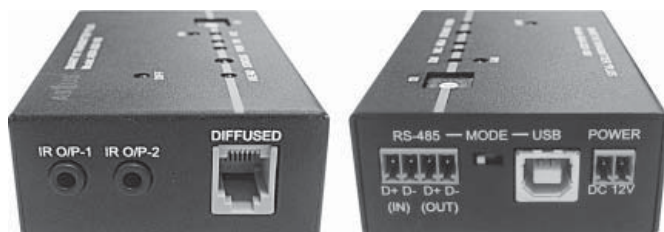


[A934-302I-100] / [A934-332I-100]

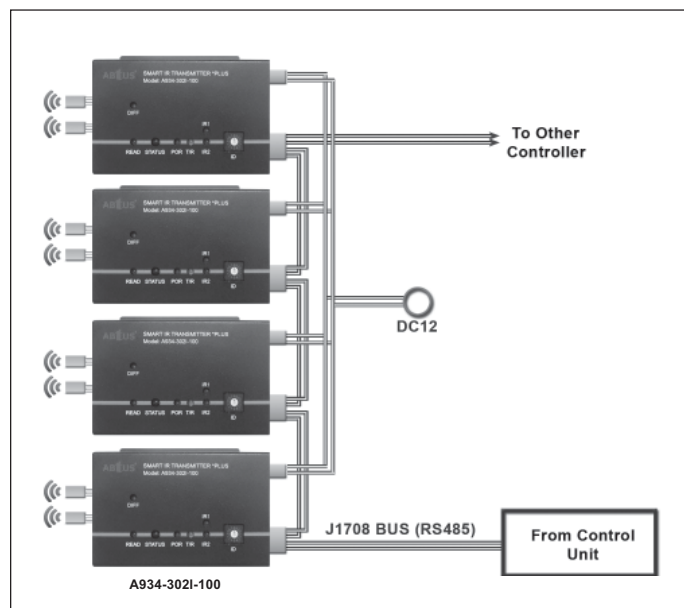
SMART IR TRANSMITTER (WITH IR LEARNING) / (WITHOUT IR LEARNING)



DESCRIPTION

Apart from its powerful infrared learning function, the ABTUS A934-302I-100 or A934-332I-100 IR transmitter, also has a large memory capacity and a special circuit design that makes IR carrier recognition possible. It has two independent infrared output designs with improved hardware programming allowing the control two of the same equipments independently which raised the flexibility and mobility of control.

With the A934-302I-100 or A934-332I-100, one can eliminate all equipment infrared remote controllers. It can also act as a centralized automated control system.



TYPICAL APPLICATIONS

Any professional control system requiring multiple lighting/dimming or environmental control.

- Schools (Media Classrooms) • Churches • Corporate Applications (Meeting Rooms)
- Home Automation • Home Theaters • Hotels In Room Control

FEATURES

- SMART Trasmmitter with IR Learning (A934-302I-100)
SMART Trasmmitter without IR Learning (A934-332I-100)
- Powerful infrared learning, ability to learn all kinds of infrared code and also simultaneously record its carrier frequency.
- Large memory:
Record up to 256 infrared codes in different formats (A934-302I-100)
Record up to 32 infrared codes in different formats (A934-332I-100)
- An independent group of infrared transmitters can be extended up to 100 meters
- Software support which clearly identified and analysis of the type of IR-code which can then store or copy to another A934-302I-100 or A934-332I-100

TECHNICAL SPECIFICATION

	[A934-302I-100]	[A934-332I-100]
INPUT VOLTAGE:	12V-DC, 350mA	12V-DC, 350mA
LED INDICATION:	Diffused, Read, Power, T/R, IR-1 and IR-2 LED indicator	Diffused, Read, Power, T/R, IR LED indicator
COMMUNICATION STANDARD:	RS485/USB Selectable	RS485/RS-232 Selectable
COM PORT:	1 x RS485 Input 1 x RS485 Output 1 x USB type B	1 x RS485 Input 1 x RS485 Output
COMMUNICATION DISTANCE:	100m	100m
I/O PORT:	2 x IR 3.5mm min jack 1 x RJ11 (*Diffused out)	1 x IR 3.5mm min jack
MEMORY:	256 infrared codes	32 infrared codes
NUMBER ID SETTING:	16	16
DIMENSIONS	93 x 60 x 26 mm	75 x 46 x 26 mm
WEIGHT:	110g	110g
ACCESSORIES:	AC-DC Power Adaptor 12V-DC, 350mA 2 x IR probe 1 x 2 Pin terminal block 1 x 4 Pin terminal block	AC-DC Power Adaptor 12V-DC, 350mA 1 x IR probe 1 x 2 Pin terminal block 1 x 3 Pin terminal block

* Specifications are subject to change without notice.

ABTUS