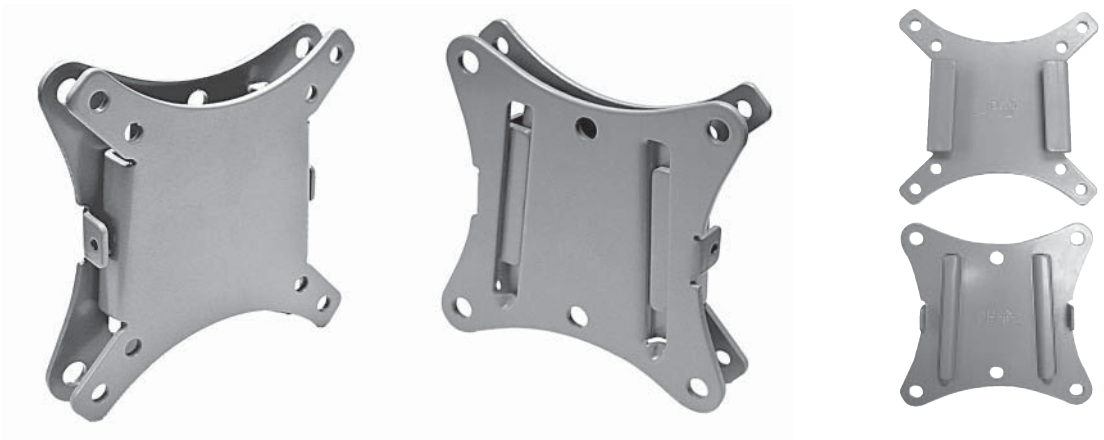


# AV607-F

## LCD MONITOR WALL MOUNT (FIXED)



### DESCRIPTION

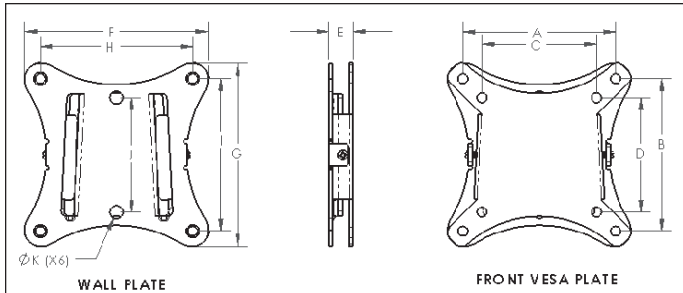
AV607-F LCD Monitor Wall Mount is stylish, durable and easy to install. ABtUS Universal LCD Monitor Wall Mount AV607-F supports any 10" – 23" flat panels. Its ultra sleek design provides the ultimate wall mounting solution that is very safe and discreet, keeping the panel 16mm away from the wall.

### FEATURES

- Quick and easy installation
- Includes hardware mounting kit
- Economical mounting solution
- Light weight
- Security screws
- Quick slide-install, fixed mount
- VESA standard 75/100 compliant

### TECHNICAL SPECIFICATION

<b>SUITABLE SIZE:</b>	10" to 23" LCD Monitor
<b>OVERALL DIMENSION:</b>	120 x 120 x 16.0 (mm)
<b>GROSS WEIGHT:</b>	0.5kg (1.1lbs)
<b>DISTANCE FROM WALL:</b>	16mm (0.63")
<b>LOAD CAPACITY:</b>	20kg (44 lbs)
<b>COLOR OPTION:</b>	Grey



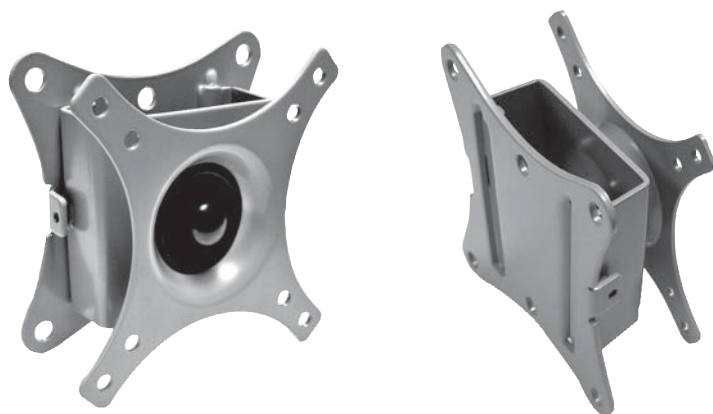
	mm	inch
A	100	3.94"
B	100	3.94"
C	75	2.95"
D	75	2.95"
E	16	0.63"
F	120	4.72"
G	120	4.72"
H	100	3.94"
I	100	3.94"
J	75	2.95"
K	8.5	0.33"

\* Specifications are subject to change without notice.



# AV607-T

## LCD MONITOR WALL MOUNT (TILT)



### DESCRIPTION

AV607-T LCD Monitor Wall Mount is stylish, durable and easy to install.

ABtUS Universal LCD Monitor Wall Mount AV607-T supports any 10" – 23" flat panels. Its ultra sleek design provides the ultimate wall mounting solution that is very safe and discreet, keeping the panel 44mm away from the wall.

### FEATURES

- Quick and easy installation
- Includes hardware mounting kit
- Economical mounting solution
- Light weight
- Security screws
- Quick slide-install, tilt mount/fixed mount
- Ball-joint design allows all direction rotation
- VESA standard 75/100 compliant

### TECHNICAL SPECIFICATION

**SUITABLE SIZE:** 10" to 23" LCD Monitor

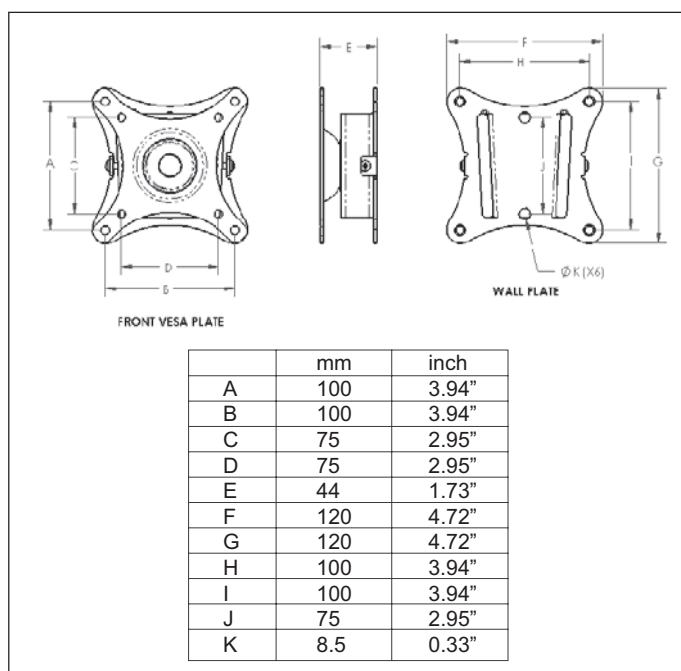
**OVERALL DIMENSION:** 120 x 120 x 44 (mm)

**GROSS WEIGHT:** 0.8kg (1.76 lbs)

**DISTANCE FROM WALL:** 44mm (1.73")

**LOAD CAPACITY:** 20kg (44 lbs)

**COLOR OPTION:** Grey



\* Specifications are subject to change without notice.

## AV601-RS

### LCD MONITOR CANTILEVER MOUNT (SINGLE ARM)



#### DESCRIPTION

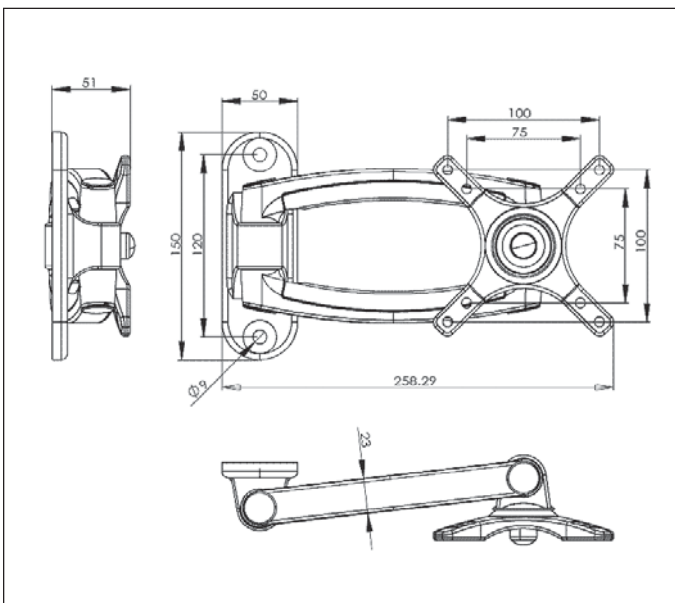
AV601-RS LCD Wall Mount is stylish, durable and easy to install. AV601-RS allows you to tilt your LCD screen upwards and downwards without changing your viewing angle. The superior design and features make mounting in tight space easy and hassle free.

#### FEATURES

- Quick and easy installation
- Hi-tech design with full versatility
- Include hardware mounting kit
- Economical mounting solution
- Cable management
- Superior flexibility and movement
- Allows maximum flexibility for installing & viewing LCD display
- Nesting arm design allows display to be folded flat against the wall
- Single Pivot arm provides full extension & 180 degrees of lateral rotation allowing multiple viewing angles
- VESA standard 75/100 compliant

#### TECHNICAL SPECIFICATION

<b>SUITABLE SIZE:</b>	10" to 23" LCD Monitor
<b>TILTING ANGLE:</b>	+/- 15 degrees
<b>SWIVEL ANGLE:</b>	+/- 20 degrees (based on 23" LCD TV) +/- 30 degrees (based on 10" LCD TV)
<b>DISTANCE FROM WALL:</b>	51mm (2")
<b>LOAD CAPACITY:</b>	20kg (44 lbs)
<b>COLOR OPTION:</b>	Dark Silver



\* Specifications are subject to change without notice.

**ABTUS**

## AV601-RW

### LCD MONITOR WALL MOUNT (FLUSH MOUNT)



#### DESCRIPTION

AV601-RW LCD Wall Mount is stylish, durable and easy to install. AV601-RW allows you to tilt your LCD screen upwards and downwards without changing your viewing angle. The superior design and features make mounting in tight space easy and hassle free.

#### FEATURES

- Quick and easy installation
- Hi-tech design with full versatility
- Include hardware mounting kit
- Economical workspace
- Cable management
- Superior flexibility and movement
- The sturdy main frame is movable smoothly even under heavy load
- VESA standard 75/100 compliant

#### TECHNICAL SPECIFICATION

**SUITABLE SIZE:** 10" to 23" LCD Monitor

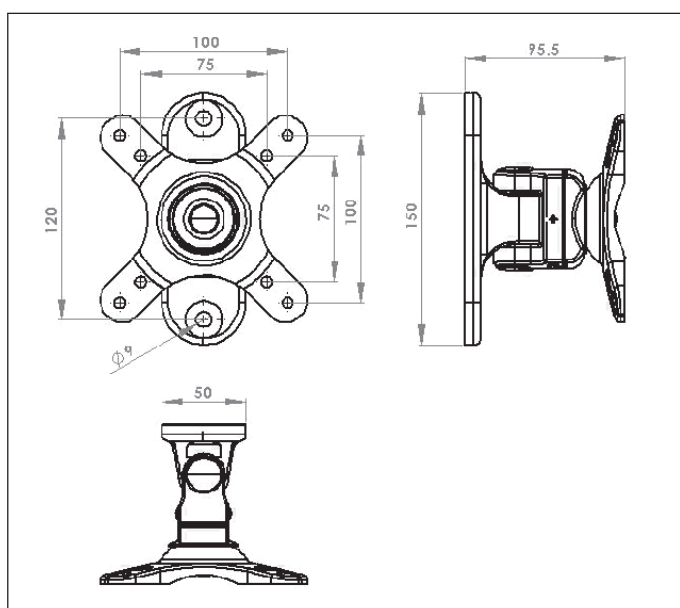
**TILTING ANGLE:** +/- 15 degrees

**SWIVEL ANGLE:** +/- 20 degrees (based on 23" LCD TV)  
+/- 30 degrees (based on 10" LCD TV)

**DISTANCE FROM WALL:** 95.5mm (3.75")

**LOAD CAPACITY:** 20kg (44 lbs)

**COLOR OPTION:** Dark Silver or Chrome



\* Specifications are subject to change without notice.

# AV601-D

## LCD MONITOR CANTILEVER MOUNT (DOUBLE ARM)



### DESCRIPTION

AV601-D LCD Monitor Cantilever Mount is stylish, durable and easy to install.

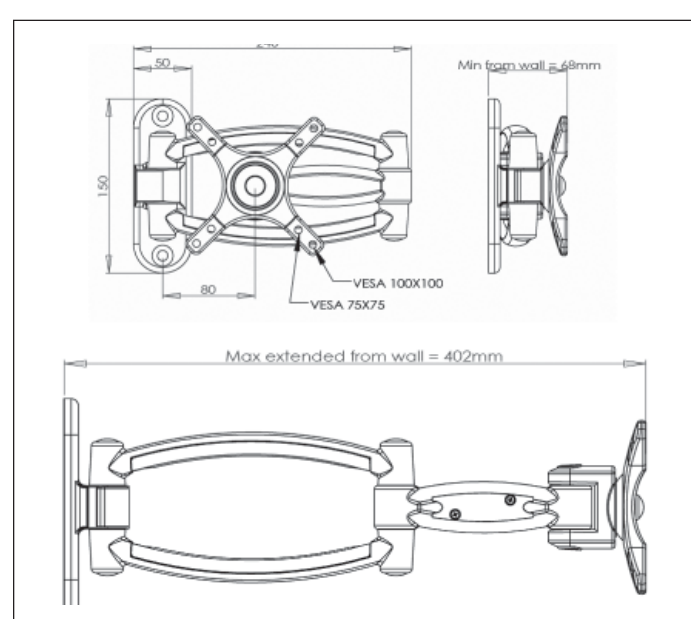
AV601-D allows you to tilt your LCD screen upwards and downwards without changing your viewing angle. The superior design and features make mounting in tight space easy and hassle free.

### FEATURES

- Quick and easy installation
- Hi-tech design with full versatility
- Include hardware mounting kit
- Cable management
- Superior flexibility and movement
- Alum casting construction
- Nesting arm design allows display to be folded flat against the wall
- The sturdy main frame is movable smoothly even under heavy load
- Double Pivot arm provides full extension & 180 degrees of lateral rotation allowing multiple viewing angles
- VESA standard 75/100 compliant

### TECHNICAL SPECIFICATION

<b>SUITABLE SIZE:</b>	10" to 19" LCD Monitor
<b>FULL EXTENDED FROM WALL:</b>	402mm
<b>DISTANCE FROM WALL:</b>	68mm (2.7")
<b>LOAD CAPACITY:</b>	15kg (33 lbs)
<b>COLOR OPTION:</b>	Chrome or Grey



\* Specifications are subject to change without notice.



## AV602-TC

### LCD MONITOR TABLE MOUNT (DOUBLE ARM)



#### DESCRIPTION

AV602-TC adds flexibility to your LCD. Simply push the side button while lifting the display, and then position it anywhere you want. Get ergonomics comfort for a great price. It is ideal for environment where the same display is shared by different users.

#### FEATURES

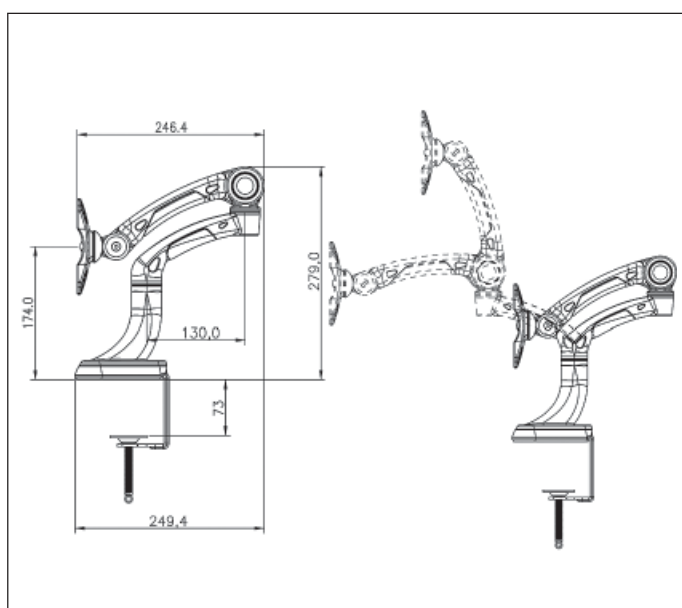
- Quick and easy installation
- Cable management
- Arms can be extended to max 385mm from where it is mounted
- Gear constructed mechanism allow front arm to be adjusted up to 250mm in height
- 360 degrees rotation allows all angle viewing.
- A pad to protect desk surface for desktop mounting.
- Suitable for desk with thickness from 25 to 70mm
- VESA standard 75/100 compliant

#### TECHNICAL SPECIFICATION

**SUITABLE SIZE:** 10" to 19" LCD Monitor

**LOAD CAPACITY:** 8kg (17.63 lbs)

**COLOR OPTION:** Dark Silver



\* Specifications are subject to change without notice.