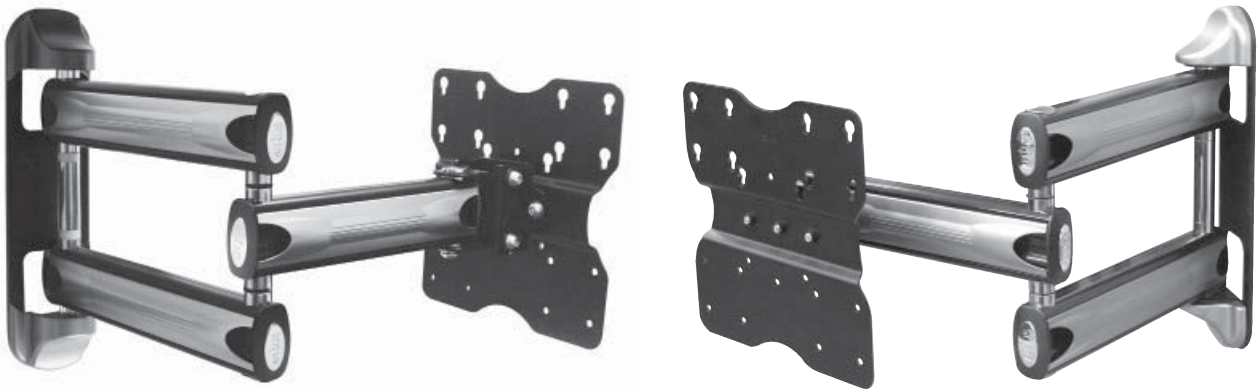


AV508-WP1

PLASMA/LCD DISPLAY CANTILEVER MOUNT



DESCRIPTION

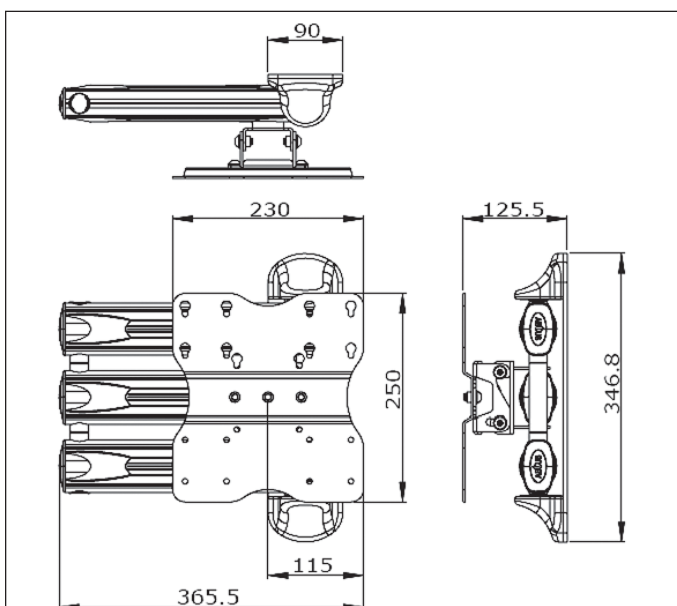
Designed for all discerning owners of their prized flat plasmas and LCDs, ABTUS AV508-WP1 Plasma/LCD Cantilever Mount support any 23" – 37" flat panels. Its ultra sleek design provides the ultimate wall mounting solution that is very safe and discreet, keeping the panel 125.5mm away from the wall.

FEATURES

- Fast and easy installation
- Includes mounting hardware kit
- Integrated cable management
- Double arm provide full extension & 180 degrees viewing angle
- VESA compliant 75 x 75, 100 x 100, 100 x 200, 200 x 200

TECHNICAL SPECIFICATION

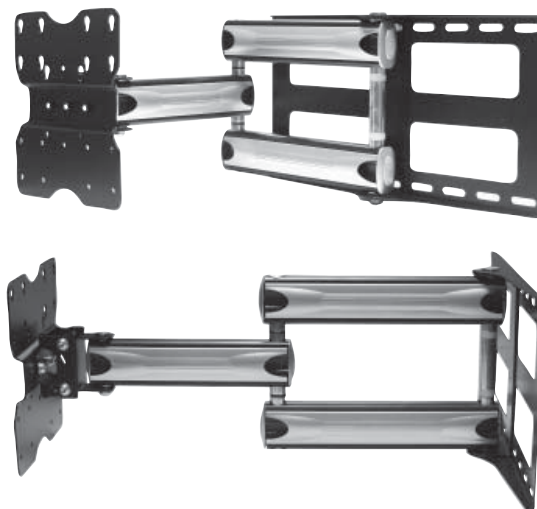
PLASMA SIZE:	Suitable for 23" to 37"
ARM SWIVEL:	180 degrees
TILT ANGLE:	-5/+15 degrees
DISTANCE FROM WALL:	125.5mm (49.4)
LOAD CAPACITY:	36.4kg (80 lbs)
COLOR OPTION:	Black



* Specifications are subject to change without notice.

ABTUS

AV508-WP5 PLASMA/LCD DISPLAY CANTILEVER MOUNT

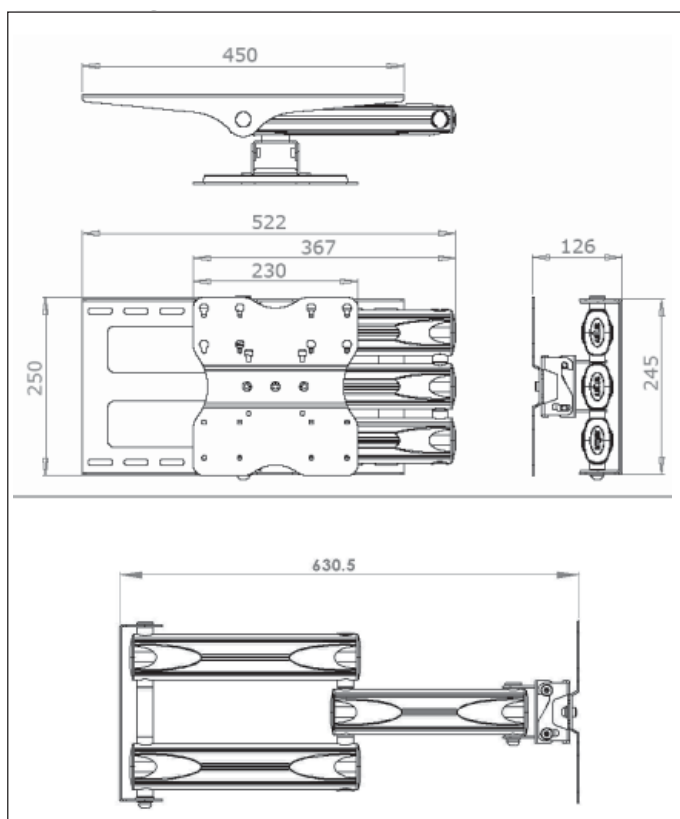


DESCRIPTION

Designed for all discerning owners of their prized flat plasmas and LCDs, ABtUS AV508-WP5 Universal Plasma/LCD Cantilever Mount support any 23" – 37" flat panels. Its ultra sleek design provides the ultimate wall mounting solution that is very safe and discreet, keeping the panel 126mm away from the wall.

FEATURES

- Fast and easy installation
- Includes mounting hardware kit
- Integrated cable management
- Double arm provide full extension & 180 degrees viewing angle
- VESA compliant 75 x 75, 100 x 100, 100 x 200, 200 x 200



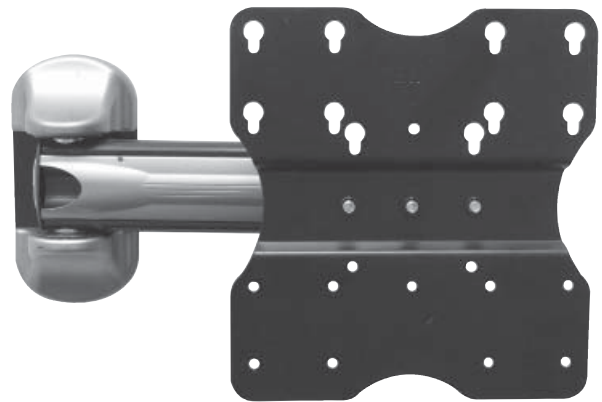
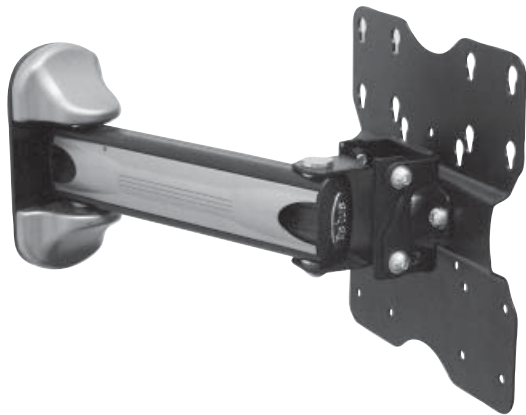
TECHNICAL SPECIFICATION

PLASMA SIZE:	Suitable for 23" to 37"
ARM SWIVEL:	180 degrees
TILT ANGLE:	-5/+15 degrees
DISTANCE FROM WALL:	126mm (49.6")
LOAD CAPACITY:	45.5kg (100 lbs)
COLOR OPTION:	Black

* Specifications are subject to change without notice.

AV508-S

PLASMA/LCD DISPLAY SINGLE ARM CANTILEVER MOUNT

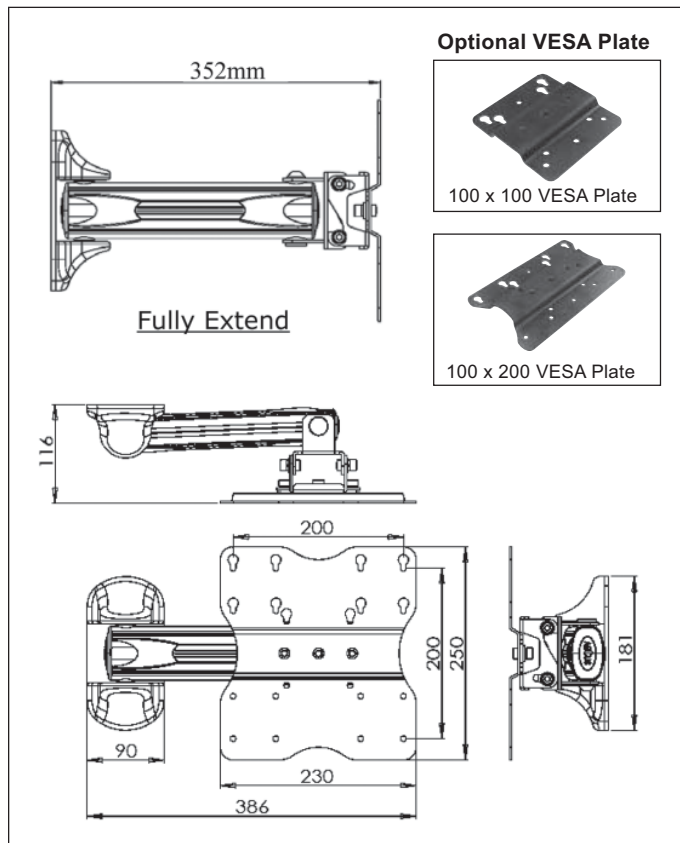


DESCRIPTION

This single arm cantilever mount is designed for narrow or congested space such as corner or small room. Its arm allow all angle swing for total flexibility for the display mounting.

FEATURES

- Fast and easy installation
- Single arm provide 180 degrees viewing angle
- Includes mounting hardware kit
- Integrated cable management
- Locking bars for security
- VESA compliant: VESA 75x75, 100x100, 100x200, 200x200



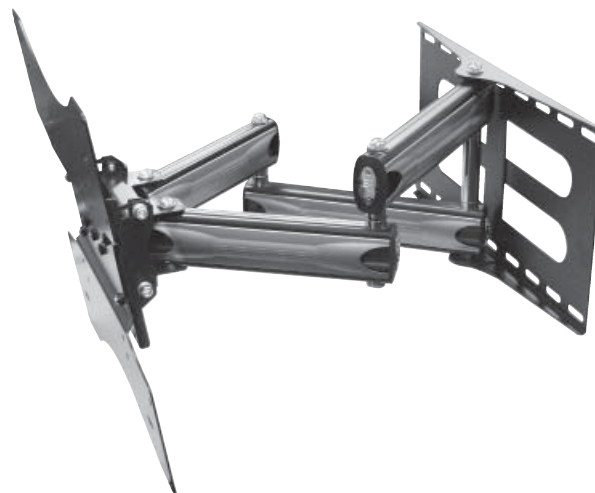
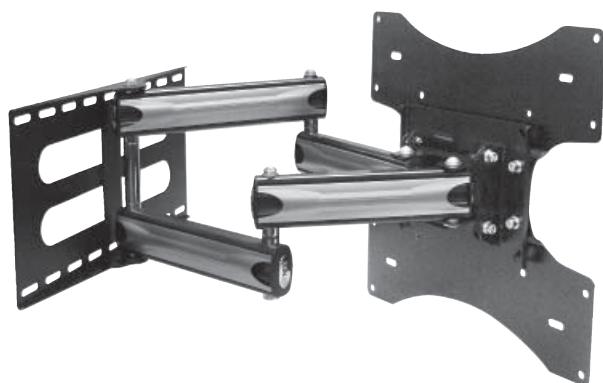
TECHNICAL SPECIFICATION

PLASMA SIZE:	Suitable for 23" to 37"
GROSS DIMENSION:	386mm x 250mm x 116mm 15.2" x 9.8" x 4.5"
ARM SWIVEL:	180 degrees
TILT ANGLE:	-5/+15 degrees
DISTANCE FROM WALL:	116mm (4.5")
GROSS WEIGHT:	4kg (8.8 lbs)
LOAD CAPACITY:	36kg (80 lbs)
COLOR OPTION:	Black

* Specifications are subject to change without notice.

AV508-DV

PLASMA/LCD DISPLAY DOUBLE ARM CANTILEVER MOUNT



DESCRIPTION

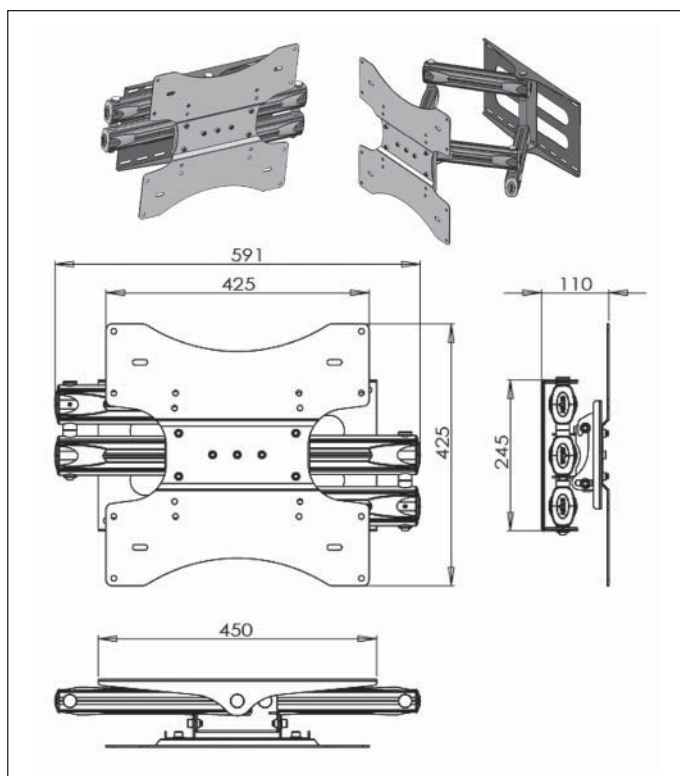
This double arm cantilever mount is designed with 4 arms for more stable and smoother movement. It comes with a front plate with varies VESA mounting standard.

FEATURES

- Fast and easy installation
- Integrated cable management
- Includes mounting hardware kit
- Aluminum arms with steel plate construction
- VESA compliant: VESA 400x400, 400x200, 300x300, 300x320, 200x200

TECHNICAL SPECIFICATION

PLASMA SIZE:	Suitable for 37" to 50"
GROSS DIMENSION:	591mm x 425mm x 110mm 23.2" x 9.8" x 4.3"
ARM SWIVEL:	+/-20 degrees
TILT ANGLE:	+8/-6 degrees
DISTANCE FROM WALL:	110mm (4.3")
GROSS WEIGHT:	4kg (8.8 lbs)
LOAD CAPACITY:	50kg (110 lbs)
COLOR OPTION:	Black



* Specifications are subject to change without notice.

AV508-D

PLASMA/LCD DISPLAY DOUBLE ARM CANTILEVER MOUNT

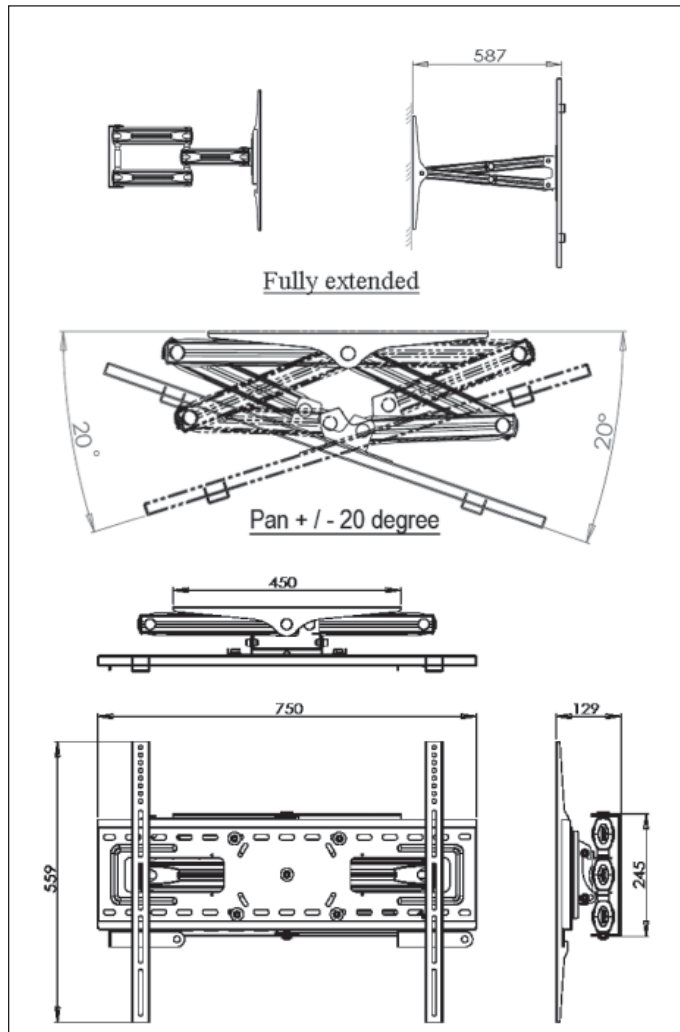


DESCRIPTION

Designed for all discerning owners of their prized flat plasmas and LCDs, ABtUS AV508-D Universal Plasma/LCD Double Arm Cantilever Mount support any 37" – 50" flat panels. Its ultra sleek design provides the ultimate wall mounting solution that is very safe and discreet, keeping the panel 100mm away from the wall.

FEATURES

- Fast and easy installation
- Arm swivel
- Tilt angle +8/-6 degrees
- Includes mounting hardware kit
- Integrated cable management
- Locking bars for security
- Lift and hook installation



TECHNICAL SPECIFICATION

PLASMA SIZE: Suitable for 38" to 50"

WALL PLATE DIMENSION: 750mm (29.5") x 559mm (22")

DISTANCE FROM WALL: 100mm (3.9")

LOAD CAPACITY: 60kg (132 lbs)

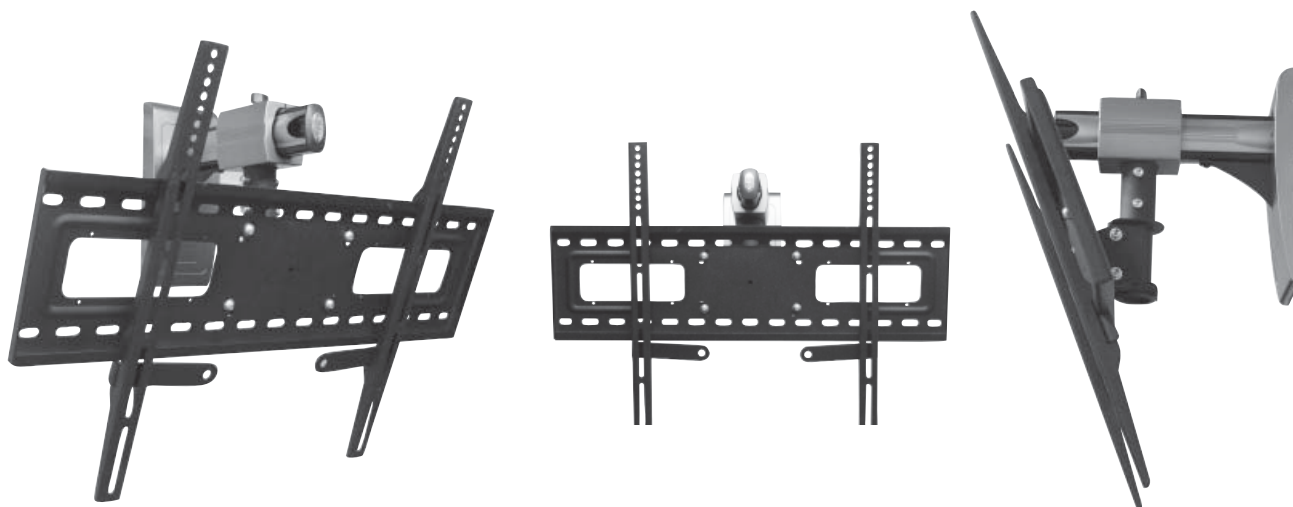
COLOR OPTION: Black

* Specifications are subject to change without notice.

ABtUS

AV509

PLASMA/LCD DISPLAY WALL MOUNT

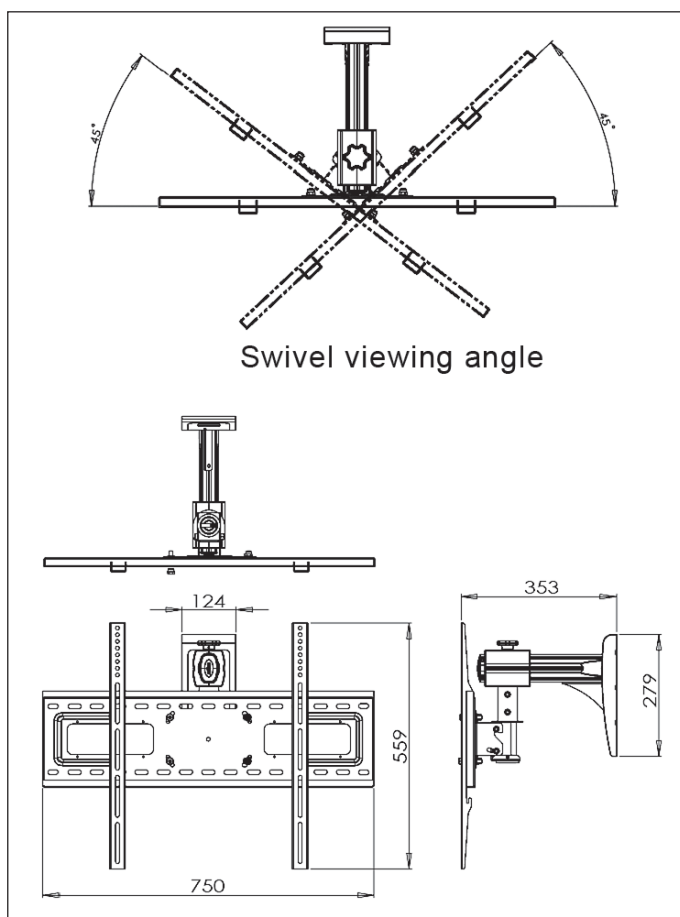


DESCRIPTION

Designed for all discerning owners of their prized flat plasmas and LCDs, ABTUS AV509 Universal Plasma/LCD Wall Arm Mount support any 32" – 42" flat panels. Its ultra sleek design provides the ultimate wall mounting solution that is very safe and discreet, keeping the panel 353mm away from the wall.

FEATURES

- Fast and easy installation
- Tilt angle optional
- Includes mounting hardware kit
- Integrated cable management
- Locking bars for security
- Include Rotating Attachment for 360 degrees rotation



TECHNICAL SPECIFICATION

PLASMA SIZE: Suitable for 32" to 42"

WALL PLATE DIMENSION: 750mm (29.5") x 559mm (22")

DISTANCE FROM WALL: 353mm (13.9")

LOAD CAPACITY: 36.5kg (80 lbs)

COLOR OPTION: Black

* Specifications are subject to change without notice.