

AV382-V1

PLASMA/LCD DISPLAY MOBILE STAND ECONOMY VERSION



DESCRIPTION

This mobile stand come in DIY style for convenient transportation and shipping. It is mounted with castor wheels to allow easy and flexible movement. Optional glass shelf for DVD player can be fixed on either side or both sides of pole.

FEATURES

- Fast and easy installation
- Fixed Hooks
- Heavy duty PU Castor wheels mounted for easy movement
- Two mounting position for Plasma viewing height
- Glass shelving (optional)
- Includes mounting hardware kit

TECHNICAL SPECIFICATION

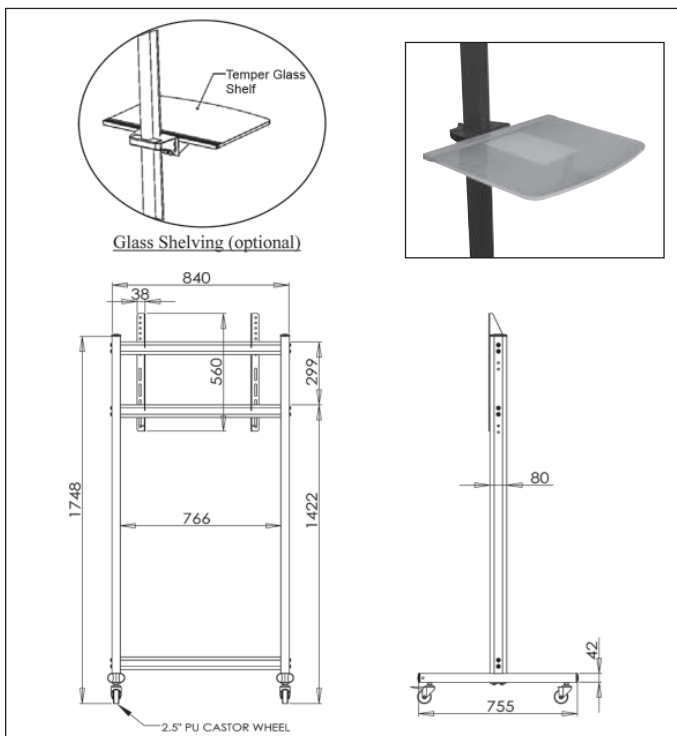
PLASMA SIZE: Suitable for 37"-60"
[note: for 50"-60", please ensure the mounting holes are within the stand hooking area]

BASE DIMENSION (W x D x H) : 780 x 750 x 1755 mm /
30.70" x 29.52" x 69.09"

LOAD CAPACITY: 50kg (110 lbs)

GROSS WEIGHT (Approx.): 22.5kg (49.5 lbs)

COLOR OPTION: Black



* Specifications are subject to change without notice.

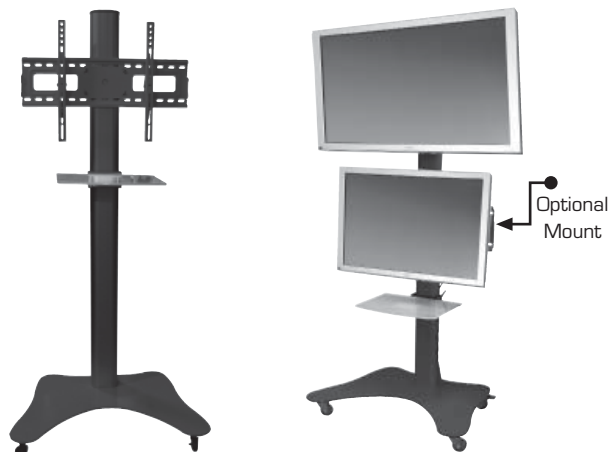
ABTUS

AV383W6 & AV383W6-V1

PLASMA/LCD DISPLAY MOBILE STAND



AV383W6 (Silver)



AV383W6-V1 (Black)

DESCRIPTION

Why mount your stylish plasma display on the wall like everyone else does, when you can use our stand to show it off, to make it mobile and move it wherever you want to watch it? Our stand is easy to install and dismantle with flexible viewing angles and study locking devices. It also allows you to display your other high-end video/audio equipment.

FEATURES

- Fast and easy installation
- Sleek & Stylish Anodised Aluminum Design
- Universal to wide range of plasma display
- Tilt hooks
- Castor wheels mounted for easy moving around
- Easy cable management
- Easy adjustment for viewing height
- Include mounting hardware kit
- Locking system for security
- One adjustable shelf for video/audio player & accessories

TECHNICAL SPECIFICATION

PLASMA SIZE: Suitable for 37" -50"

BASE DIMENSION (W x D x H): 880 x 660 x 108 mm /
35.85" x 25.98" x 4.25"

POST HEIGHT: 1800mm(6ft)

MAX. SCREEN HEIGHT: 1670mm(66")

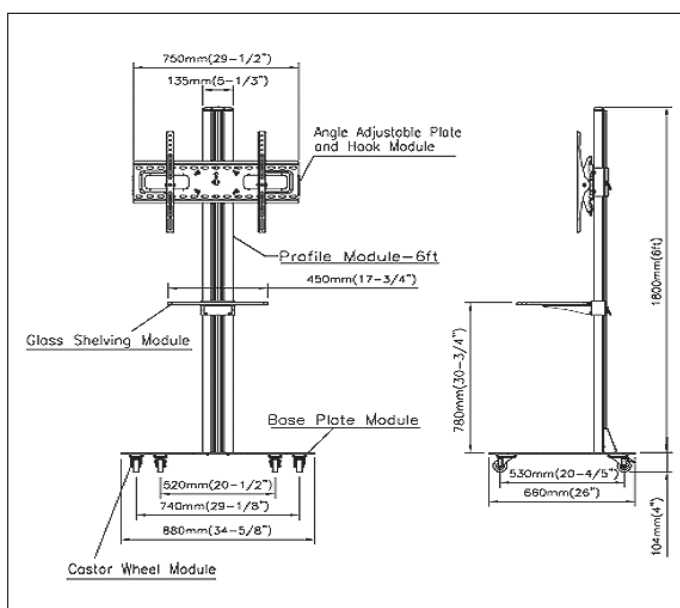
LOAD CAPACITY: 45kg (100 lbs)

NET WEIGHT (Approx.): 60kg (132 lbs)

GROSS WEIGHT (Approx.): 65kg (143 lbs)

ANGLE ADJUSTMENT: 20° max

COLOR OPTION: Grey and Black



* Specifications are subject to change without notice.

AV383-D DUAL DISPLAY MOBILE STAND



DESCRIPTION

Now You Can Move It Where You Want & When You Want

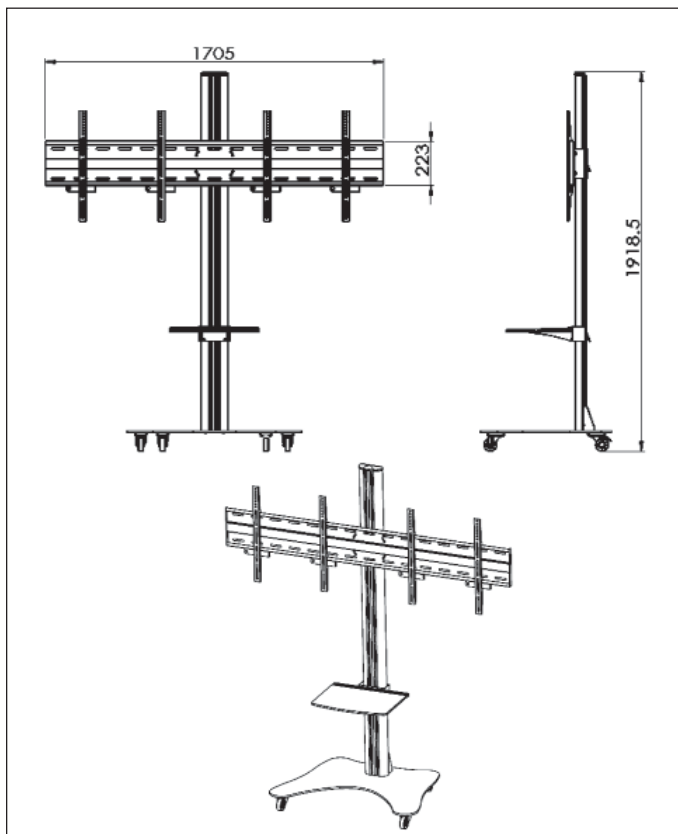
Why mount your stylish plasma display on the wall like everyone else does, when you can use our stand to show it off, to make it mobile and move it wherever you want to watch it? Our stand is easy to install and dismantle with flexible viewing angles and study locking devices. It also allow you to display your other high-end video/audio equipment.

FEATURES

- Quick and easy installation
- Shelving for Audio/DVD player
- Castor wheels mounted for easy moving around
- Cable management
- Adjustment for viewing height
- Include mounting hardware kit

TECHNICAL SPECIFICATION

PLASMA SIZE:	Suitable for 40" -46"
BASE DIMENSION (W x D x H) :	880 x 660 x 108 mm / 35.85" x 25.98" x 4.25"
POST HEIGHT:	1918.5mm (6.3ft)
MAX. SCREEN HEIGHT:	1670mm(66")
LOAD CAPACITY:	80kg (176 lbs)
NET WEIGHT (Approx.):	65kg (143 lbs)
GROSS WEIGHT (Approx.):	70kg (154 lbs)
COLOR OPTION:	Grey and Black



* Specifications are subject to change without notice.

ABTUS

AV890-MSH

FLOOR STAND FOR INTERACTIVE WHITEBOARD



DESCRIPTION

This DIY style floor stand is designed to suit most interactive whiteboards, especially Hitachi Starboard model FX-77 and FX-DUO-77. It comes with black powder coating and it fixed with castor wheels (with brake) for easy movement. It also comes with optional items AV890-AT attachment and AV890-610 projector arm for a full interactive whiteboard system solution.

FEATURES

- Fast and easy installation
- For HITACHI StarBoard model FX-77, FX-DUO-77
- Optional items for Attachment and Projector Arm
- Floor Stand wheeled with 2" castor wheels for easy movement

TECHNICAL SPECIFICATION

FLOOR STAND OVERALL DIMENSION (L x H x D): 1245.5 x 1650 x 580mm

FLOOR STAND WITH OPTIONAL ITEMS OVERALL DIMENSIONS (L x H x D): 1245.5 x 2500 x 780mm

GROSS WEIGHT FOR STAND: 17.2kg (37.9")

GROSS WEIGHT FOR ATTACHMENT: 8.6kg (18.9")

GROSS WEIGHT FOR PROJECTOR ARM: 5.6kg (12.3")

MAX. HEIGHT TO TOP OF BOARD : 2100mm (82.6")

COLOR OPTION: Black

