

AV813

PROJECTOR CEILING MOUNT



DESCRIPTION

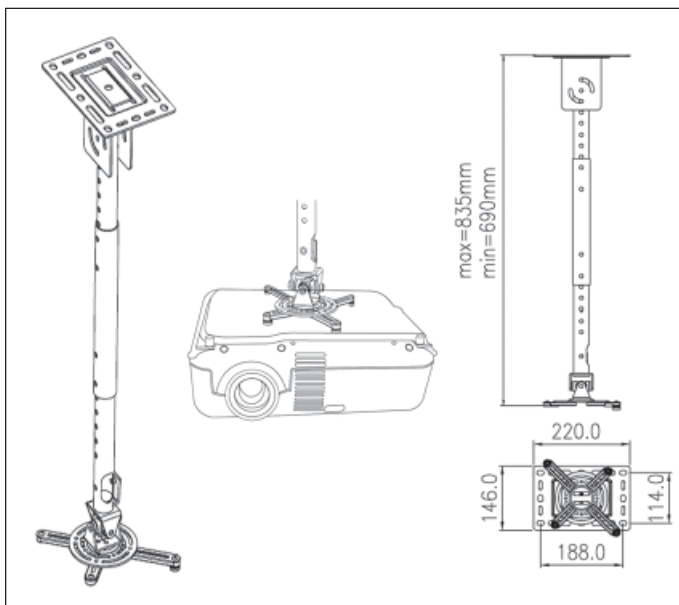
Its extremely flexible design allows you to fit almost any popular projector in the industry under 44 lbs (20kg). It is featured with 2 different length of extension arms that allows flexible positioning to fit almost any projector mounting point. With these extensions, arms position around lamp and filter have easy access/maintenance to maximize lamp life. With spacers provided, the mount is able to adapt to any projector base, no matter how oddly shaped, to maintain a level installation.

FEATURES

- Fast and easy installation
- Ceiling-mount capability
- Extremely flexible design allow to fit almost all popular projectors
- Quick release universal mount for Projector
- 360 degrees Rotate for Projector
- +/- 20 degrees Tilt and Roll for Projector
- Adjustable-height from 11.42" to 32" (290mm-810mm)
- Cable-routing channel for a clean look
- Cable management

TECHNICAL SPECIFICATION

GROSS WEIGHT:	4.3kg (9.2 lbs)
GROSS DIMENSION:	430 X 150 X 100 mm 17" x 6" x 4" inch
EXTENDABLE LENGTH WITH OPTIONAL ROD:	700 mm Ø 35mm & Ø 40mm
LOAD CAPACITY:	20kg (44 lbs)
COLOR OPTION:	Black



* Specifications are subject to change without notice.

AV815

PROJECTOR CEILING MOUNT



DESCRIPTION

The AV815 Ultimate Universal LCD projector mount is designed for top professional installers who want the most cost effective mounting solution for their projector installation. Designed to fit almost any popular projector under 15kgs (33lbs), the AV815 comes preassembled for quick and easy installation at any location. The new design allows cable management, providing a clean and uncluttered look.

This Robust construction allows the universal LCD Projector mount to be precisely positioned in almost any angle.

FEATURES

- Fast and easy installation
- Ceiling-mount capability
- Adjustable Height
- Extremely flexible design allow to fit almost all popular projectors
- Quick release universal mount for Projector
- 60 degrees Rotate for Projector
- +/- 20 degrees Tilt and Roll for Projector
- Pitching upwards and downward up to 20 degrees
- Cable-routing channel for a clean look
- Cable management
- Adaptable to different projectors

TECHNICAL SPECIFICATION

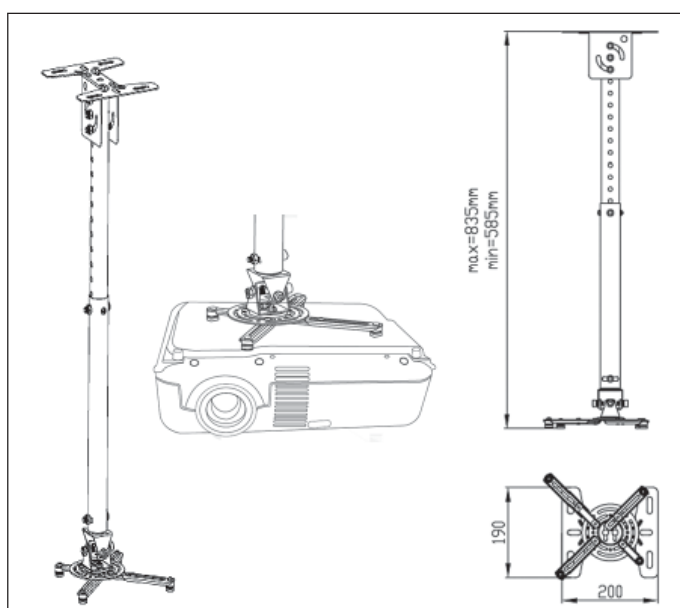
GROSS WEIGHT: 2.7kg (6 lbs)

GROSS DIMENSION: 420 X 200 X 120 mm |
16.5" x 8" x 5"

EXTENDABLE LENGTH WITH OPTIONAL ROD: 900 mm Ø 38mm & Ø 42mm

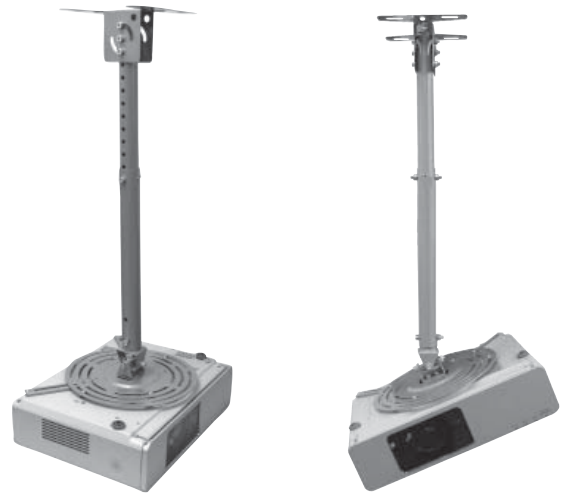
LOAD CAPACITY: 15kg (33 lbs)

COLOR OPTION: Black or Silver



* Specifications are subject to change without notice.

AV815M PROJECTOR MOUNTING PLATE



DESCRIPTION

This features 2 different length of extension arms that allows flexible positioning to **PANASONIC PT-F100, PT-F200, PT-F300** projector mounting point. With these extensions, arms position around lamp and filter have easy access/maintenance to maximize lamp life. With spacers provided, the mount is able to adapt to projector base, no matter how oddly shaped, to maintain a level installation.

FEATURES

- Fast and easy installation
- Designed for medium size projector
- To be used combination with AV815 Projector Ceiling Mount
- Quick release universal mount for Projector
- 60 degrees Rotate for Projector
- +/- 20 degrees Tilt and Roll for Projector
- Cable management

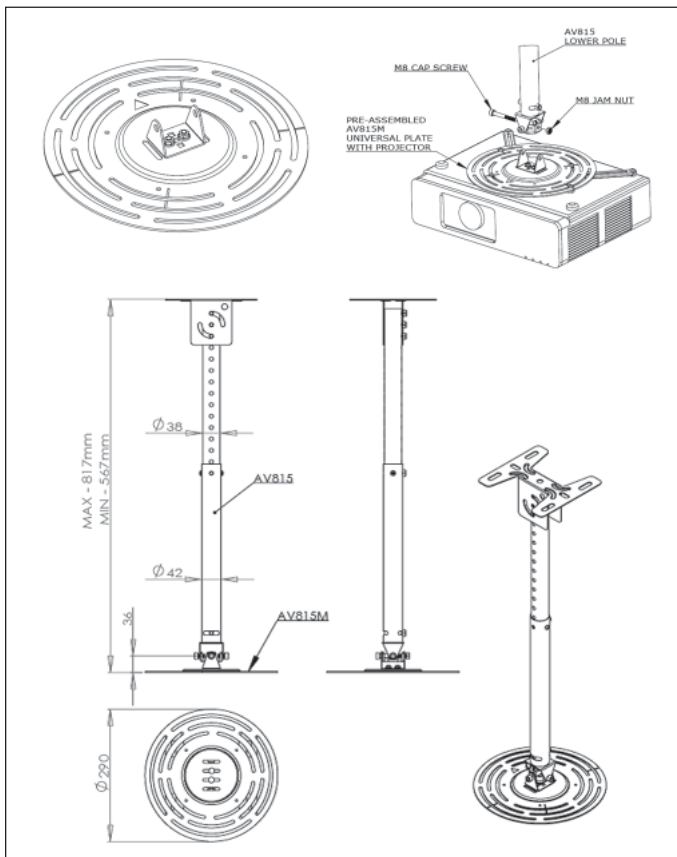
TECHNICAL SPECIFICATION

SUITABLE PROJECTOR: PANASONIC PT-F100, PT-F200, PT-F300

HEIGHT ADJUSTMENT: Max: 817mm or Min: 567mm

LOAD CAPACITY: 20kg (44 lbs)

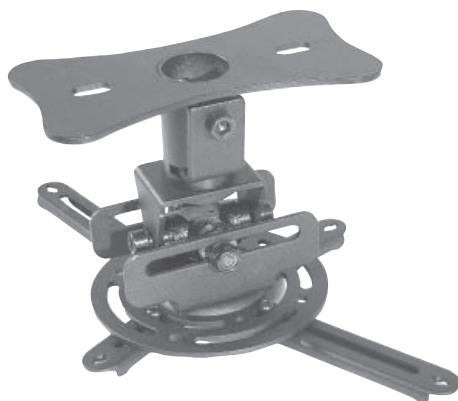
COLOR OPTION: Silver



* Specifications are subject to change without notice.

AV817

PROJECTOR FLUSH CEILING MOUNT



DESCRIPTION

A Built-In Low-Profile Option

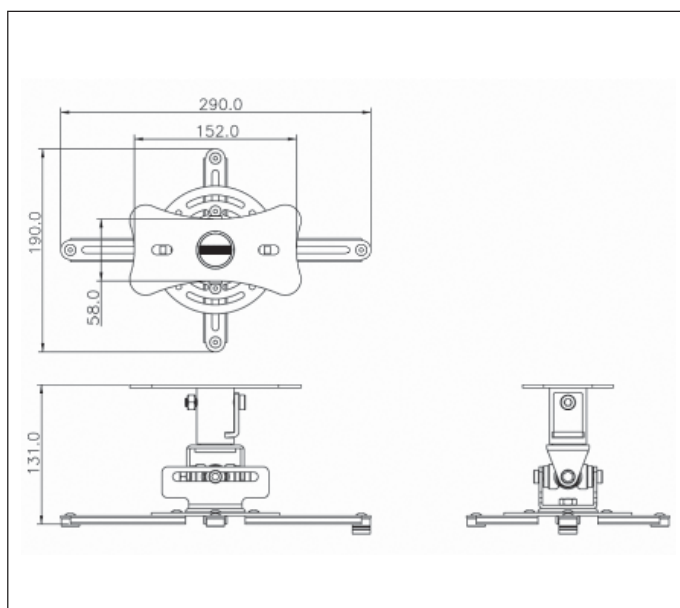
More AV817 Universal Projector Flush Mounts are installed in offices and home than any other mounts. As it gives you everything you would need for a quick, easy installation, low-profile look and hassle-free projector maintenance.

FEATURES

- Fast and easy installation
- Great flexibility and adaptability
- Flush ceiling mount
- Quick release universal mount for Projector
- 360 degrees Rotate for Projector
- +/- 20 degrees Tilt and Roll for Projector
- Concealed cable
- Adaptable to different projector

TECHNICAL SPECIFICATION

GROSS WEIGHT:	2.1kg (6 lbs)
GROSS DIMENSION:	170 X 140 X 130 mm 16.5" x 8" x 5"
LOAD CAPACITY:	20kg (44 lbs)
COLOR OPTION:	Black



* Specifications are subject to change without notice.

AV113

PROJECTOR CEILING MOUNT HEAVY DUTY



DESCRIPTION

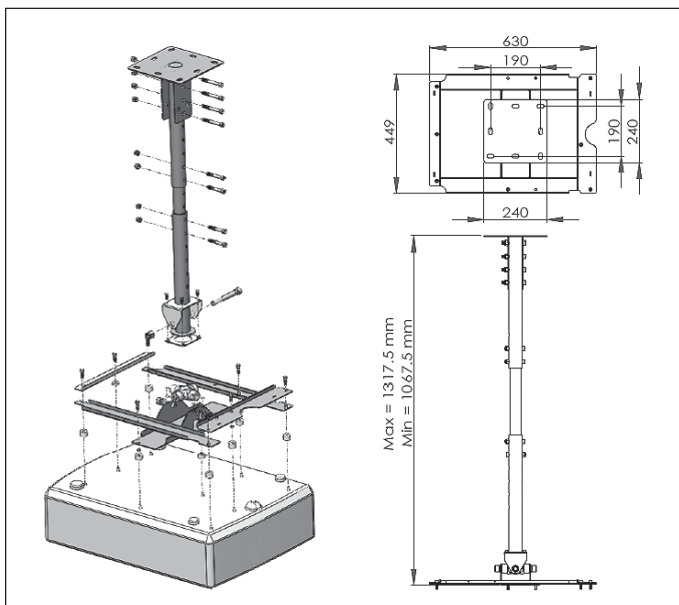
AV113 is a heavy duty projector ceiling mount with long and bigger connection rod specially designed for large projectors including **EIKI Model:** (LC-XT3 / LC-XT4 / LC-XT5); **SANYO Model:** (PLC-XF45, PLC-XF46N, PLC-XF47); **CHRISTIE Model:** (Road Runner LX100, LX120, LX1500), suitable to install in-house for large meeting room and hall etc.

FEATURES

- Fast and easy installation
- For large Projectors:
 [EIKI LC-XT3, LC-XT4, LC-XT5];
 [SANYO PLC-XF45, PLC-XF46N, PLC-XF47]
 [CHRISTIE Road Runner LX100, LX120, LX1500]
- 360 degrees Rotate for Projector
- +/- 20 degrees Tilt and Roll for Projector

TECHNICAL SPECIFICATION

GROSS WEIGHT:	12.2kg (26.9 lbs)
GROSS DIMENSION:	Package 1 (646 x 175 x 110mm) Package 2 (645 x 265 x 235mm)
EXTENDABLE LENGTH:	900 (Optional)
LOAD CAPACITY:	30kg (66.1 lbs)
COLOR OPTION:	Black



* Specifications are subject to change without notice.

AV890-610

SHORT THROW PROJECTOR WALL MOUNT



DESCRIPTION

AV890-610 is a stylish wall arm for mounting of short-throw projector on wall. It includes a universal head mount for fixing most of the popular brand of projectors. It is able to adjust the projection distance by sliding along the arm and lock the position with a hand knob.

FEATURES

- Fast and easy installation
- For Short-throw Projector
- Quick release universal mount for Projector
- 360 degrees Rotate for Projector
- +/- 20 degrees Tilt and Roll for Projector
- Adjustable distance Max 560mm from wall
- Cable management
- Steel with Alum Arm construction
- Includes mounting hardware kit

TECHNICAL SPECIFICATION

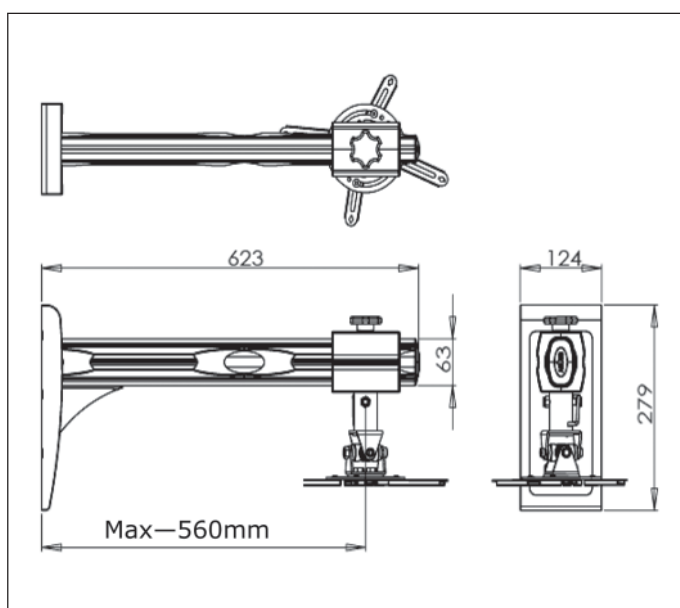
GROSS WEIGHT: 5.3kg [11.7lbs]

GROSS DIMENSION: 623 x 124 x 279 mm |
24.5" x 4.8" x 10.9"

DISTANCE FROM PROJECTOR TO WALL: Max. 560mm

LOAD CAPACITY: 10kg [22 lbs]

COLOR OPTION: Black



* Specifications are subject to change without notice.

AV890-1500

SHORT THROW PROJECTOR WALL MOUNT



DESCRIPTION

AV890-1500 is a stylish wall arm with 1.5 meter long for mounting short-throw projector with long projection distance. Its universal head mount can fix most popular brands of projector. Projection distance can be adjust by sliding along the arm and lock the position with a hand knob.

FEATURES

- Fast and easy installation
- For Short-throw Projector
- Quick release universal mount for Projector
- 360 degrees Rotate for Projector
- +/- 20 degrees Tilt and Roll for Projector
- Adjustable distance Max 1460mm from wall
- Cable management
- Steel with Alum Arm construction
- Includes mounting hardware kit

TECHNICAL SPECIFICATION

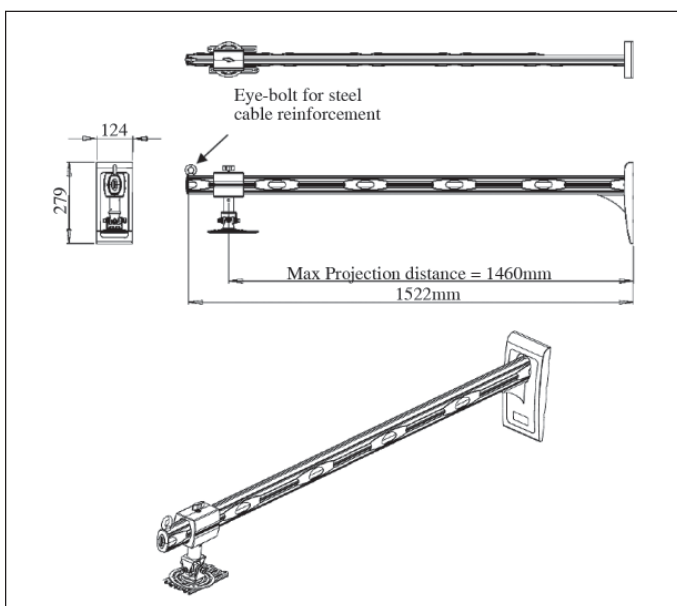
GROSS WEIGHT: 8.7kg [19.1lbs]

GROSS DIMENSION: 1522 x 124 x 279 mm |
59.9" x 4.8" x 10.9"

DISTANCE FROM PROJECTOR TO WALL: Max. 1460mm

LOAD CAPACITY: 10kg [22 lbs]

COLOR OPTION: Black



* Specifications are subject to change without notice.

ABTUS

AV891-610

SHORT THROW PROJECTOR WALL MOUNT



DESCRIPTION

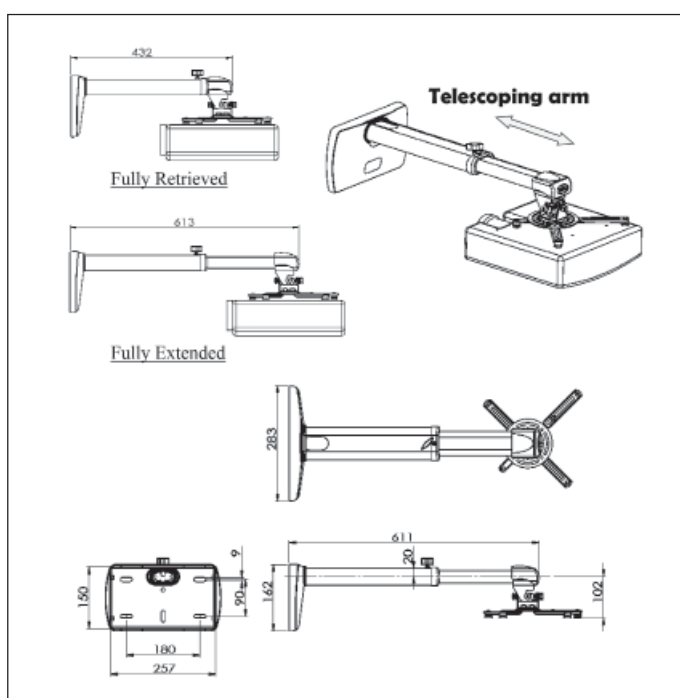
AV891-610 is a stylish wall arm for mounting of short-throw projector on wall. It includes a universal head mount for fixing most popular brands of projector. It is able to adjust the projection distance by sliding along the arm and lock the position with a hand knob.

FEATURES

- Fast and easy installation
- For Short-throw Projector
- Quick release universal mount for Projector
- +/- 20 degrees Tilt and Roll for Projector
- Telescoping arm provide adjustment from Min.432mm to Max.613mm from wall
- Cable management
- Steel construction
- Includes mounting hardware kit

TECHNICAL SPECIFICATION

GROSS WEIGHT:	4.5kg [9.9 lbs]
GROSS DIMENSION:	(460 x 315 x 205)mm
DISTANCE FROM PROJECTOR WALL:	Min. 432mm Max.613mm
LOAD CAPACITY:	10kg [22 lbs]
COLOR OPTION:	White Grey



* Specifications are subject to change without notice.

AV891-1500

SHORT THROW PROJECTOR WALL MOUNT



DESCRIPTION

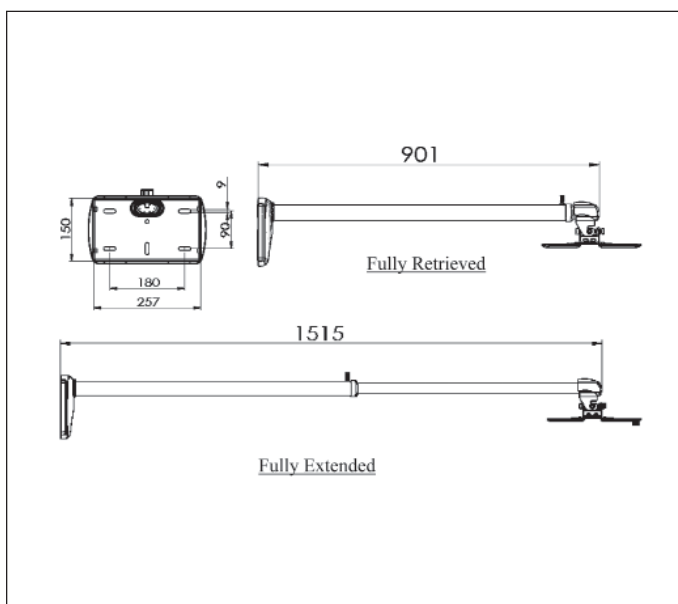
AV891-1500 is a stylish wall arm with 1.5 meter long for mounting of short-throw projector on wall. It includes a universal head mount for fix most popular brands of projector. It is able to adjust the projection distance by sliding along the arm and lock the position with a hand knob.

FEATURES

- Fast and easy installation
- For Short-throw Projector
- Quick release universal mount for Projector
- +/- 20 degrees Tilt and Roll for Projector
- Telescoping arm provide adjustment from Min.901mm to Max.1515mm from wall
- Cable management
- Steel construction
- Includes mounting hardware kit

TECHNICAL SPECIFICATION

GROSS WEIGHT:	6.8kg (15 lbs)
GROSS DIMENSION:	(920 x 315 x 205)mm
DISTANCE FROM PROJECTOR WALL:	Min. 901mm Max.1515mm
LOAD CAPACITY:	10kg (22 lbs)
COLOR OPTION:	White grey



* Specifications are subject to change without notice.

ABTUS

AV891WS-610

SHORT THROW PROJECTOR WALL MOUNT



DESCRIPTION

AV891WS-610 is a stylish wall arm for mounting of short-throw projector on wall. It includes a universal head mount for fixing most popular brands of projector. It is able to adjust the projection distance by sliding along the arm and lock the position with a hand knob.

FEATURES

- Fast and easy installation
- For Short-throw Projector
- Quick release universal mount for Projector
- +/- 20 degrees Tilt and Roll for Projector
- Telescoping arm provide adjustment from Min.432mm to Max.613mm from wall
- Cable management
- Steel construction
- Includes mounting hardware kit

TECHNICAL SPECIFICATION

GROSS WEIGHT: 6kg (13.2 lbs)

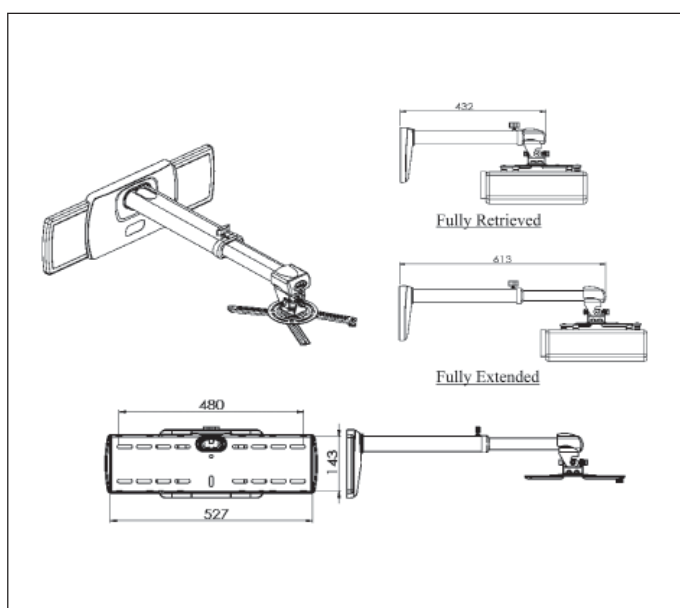
GROSS DIMENSION: (570 x 460 x 205)mm

DISTANCE FROM PROJECTOR WALL: Min. 432mm | Max.613mm

WALL STUD DISTANCE: 18"

LOAD CAPACITY: 10kg (22 lbs)

COLOR OPTION: White grey



* Specifications are subject to change without notice.

AV891WS-1500

SHORT THROW PROJECTOR WALL MOUNT



DESCRIPTION

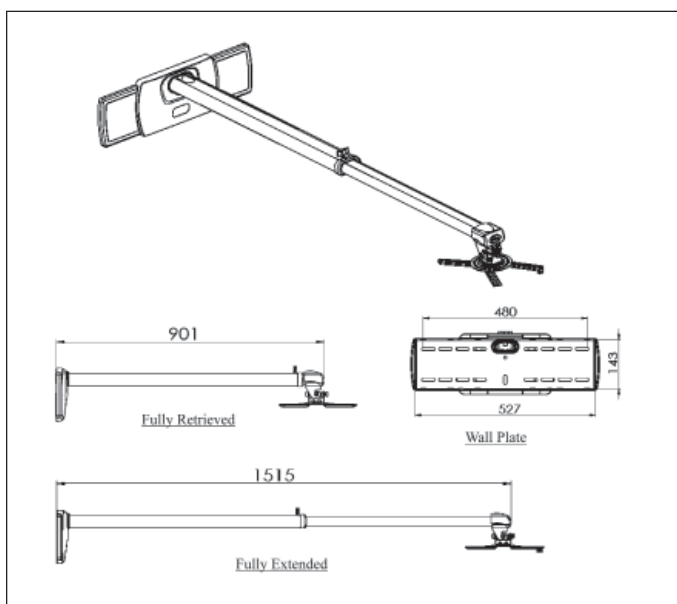
AV891WS-1500 is a stylish wall arm with 1.5 meter long for mounting of short-throw projector on wall. It includes a universal head mount for fix most popular brands of projector. It is able to adjust the projection distance by sliding along the arm and lock the position with a hand knob.

FEATURES

- Fast and easy installation
- For Short-throw Projector
- Quick release universal mount for Projector
- +/- 20 degrees Tilt and Roll for Projector
- Telescoping arm provide adjustment from Min.901mm to Max.1515mm from wall
- Cable management
- Steel construction
- Includes mounting hardware kit

TECHNICAL SPECIFICATION

GROSS WEIGHT:	8.8kg (19.4 lbs)
GROSS DIMENSION:	(920 x 570 x 205)mm
DISTANCE FROM PROJECTOR WALL:	Min. 901mm Max.1515mm
WALL STUD DISTANCE:	18"
LOAD CAPACITY:	10kg (22 lbs)
COLOR OPTION:	White grey

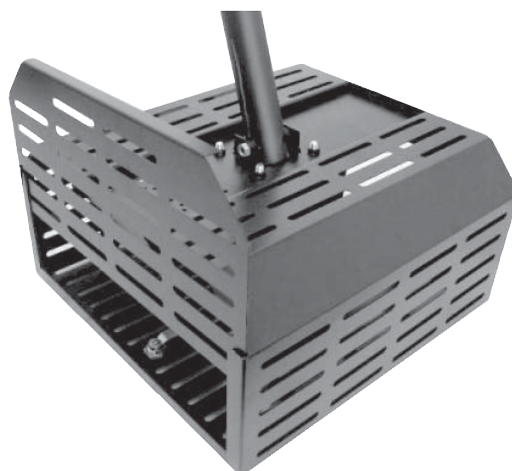


* Specifications are subject to change without notice.

ABTUS

AV820

PROJECTOR CAGE



DESCRIPTION

AV820 fully encloses the projector in a locked steel cage to prevent theft, as well as recreational damage. It is a security solution for schools, open areas, halls, saving unnecessary costs and hassles caused by projector theft.

FEATURES

- Fast and easy installation
- Adaptable to AV815 Projector ceiling mount (Optional)
- All steel construction
- Universal size to suit most of projectors
- Left/center/right Lens
- Holes patterns provide proper ventilation

TECHNICAL SPECIFICATION

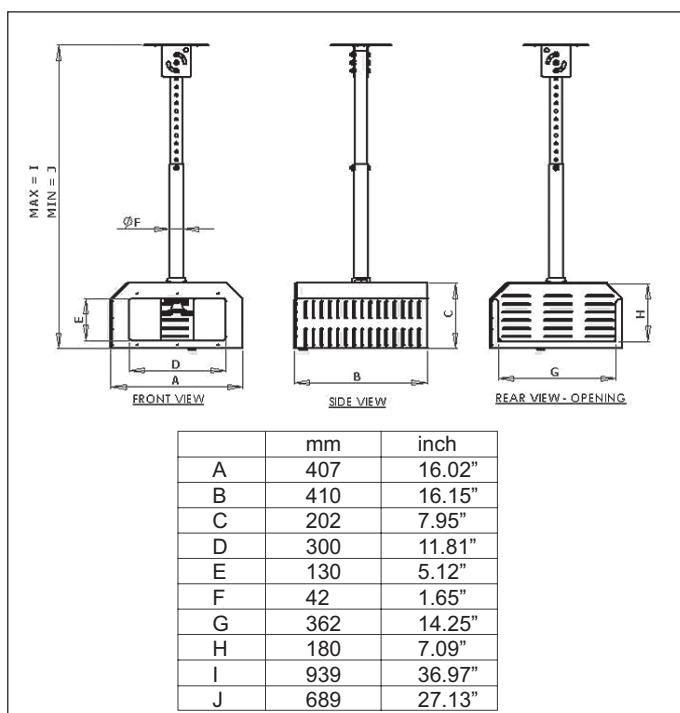
PROJECTOR SIZE: Up to (W x D x H) 300 x 250 x 100mm

DIMENSION (W x D x H): 407mm x 410mm x 202mm

DISTANCE FROM WALL: 510mm (20")

LOAD CAPACITY: 7kg (15.4 lbs)

COLOR OPTION: Black



* Specifications are subject to change without notice.