

AVA-GA12N/A2

1:2 VGA DIGITAL AMPLIFIER WITH AUDIO (NO EXTERNAL POWER REQUIRED)



DESCRIPTION

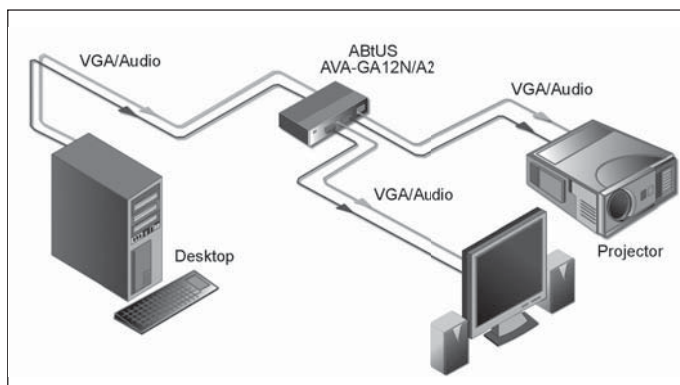
The ABtUS AVA-GA12N/A2 is a high quality 1:2 VGA Distribution Amplifier specially catered for professional AV system integrators who require high dependable performance in their installations. The AVA-GA12N/A2 is specially designed to work without an external power supply (plug & play) and can support a cable run of up to 50m in a typical application. Simply connect it to your computer and your display devices such as projectors, Plasma and LCD monitors and the AVA-GA series will provide high quality output for up to 2 display devices.

FEATURES

- By using AD chipset (Analog Device), the AVA-GA series has a dedicated high bandwidth of 900 MHz (R+G+B) to ensure maximum transparency even for the most critical applications at the highest resolution UXGA mode. It is ideal for presentation systems requiring a local monitor or up to 2 different remote display units. The AVA-GA12N/A2 is also compatible with HDTV component video signals when using a break cable for VGA to component. A 12V power supply is included for applications where required.
- Compatible with all monitors, projectors, HDTVs and flat panel displays

TECHNICAL SPECIFICATION

INPUT:	1 x VGA D-Sub 15 pin Female connector With 3.5mm mini audio jack
OUTPUT:	2 x VGA D-Sub 15 pin Female connector With 3.5mm mini audio jack
BANDWIDTH:	(-3dB) 900MHz
MAX RESOLUTION:	1600 x 1200
SIGNAL TYPE:	VGA, SVGA, XGA, UXGA, Multi sync
CABLE LENGTH (INPUT):	1 to 3 meter [*With a full 15 pin VGA Cable]
CABLE LENGTH (OUTPUT):	1 to 50 meter [*Depending on cable rating]
HOUSING:	Metal
DIMENSION:	300 x 112.4 x 44 mm
WEIGHT:	620g
ACCESSORIES:	AC-DC Power Adaptor 12V-DC, 500mA
POWER SOURCE:	12V-DC, 500mA [*Used Only when required]



TYPICAL APPLICATIONS

The AVA-GA12N/A is part of the ABtUS series of high quality, high bandwidth and cost effective Distribution Amplifiers and Switchers designed specially for professional installers. ABtUS products can be found in industrial, commercial, educational, military and government applications like:

- Schools • Training rooms • Broadcast and duplication studios • Workstation environments
- Retail showrooms • CCTV and surveillance • Multipurpose Hall

* Specifications are subject to change without notice.

AVA-GA14G/A

1:4 VGA DIGITAL AMPLIFIER WITH AUDIO



DESCRIPTION

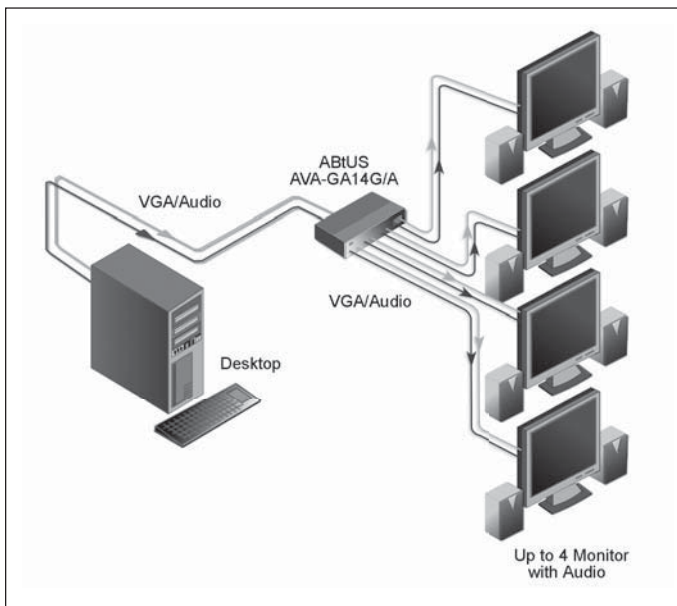
The ABTUS AVA-GA14G/A is high quality VGA Distribution Amplifier specially caters for professional AV system integrators who require high dependable performance in their installations. Simply connect them to your computer and your display devices such as projectors, Plasma and LCD monitors and these distribution amplifiers will provide the highest quality output for up to 4 display devices.

FEATURES

- With a video bandwidth of 900MHz, it ensures the Amplifier remains transparent even for high resolution VGA modes like UXGA. It is ideal for presentation systems requiring a local monitor or up to 2 (AVA-GA12G/A) & 4 (AVA-GA14G/A) different display units.
- Compatible with all monitors, projectors, HDTVs and flat panel displays

TECHNICAL SPECIFICATION

INPUT:	1 x VGA D-Sub 15 pin Female connector with 3.5mm PC Audio
OUTPUT:	4 x VGA D-Sub 15 pin Female connector with 3.5mm PC Audio
BANDWIDTH:	(-3dB) 900MHz
MAX RESOLUTION:	1600 x 1200
SIGNAL TYPE:	VGA, SVGA, XGA, UXGA, Multi sync
CABLE LENGTH (INPUT):	1 to 3 meter
CABLE LENGTH (OUTPUT):	1 to 50 meter [*Depending on cable rating]
HOUSING:	Metal
DIMENSION:	200 x 112.4 x 44 mm
WEIGHT:	800g
ACCESSORIES:	AC-DC Power Adaptor 12V-DC, 500mA
POWER SOURCE:	12V-DC, 500mA



TYPICAL APPLICATIONS

The AVA-GA14G/A is part of the ABTUS series of high quality, high bandwidth and cost effective Distribution Amplifiers and Switchers designed specially for professional installers. ABTUS products can be found in industrial, commercial, educational, military and government applications like:

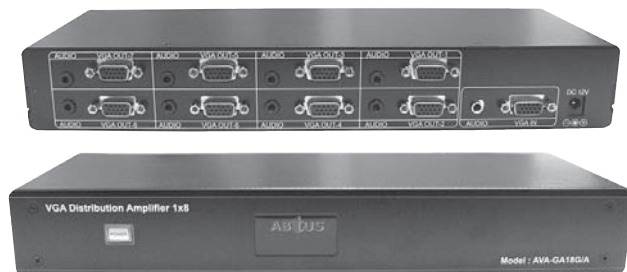
- Schools • Training rooms • Broadcast and duplication studios • Workstation environments
- Retailshowrooms • CCTV and surveillance • Multipurpose Hall

* Specifications are subject to change without notice.

ABTUS

AVA-GA18G/A

1:8 VGA DIGITAL AMPLIFIER WITH AUDIO

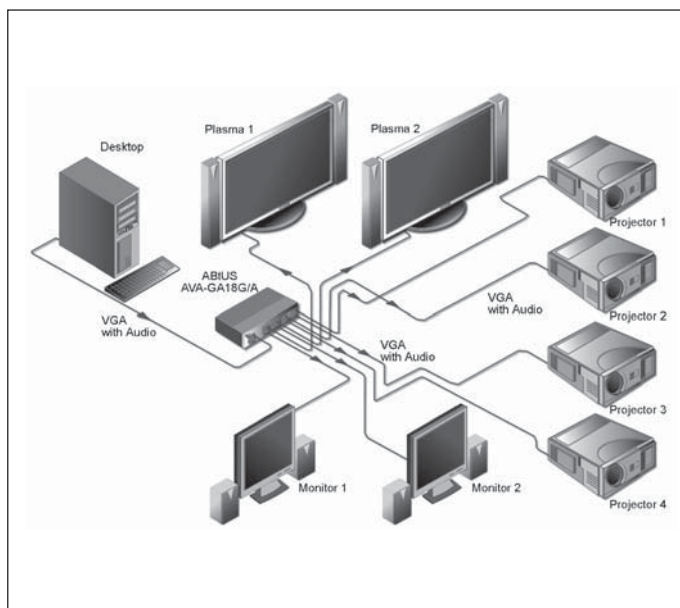


DESCRIPTION

The ABtUS AVA-GA18G/A is a high quality VGA Distribution Amplifier specially caters for professional AV system integrators who require high dependable performance in their installations. Simply connect it to your computer and your display devices such as projectors, Plasma and LCD monitors and the AVA-GA18G/A will provide the highest quality output for up to 8 display devices.

FEATURES

- With a video bandwidth of 900MHz, it ensures the Amplifier remains transparent even for high resolution VGA modes like UXGA. It is ideal for presentation systems requiring a local monitor or up to 8 different display units.
- Compatible with all monitors, projectors, HDTVs and flat panel displays



TYPICAL APPLICATIONS

The AVA-GA18G/A is part of the ABtUS series of high quality, high bandwidth and cost effective Distribution Amplifiers and Switchers designed specially for professional installers. ABtUS products can be found in industrial, commercial, educational, military and government applications like:

- Schools • Training rooms • Broadcast and duplication studios • Workstation environments
- Retail showrooms • CCTV and surveillance • Multipurpose Hall

TECHNICAL SPECIFICATION

INPUT:	1 x VGA D-Sub 15 pin Female connector with 3.5mm PC Audio
OUTPUT:	8 x VGA D-Sub 15 pin Female connector with 3.5mm PC Audio
BANDWIDTH:	(-3dB) 900MHz
MAX RESOLUTION:	1600 x 1200
SIGNAL TYPE:	VGA, SVGA, XGA, UXGA, Multi sync
CABLE LENGTH (INPUT):	1 to 3 meter
CABLE LENGTH (OUTPUT):	1 to 50 meter [* Depending on cable rating]
HOUSING:	Metal
DIMENSION:	300 x 112.4 x 44 mm
WEIGHT:	1200g
ACCESSORIES:	AC-DC Power Adaptor 12V-DC, 500mA
POWER SOURCE:	12V-DC, 500mA

* Specifications are subject to change without notice.

AVA-GA116G

1:16 VGA DIGITAL AMPLIFIER



DESCRIPTION

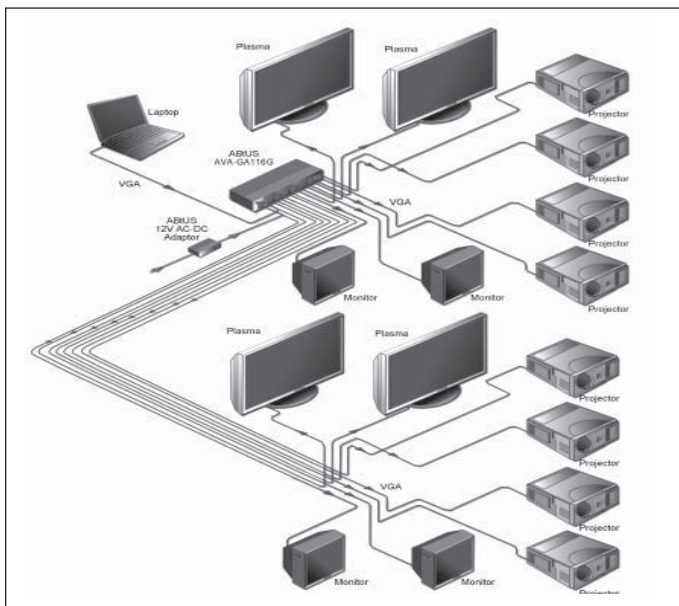
The ABUS AVA-GA116G is a high quality VGA Distribution Amplifier specially catered for professional AV system integrators who require high dependable performance in their installations. Simply connect it to your computer and your display devices such as projectors, Plasma and LCD monitors and the AVA-GA116G will provide the highest quality output for up to 16 display devices.

FEATURES

- With a video bandwidth of 900MHz, it ensures the Amplifier remains transparent even for high resolution VGA modes like UXGA. It is ideal for presentation systems requiring a local monitor or up to 16 different display units.
- Compatible with all monitors, projectors, HDTVs and flat panel displays

TECHNICAL SPECIFICATION

INPUT:	1 x VGA D-Sub 15 pin Female connector
OUTPUT:	16 x VGA D-Sub 15 pin Female connector
BANDWIDTH:	(-3dB) 900MHz
MAX RESOLUTION:	1600 x 1200 UXGA
SIGNAL TYPE:	VGA, SVGA, XGA, UXGA, Multi sync
CABLE LENGTH (INPUT):	1 to 3 meter
CABLE LENGTH (OUTPUT):	1 to 50 meter [* Depending on cable rating]
HOUSING:	Metal
DIMENSION:	482.6 x 177.8 x 25.4 mm
WEIGHT:	2.8kg. [6.2 lbs.] approx.
ACCESSORIES:	AC-DC Power Adaptor 12V-DC, 500mA
POWER SOURCE:	12V-DC, 500mA



TYPICAL APPLICATIONS

The AVA-GA116G is part of the ABUS series of high quality, high bandwidth and cost effective Distribution Amplifiers and Switchers designed specially for professional installers. ABUS products can be found in industrial, commercial, educational, military and government applications like:

- Schools • Training rooms • Broadcast and duplication studios • Workstation environments
- Retailshowrooms • CCTV and surveillance • Multipurpose Hall

* Specifications are subject to change without notice.

ABUS

AVA-GA24G/A

2:1X4 VGA DIGITAL AMPLIFIER SWITCHER WITH STEREO AUDIO

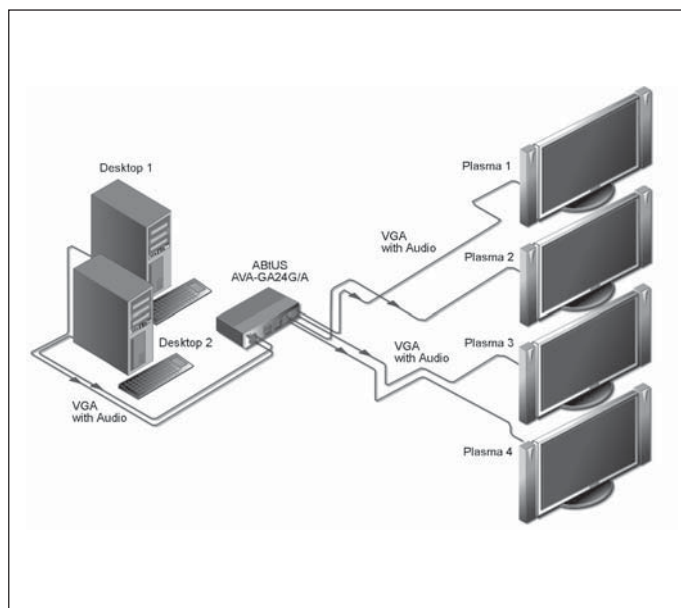


DESCRIPTION

The ABTUS AVA-GA24G/A Distribution Amplifier is specially designed for computer and workstation applications. Either 1 of the 2 input can be selected and split to a VGA/SVGA/XGA/UXGA graphic output of up to 4 monitors with no discernible signal degradation. State-of-the-art power management circuitry makes AVA-GA24G/A the first choice signal distributor. With its high signal bandwidth of 900MHz, identical high defined output can be achieved throughout.

FEATURES

- With the 2 Input arrangements, any of the two video sources can now be amplified and distributed with high-resolution. It is ideal for presentation systems requiring two VGA sources with a local monitor or up to 4 different display units.
- Compatible with all monitors, projectors, HDTV and flat panels display



TYPICAL APPLICATIONS

The AVA-GA24G/A is part of the ABTUS series of high quality, high bandwidth and cost effective Distribution Amplifiers and Switchers designed specially for professional installers. ABTUS products can be found in industrial, commercial, educational, military and government applications like:

- Schools • Training rooms • Broadcast and duplication studios • Workstation environments
- Retail showrooms • CCTV and surveillance • Multipurpose Hall

TECHNICAL SPECIFICATION

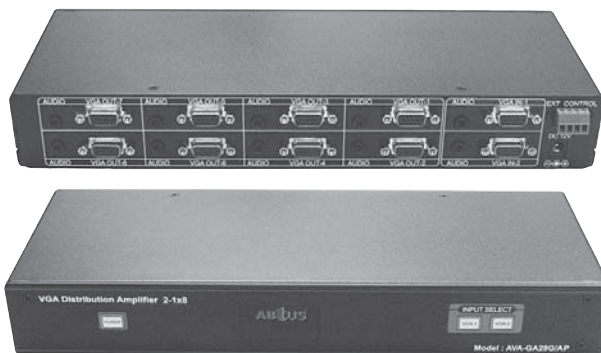
INPUT:	2 x VGA D-Sub 15 pin Female connector With 3.5mm mini audio jack
OUTPUT:	4 x VGA D-Sub 15 pin Female connector With 3.5mm mini audio jack
BANDWIDTH:	(-3dB) 900MHz
MAX RESOLUTION:	1600 x 1200
SIGNAL TYPE:	VGA, SVGA, XGA, UXGA, Multi sync
CABLE LENGTH (INPUT):	1 to 3 meter
CABLE LENGTH (OUTPUT):	1 to 50 meter [* Depending on cable rating]
HOUSING:	Metal
DIMENSION:	200 x 112.4 x 44 mm
WEIGHT:	800g
ACCESSORIES:	AC-DC Power Adaptor 12V-DC, 500mA
POWER SOURCE:	12V-DC, 500mA

* Specifications are subject to change without notice.

AVA-GA28G/A & 28G/AP

2:1X8 VGA DIGITAL AMPLIFIER SWITCHER WITH STEREO AUDIO

[*AP: WITH EXTERNAL CONTROL COM PORT]

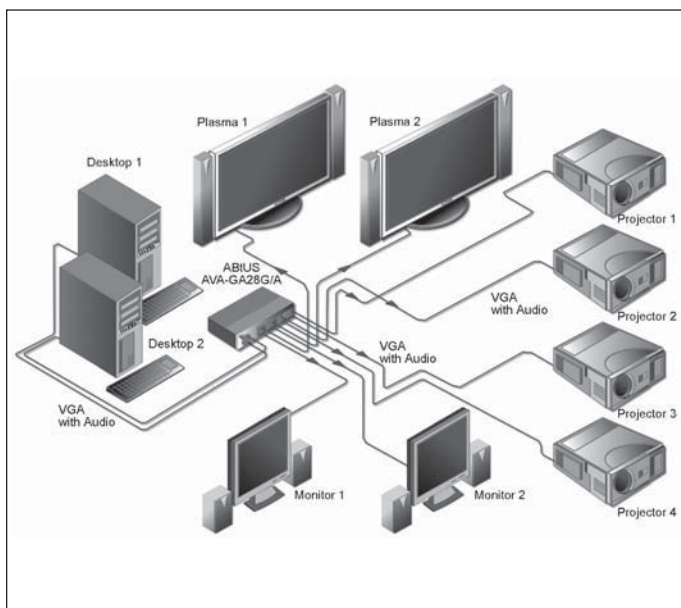


DESCRIPTION

The ABTUS AVA-GA28G/A Distribution Amplifier is specially designed for computer and workstation applications. Either 1 of the 2 input can be selected and split to a VGA/SVGA/XGA/UXGA graphic output of up to 8 monitors with no discernible signal degradation. State-of-the-art power management circuitry makes AVA-GA28G/A the first choice signal distributor. With its high signal bandwidth of 900MHz identical high defined output can be achieved throughout.

FEATURES

- With the 2 input arrangements, any of the two video sources can now be amplified and distributed with high-resolution. It is ideal for presentation systems requiring 2 VGA sources with a local monitor or up to 4 different display units.
- Compatible with all monitors, projectors, HDTVs and flat panel displays.



TYPICAL APPLICATIONS

The AVA-GA28G/A is part of the ABTUS series of high quality, high bandwidth and cost effective Distribution Amplifiers and Switchers designed specially for professional installers. ABTUS products can be found in industrial, commercial, educational, military and government applications like:

- Schools • Training rooms • Broadcast and duplication studios • Workstation environments
- Retailshowrooms • CCTV and surveillance • Multipurpose Hall

TECHNICAL SPECIFICATION

INPUT:	2 x VGA D-Sub 15 pin Female connector With 3.5mm mini audio jack
OUTPUT:	8 x VGA D-Sub 15 pin Female connector With 3.5mm mini audio jack
BANDWIDTH:	(-3dB) 900MHz
MAX RESOLUTION:	1600 x 1200
SIGNAL TYPE:	VGA, SVGA, XGA, UXGA, Multi sync
CABLE LENGTH (INPUT):	1 to 3 meter
CABLE LENGTH (OUTPUT):	1 to 50 meter [*Depending on cable rating]
EXTERNAL COM PORT:	1x for AP model only.
HOUSING:	Metal
DIMENSION:	310 x 112.4 x 44 mm
WEIGHT:	1200g
ACCESSORIES:	AC-DC Power Adaptor 12V-DC, 500mA
POWER SOURCE:	12V-DC, 500mA

* Specifications are subject to change without notice.

AVS-GA82A & 82A/P

8:1X2 VGA SWITCHER DIGITAL AMPLIFIER WITH STEREO AUDIO

[* AP: WITH EXTERNAL CONTROL COM PORT]

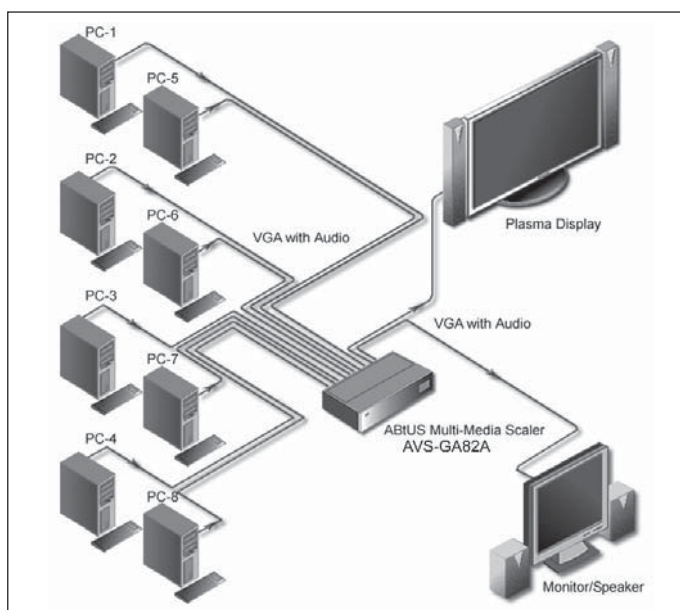


DESCRIPTION

The ABTUS AVS-GA82A/P Switcher Distribution Amplifier is specially designed for computer and workstation applications. Either one of the 8 input can be selected and split to a VGA/SVGA/XGA/UXGA graphic output and stereo audio up to a local and remote monitor with no discernible signal degradation. State-of-the-art power management circuitry makes AVS-GA82AP the first choice signal distributor. With its high signal bandwidth of 900MHz identical high defined output can be achieved throughout.

FEATURES

- With the 8 Input arrangements, any of the eight video sources can now be selectively amplified and distributed with high transparency even for high-resolution VGA modes like UXGA. It is ideal for presentation systems requiring 8 VGA sources with a local monitor and/or up to 2 different display units.
- Compatible with all monitors, projectors, HDTVs and flat panel displays.



TYPICAL APPLICATIONS

The AVS-GA82A/P is part of the ABTUS series of high quality, high bandwidth and cost effective Distribution Amplifiers and Switchers designed specially for professional installers. ABTUS products can be found in industrial, commercial, educational, military and government applications like:

- Schools • Training rooms • Broadcast and duplication studios • Workstation environments
- Retail showrooms • CCTV and surveillance • Multipurpose Hall

TECHNICAL SPECIFICATION

INPUT:	8 x VGA D-Sub 15 pin Female connector With 3.5mm mini audio jack
OUTPUT:	2 x VGA D-Sub 15 pin Female connector With 3.5mm mini audio jack
BANDWIDTH:	(-3dB) 900MHz
MAX RESOLUTION:	1600 x 1200
SIGNAL TYPE:	VGA, SVGA, XGA, UXGA, Multi sync
CABLE LENGTH (INPUT):	1 to 3 meter
CABLE LENGTH (OUTPUT):	1 to 50 meter [* Depending on cable rating]
EXTERNAL COM PORT:	1x for AP model only.
HOUSING:	Metal
DIMENSION:	310 x 112.4 x 44 mm
WEIGHT:	1200g
ACCESSORIES:	AC-DC Power Adaptor 12V-DC, 500mA
POWER SOURCE:	12V-DC, 500mA

* Specifications are subject to change without notice.