

AV382-V1

PLASMA/LCD DISPLAY MOBILE STAND ECONOMY VERSION



DESCRIPTION

This mobile stand come in DIY style for convenient transportation and shipping. It is mounted with castor wheels to allow easy and flexible movement. Optional glass shelf for DVD player can be fixed on either side or both sides of pole.

FEATURES

- Fast and easy installation
- Fixed Hooks
- Heavy duty PU Castor wheels mounted for easy movement
- Two mounting position for Plasma viewing height
- Glass shelving (optional)
- Includes mounting hardware kit

TECHNICAL SPECIFICATION

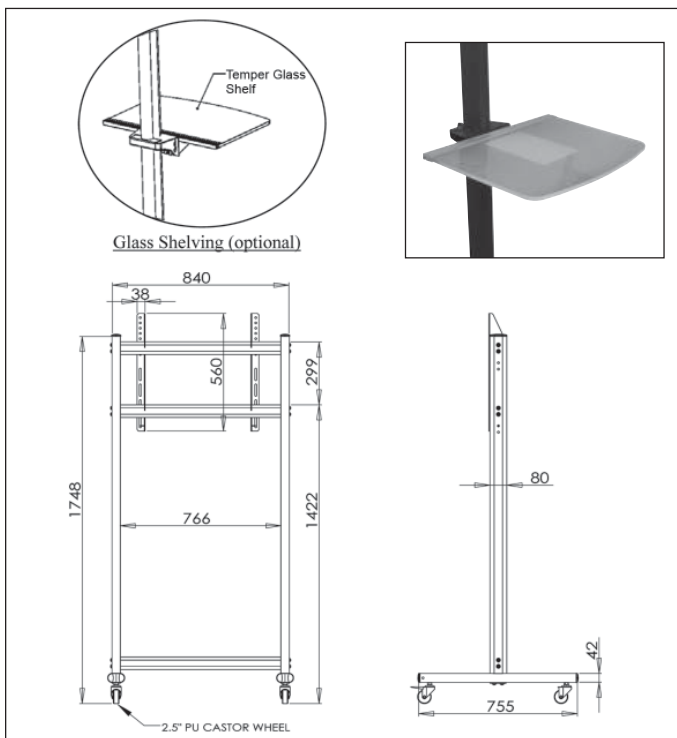
PLASMA SIZE: Suitable for 37"-60"
[note: for 50"-60", please ensure the mounting holes are within the stand hooking area]

BASE DIMENSION (W x D x H) : 780 x 750 x 1755 mm /
30.70" x 29.52" x 69.09"

LOAD CAPACITY: 50kg (110 lbs)

GROSS WEIGHT (Approx.): 22.5kg (49.5 lbs)

COLOR OPTION: Black



* Specifications are subject to change without notice.

ABTUS