

## AV383-D DUAL DISPLAY MOBILE STAND



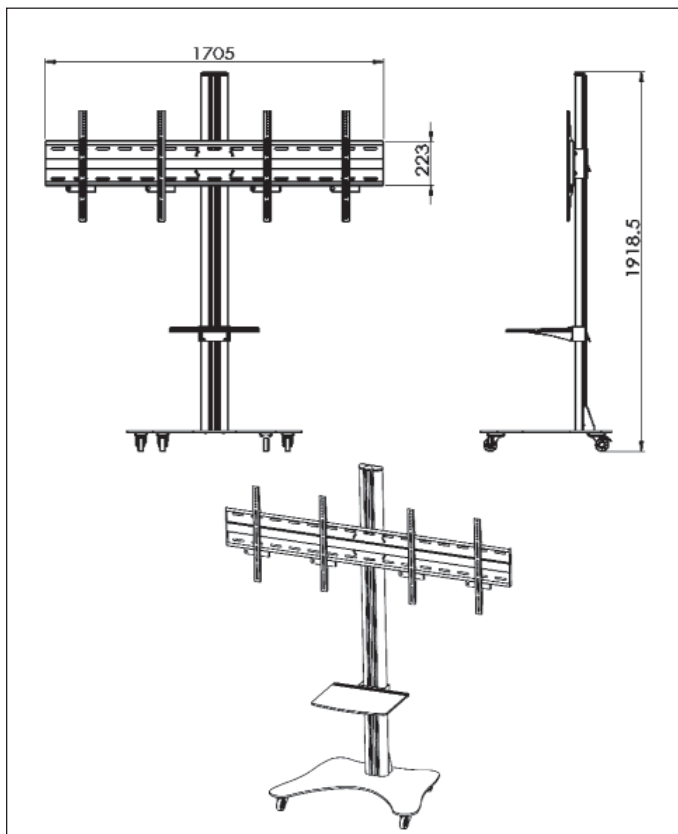
### DESCRIPTION

#### Now You Can Move It Where You Want & When You Want

Why mount your stylish plasma display on the wall like everyone else does, when you can use our stand to show it off, to make it mobile and move it wherever you want to watch it? Our stand is easy to install and dismantle with flexible viewing angles and study locking devices. It also allow you to display your other high-end video/audio equipment.

### FEATURES

- Quick and easy installation
- Shelving for Audio/DVD player
- Castor wheels mounted for easy moving around
- Cable management
- Adjustment for viewing height
- Include mounting hardware kit



### TECHNICAL SPECIFICATION

PLASMA SIZE:	Suitable for 40" -46"
BASE DIMENSION (W x D x H) :	880 x 660 x 108 mm / 35.85" x 25.98" x 4.25"
POST HEIGHT:	1918.5mm (6.3ft)
MAX. SCREEN HEIGHT:	1670mm(66")
LOAD CAPACITY:	80kg (176 lbs)
NET WEIGHT (Approx.):	65kg (143 lbs)
GROSS WEIGHT (Approx.):	70kg (154 lbs)
COLOR OPTION:	Grey and Black

\* Specifications are subject to change without notice.

**ABTUS**