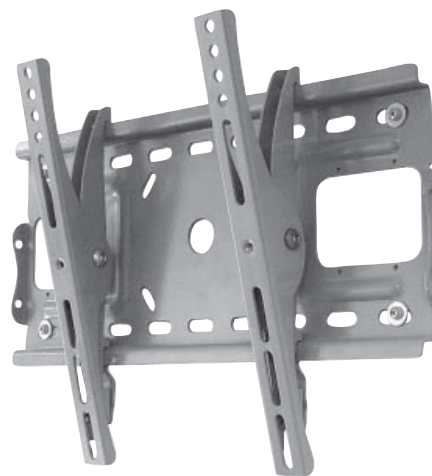
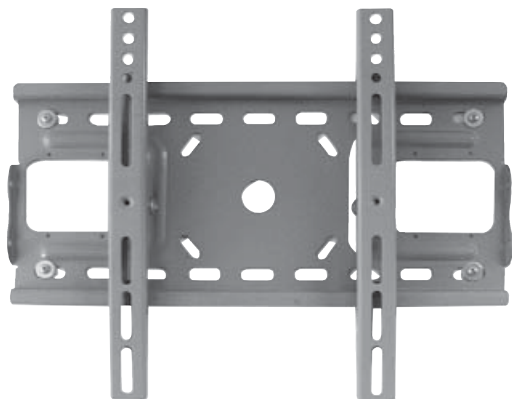


AV480-W2T

PLASMA/LCD DISPLAY TILT WALL MOUNT

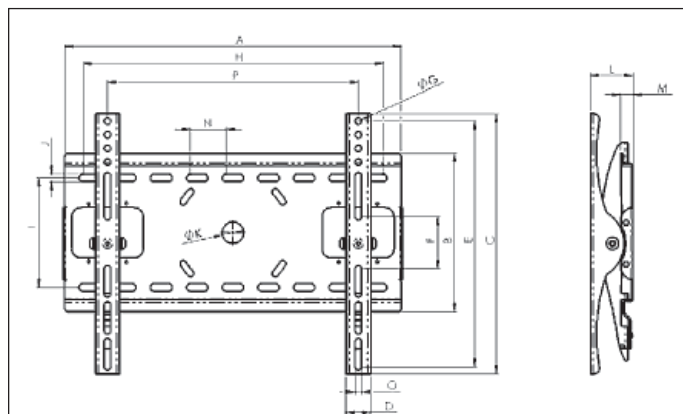


DESCRIPTION

Our versatile and solid design offers FULL TILTING possibilities with extreme ease. You can easily adjust it to achieve your perfect viewing angle. 15 degrees of upward and downward tilt enables easy access to the junction boxes and cable management, without the need of any tools and screws.

FEATURES

- Fast and easy installation Tilt Mount
- Sliding lateral on-wall adjustment
- Includes mounting hardware kit
- Locking system for security
- Tilt angle +/- 15 degrees without additional locking handle



	mm	inch
A	470	18.5"
B	220	8.7"
C	360	14.2"
D	34	1.3"
E	340	13.4"
F	72	2.8"
G	9	0.3"
H	419	16.5"
I	152	6"
J	11	0.4"
K	30	1.2"
L	60.3	2.4"
M	17.5	0.7"
N	50	2"
O	9	0.3"
P	75-430	3-17"

TECHNICAL SPECIFICATION

PLASMA SIZE:	Suitable for 23" to 37"
WALL PLATE DIMENSION:	470mm (18.5") x 220mm (8.7")
LENGTH OF HOOK:	360mm (14.2")
DISTANCE FROM WALL:	60.3mm (2.4")
LOAD CAPACITY:	36 kg (80 lbs)
COLOR OPTION:	Black or Silver

* Specifications are subject to change without notice.

ABTUS