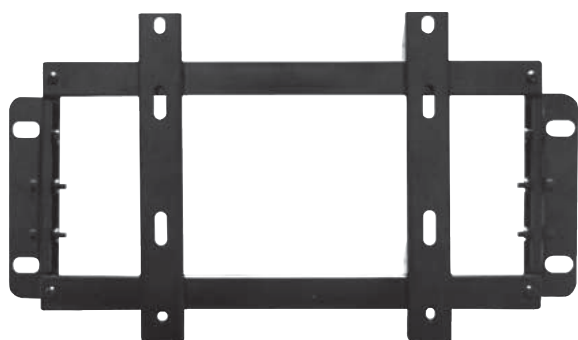


AV483-L360

PLASMA/LCD DISPLAY TILT WALL MOUNT



DESCRIPTION

Behind your prized plasma display, you need a Great Support

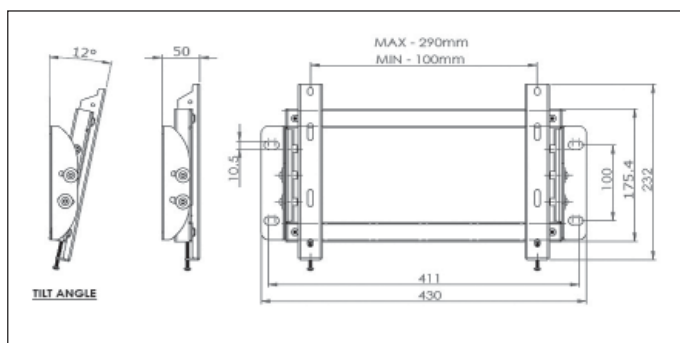
Designed for all discerning owners of their prized flat plasmas and LCDs, ABtUS Universal Plasma/LCD Tilt Wall Mount AV483-L360 support any 23" – 37" flat panels. Its ultra sleek design provides the ultimate wall mounting solution that is very safe and discreet, keeping the panel 1.97" (50mm) away from the wall.

FEATURES

- Fast and easy installation Fixed Mount
- Sliding lateral on-wall adjustment
- Includes mounting hardware kit
- Locking screws for security

TECHNICAL SPECIFICATION

PLASMA SIZE:	Suitable for 23" to 37"
WALL PLATE DIMENSION:	430mm (16.9") x 175.4mm (6.9")
LENGTH OF HOOK:	232mm (9.1")
TILT ANGLE:	12 degrees
DISTANCE FROM WALL:	50mm (1.97")
LOAD CAPACITY:	36kg (80 lbs)
COLOR OPTION:	Black



* Specifications are subject to change without notice.