

AV601-D

LCD MONITOR CANTILEVER MOUNT (DOUBLE ARM)



DESCRIPTION

AV601-D LCD Monitor Cantilever Mount is stylish, durable and easy to install.

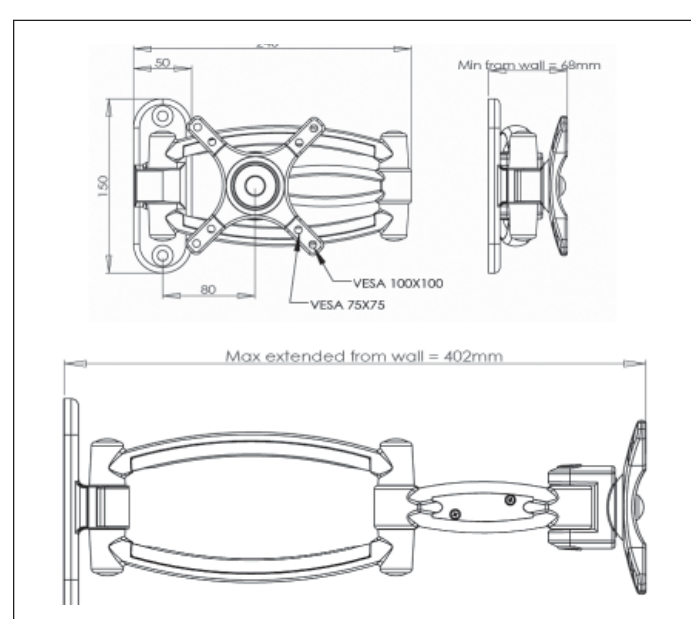
AV601-D allows you to tilt your LCD screen upwards and downwards without changing your viewing angle. The superior design and features make mounting in tight space easy and hassle free.

FEATURES

- Quick and easy installation
- Hi-tech design with full versatility
- Include hardware mounting kit
- Cable management
- Superior flexibility and movement
- Alum casting construction
- Nesting arm design allows display to be folded flat against the wall
- The sturdy main frame is movable smoothly even under heavy load
- Double Pivot arm provides full extension & 180 degrees of lateral rotation allowing multiple viewing angles
- VESA standard 75/100 compliant

TECHNICAL SPECIFICATION

SUITABLE SIZE:	10" to 19" LCD Monitor
FULL EXTENDED FROM WALL:	402mm
DISTANCE FROM WALL:	68mm (2.7")
LOAD CAPACITY:	15kg (33 lbs)
COLOR OPTION:	Chrome or Grey



* Specifications are subject to change without notice.

