

AV891-610

SHORT THROW PROJECTOR WALL MOUNT



DESCRIPTION

AV891-610 is a stylish wall arm for mounting of short-throw projector on wall. It includes a universal head mount for fixing most popular brands of projector. It is able to adjust the projection distance by sliding along the arm and lock the position with a hand knob.

FEATURES

- Fast and easy installation
- For Short-throw Projector
- Quick release universal mount for Projector
- +/- 20 degrees Tilt and Roll for Projector
- Telescoping arm provide adjustment from Min.432mm to Max.613mm from wall
- Cable management
- Steel construction
- Includes mounting hardware kit

TECHNICAL SPECIFICATION

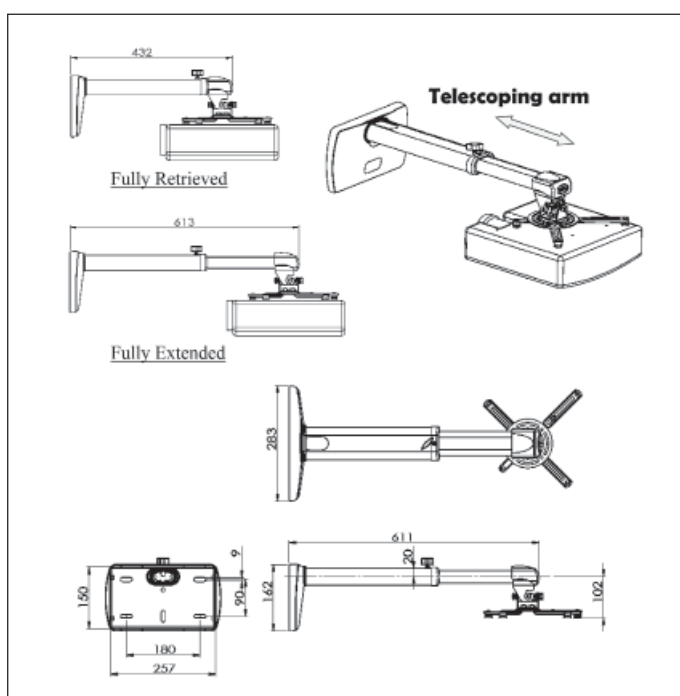
GROSS WEIGHT: 4.5kg [9.9 lbs]

GROSS DIMENSION: (460 x 315 x 205)mm

DISTANCE FROM PROJECTOR WALL: Min. 432mm | Max.613mm

LOAD CAPACITY: 10kg [22 lbs]

COLOR OPTION: White Grey



* Specifications are subject to change without notice.