

AV891WS-1500

SHORT THROW PROJECTOR WALL MOUNT



DESCRIPTION

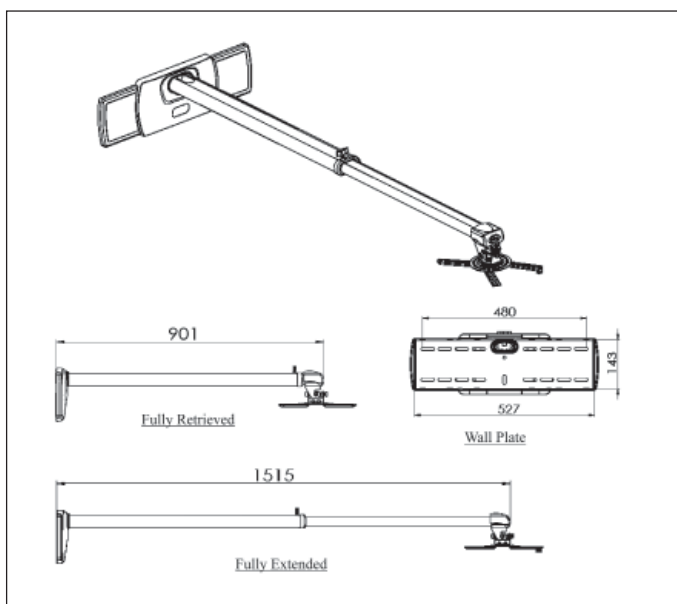
AV891WS-1500 is a stylish wall arm with 1.5 meter long for mounting of short-throw projector on wall. It includes a universal head mount for fix most popular brands of projector. It is able to adjust the projection distance by sliding along the arm and lock the position with a hand knob.

FEATURES

- Fast and easy installation
- For Short-throw Projector
- Quick release universal mount for Projector
- +/- 20 degrees Tilt and Roll for Projector
- Telescoping arm provide adjustment from Min.901mm to Max.1515mm from wall
- Cable management
- Steel construction
- Includes mounting hardware kit

TECHNICAL SPECIFICATION

GROSS WEIGHT:	8.8kg (19.4 lbs)
GROSS DIMENSION:	(920 x 570 x 205)mm
DISTANCE FROM PROJECTOR WALL:	Min. 901mm Max.1515mm
WALL STUD DISTANCE:	18"
LOAD CAPACITY:	10kg (22 lbs)
COLOR OPTION:	White grey



* Specifications are subject to change without notice.

ABTUS