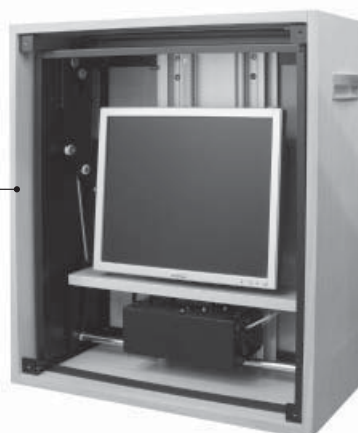


# AV901

## LCD MONITOR LIFT



Exclude wooden case



### DESCRIPTION

AV901 LCD Monitor Lift is created for customers with higher requirements of obscurity, silence, reliability & safety. Our opening mechanism is smooth and simple, allowing fully obscurity and lifting up of the monitor. It is ideal for most wide screen monitor of up to 20 inches.

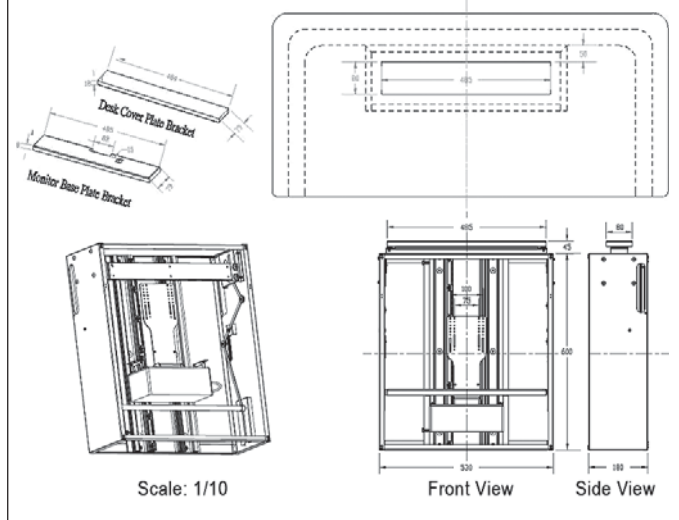
### FEATURES

- Easy installation
- Conveniently pre-wired for fast hook-up
- Ergonomic 18 degree tilt angle for stress free viewing
- Lift & Tilt function is simply controlled by the four button switch panel, which is included in the package
- VESA 75x75, 100x100 for monitor mounting
- Special polymer built gear rack and guide wheels for silent operation
- Solid extruded light weight aluminum rack for rigidity



### 19" Monitor Lift

Installation Dimensions



### TECHNICAL SPECIFICATION

<b>SUITABLE FOR:</b>	17-20" LCD flat screen monitors
<b>MAX MONITOR SIZE:</b>	mm: 484(W) x 320(H) x 70(D) inches: 19" x 12"9/16 x 2"3/4
<b>MONITOR MOUNTING:</b>	75 x 75mm and 100 x 100mm Custom mounting brackets available
<b>MONITOR BACK TILT:</b>	0°+18
<b>LIFT SPEED:</b>	Open: 28 sec. Close: 28 sec. (max. travel)
<b>SOUND LEVEL:</b>	up : 42.2db avg., down 42.8db avg
<b>LIFT CAPACITY:</b>	20Kg [45 lbs]
<b>VOLTAGE:</b>	100-240V AC 50/60Hz
<b>POWER CONSUMPTION:</b>	19 watts
<b>DIMENSIONS:</b>	mm: 530(W) x 600(H) x 180(D) inches: 20"7/8 x 23"5/8 x 7"1/16
<b>WEIGHT:</b>	11Kg [24 lbs]
<b>LIFT TRAVEL:</b>	500mm max. infinitely adjustable
<b>CONTROL:</b>	5V DC analog. Four button control panel included
<b>COLOR:</b>	Black, other colors available upon request

\* Specifications are subject to change without notice.