

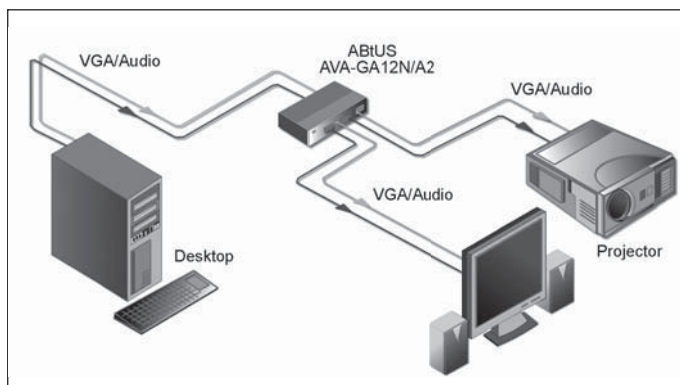
# AVA-GA12N/A2

## 1:2 VGA DIGITAL AMPLIFIER WITH AUDIO (NO EXTERNAL POWER REQUIRED)



### DESCRIPTION

The ABtUS AVA-GA12N/A2 is a high quality 1:2 VGA Distribution Amplifier specially catered for professional AV system integrators who require high dependable performance in their installations. The AVA-GA12N/A2 is specially designed to work without an external power supply (plug & play) and can support a cable run of up to 50m in a typical application. Simply connect it to your computer and your display devices such as projectors, Plasma and LCD monitors and the AVA-GA series will provide high quality output for up to 2 display devices.



### TYPICAL APPLICATIONS

The AVA-GA12N/A is part of the ABtUS series of high quality, high bandwidth and cost effective Distribution Amplifiers and Switchers designed specially for professional installers. ABtUS products can be found in industrial, commercial, educational, military and government applications like:

- Schools • Training rooms • Broadcast and duplication studios • Workstation environments
- Retail showrooms • CCTV and surveillance • Multipurpose Hall

### FEATURES

- By using AD chipset (Analog Device), the AVA-GA series has a dedicated high bandwidth of 900 MHz (R+G+B) to ensure maximum transparency even for the most critical applications at the highest resolution UXGA mode. It is ideal for presentation systems requiring a local monitor or up to 2 different remote display units. The AVA-GA12N/A2 is also compatible with HDTV component video signals when using a break cable for VGA to component. A 12V power supply is included for applications where required.
- Compatible with all monitors, projectors, HDTVs and flat panel displays

### TECHNICAL SPECIFICATION

<b>INPUT:</b>	1 x VGA D-Sub 15 pin Female connector With 3.5mm mini audio jack
<b>OUTPUT:</b>	2 x VGA D-Sub 15 pin Female connector With 3.5mm mini audio jack
<b>BANDWIDTH:</b>	(-3dB) 900MHz
<b>MAX RESOLUTION:</b>	1600 x 1200
<b>SIGNAL TYPE:</b>	VGA, SVGA, XGA, UXGA, Multi sync
<b>CABLE LENGTH (INPUT):</b>	1 to 3 meter [*With a full 15 pin VGA Cable]
<b>CABLE LENGTH (OUTPUT):</b>	1 to 50 meter [*Depending on cable rating]
<b>HOUSING:</b>	Metal
<b>DIMENSION:</b>	300 x 112.4 x 44 mm
<b>WEIGHT:</b>	620g
<b>ACCESSORIES:</b>	AC-DC Power Adaptor 12V-DC, 500mA
<b>POWER SOURCE:</b>	12V-DC, 500mA [*Used Only when required]

\* Specifications are subject to change without notice.