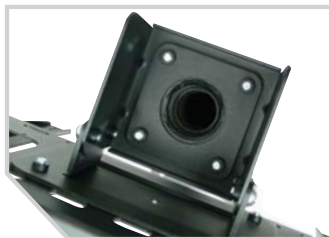


UNIVERSAL PLASMA/LCD CEILING MOUNT



Suitable for display 37"-50"



Behind your prized plasma display, you need a Great Support

Extremely flexible design allows you to fit almost any popular Plasma/LCD in the industry.

FEATURES

- ✔ Fast and easy installation
- ✔ Tilting angle +20° / -5°
- ✔ Cable management
- ✔ For Display size 37" – 50"
- ✔ Include mounting hardware kit
- ✔ Locking system for security
- ✔ Available in Black color
- ✔ Max. weight capacity 176 lbs(80kg)

➤ Easy Adjustment

➤ Quick & Easy Installation

UNIVERSAL PLASMA/LCD CANTILEVER MOUNT

► Easy Adjustment ► Quick & Easy Installation

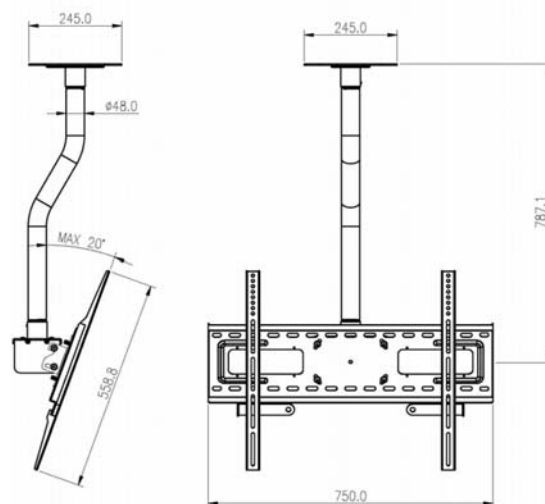
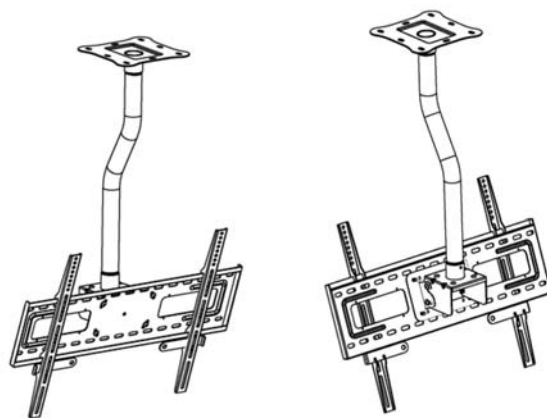
AV-419

SPECIFICATIONS

AV-419

Plasma size	Suitable for 37" - 50"
Wall Plate dimension	750mm (w) x 220mm (h)
Tilting (Plasma)	+20 degree / -5 degree
Load Capacity	176 lbs (80kg)

Suitable
for
37" - 50"



Distributed by:

ABTUS[®]