

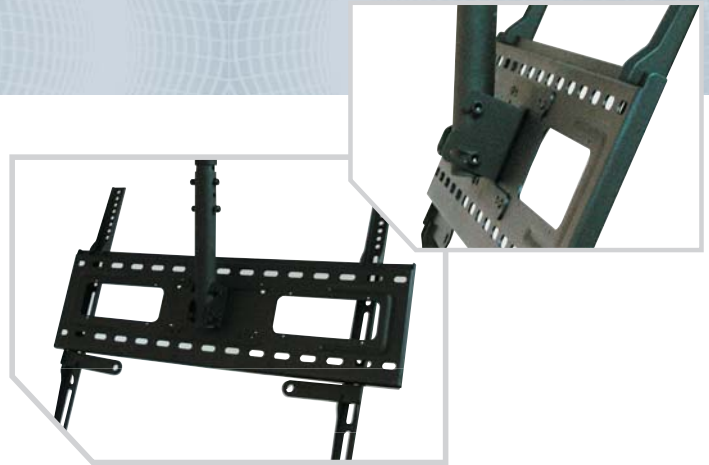
ABTUS[®]

AV-420W/W2

UNIVERSAL PLASMA/LCD CEILING MOUNT



Suitable for 23"-37" & 37"-50" Plasma/LCD Display



Behind your prized plasma display, you need a Great Support

Extremely flexible design allows you to fit almost any popular Plasma/LCD in the industry.

FEATURES

- Fast and easy installation
- 360 degrees rotation
- For Display size 23" – 37" (AV-420W2)
Max. Weight Capacity 80 lbs (36.4 kg)
- For Display size 37" – 50" (AV-420W)
Max. Weight Capacity 100 lbs (45.5 kg)
- Include Mounting Hardware Kit
- Locking System for Security
- Available in Black Color

➤ Easy Adjustment

➤ Quick & Easy Installation

UNIVERSAL PLASMA/LCD CEILING MOUNT

► Easy Adjustment

► Quick & Easy Installation

AV-420W/W2

SPECIFICATIONS

AV-420W2

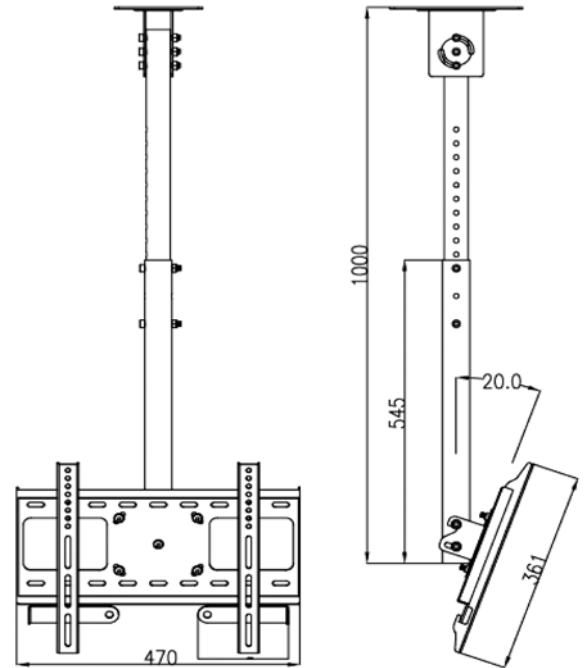
Plasma size	Suitable for 23" - 37"
Wall Plate dimension	470 mm (w) x 220 mm (h)
Length of hook	361 mm
Load Capacity	80 lbs (36.4kg)

AV-420W

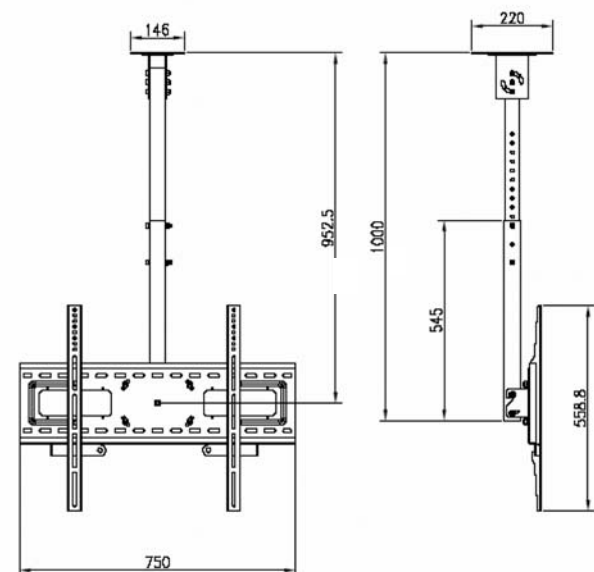
Plasma size	Suitable for 37" - 50"
Wall Plate dimension	750 mm (w) x 220 mm(h)
Length of hook	558.8 mm
Load Capacity	100 lbs (45.5kg)
Colour Option	Black



AV420W2



AV420W



Distributed by:

ABTUS[®]