

ABtUS[®]

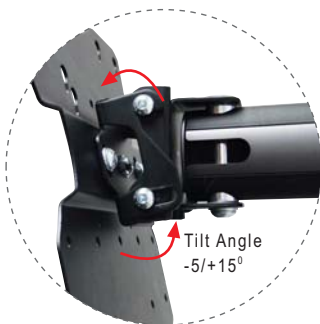
AV-506

UNIVERSAL PLASMA/LCD FIXED CANTILEVER MOUNT

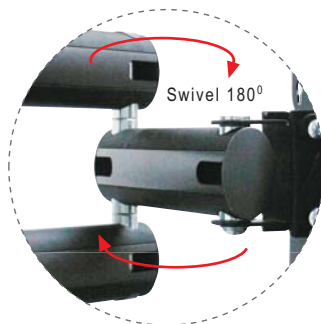


Suitable for 23"-38" Plasma/LCD Display

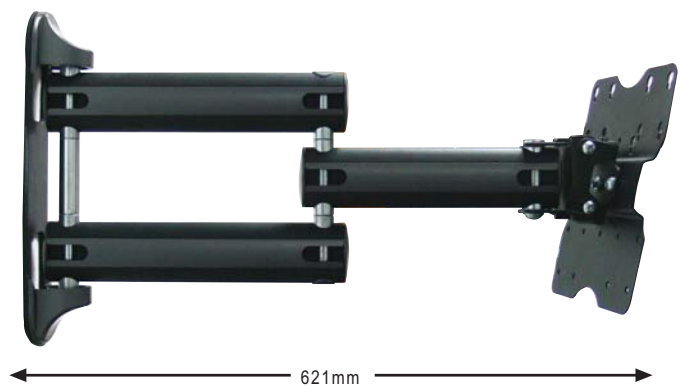
- Ultra Sleek Design
- Light Weight Profile
- Easy Adjustment
- Quick & Easy Installation



Tilt Angle
-5/+15°



Swivel 180°



621mm

Compatible with 23" - 38" LCD/Plasma display **AV-506**

Behind your prized plasma display, you need a Great Support

Designed for all discerning owners of their prized flat plasmas and LCDs, **ABtUS AV506** Universal Plasma/LCD Cantilever Mount support any 23" – 38" flat panels. Its ultra sleek design provides the ultimate wall mounting solution that is very safe and discreet, keeping the panel 125 mm away from the wall.

Safety is further enhance by its double locking device to deter theft, making it suitable even for a public and high traffic environment.

FEATURES

- Fast and easy installation
- Designed for 23" - 38" Flat Panel TV's
- Maximum Weight Capacity: 80 lbs. (36.4Kg)
- VESA compliant: VESA 75x75, 100x100, 100x200, 200x200
- Integrated Cable management
- Arm swivel 180 degrees
- Tilt angle -5 / +15 degrees
- Lift N' Lock Installation
- COLOR – BLACK Powder coating

UNIVERSAL PLASMA/LCD CANTILEVER MOUNT

- Ultra Sleek Design
- Light Weight Profile

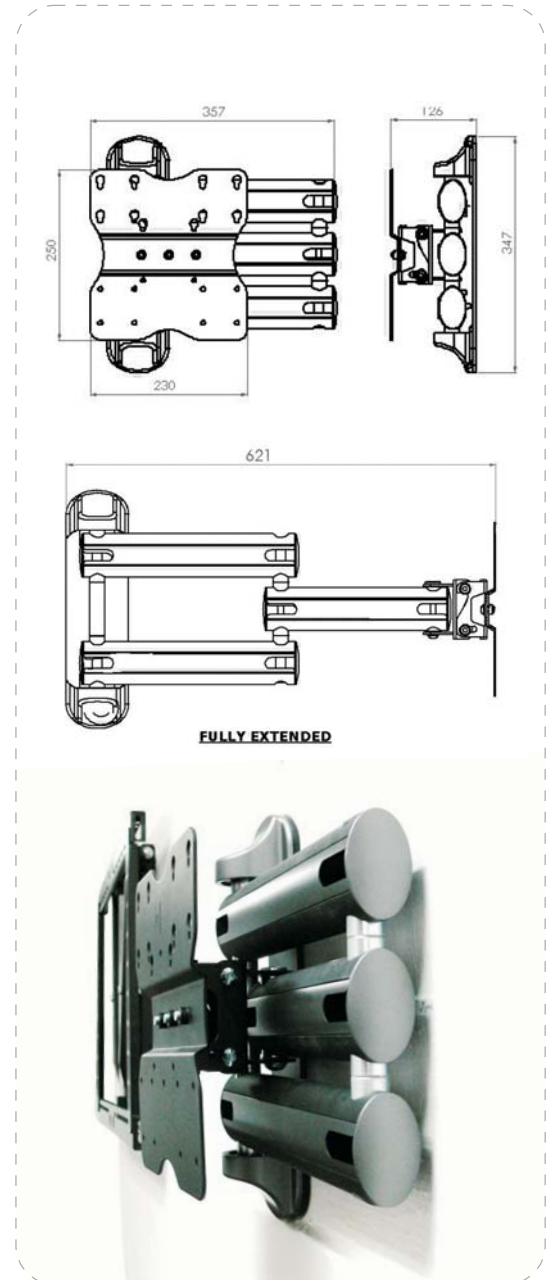
- Easy Adjustment
- Quick & Easy Installation

AV-506

SPECIFICATIONS

AV-415W2

Plasma size	Suitable for 23" - 38"
Wall Plate dimension	90mm x 347mm
Distance from Wall	125mm
Load Capacity	36.4kg



Distributed by:

ABTUS[®]