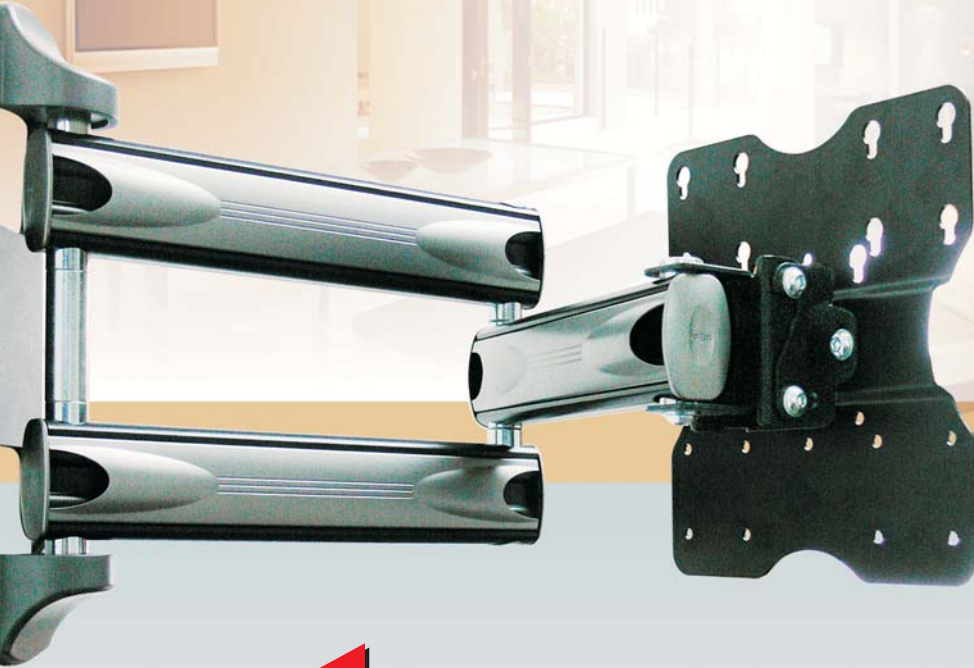


PLASMA / LCD CANTILEVER MOUNT

Easy Installation | Light Weight Profile | Cable Management



Suitable for
23" - 37"
Plasma/LCD Display

ABtUS[®]

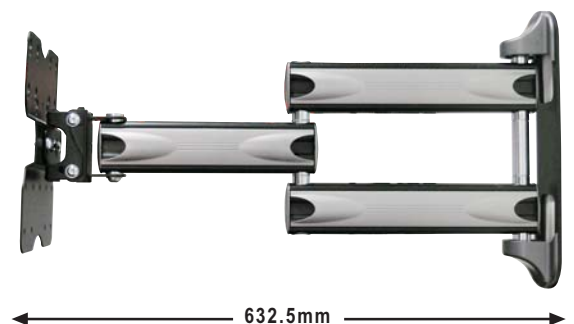
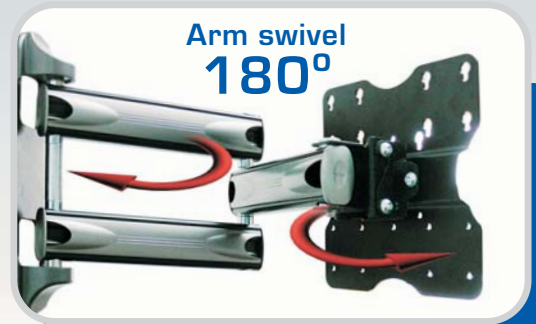
**BEHIND YOUR PRIZED PLASMA DISPLAY,
YOU NEED A GREAT SUPPORT**

Designed for all discerning owners of their prized flat plasmas and LCDs, **ABtUS AV508-WP1** Universal Plasma/LCD Cantilever Mount support any **23" - 37"** flat panels. Its ultra sleek design provides the ultimate wall mounting solution that is very safe and discreet, keeping the panel **125.5 mm** away from the wall.

Safety is further enhance by its double locking device to deter theft, making it suitable even for a public and high traffic environment.

FEATURES:

- Fast and Easy Installation
- Designed for 23" - 37" Flat Panel TV's
- Integrated Cable Management
- Arm Swivel 180 degrees
- Tilt Angle -5 / +15 degrees
- Lift N' Lock Installation
- COLOR - BLACK Powder coating
- Maximum Weight Capacity: 80 lbs. (36.4Kg)
- VESA Compliant:
VESA 75x75, 100x100, 100x200, 200x200



AV508-WP1

PLASMA

LCD CANTILEVER MOUNT

Easy Installation

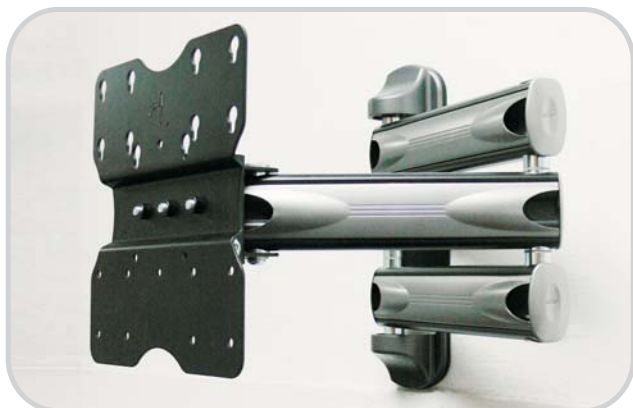
Light Weight Profile

Cable Management

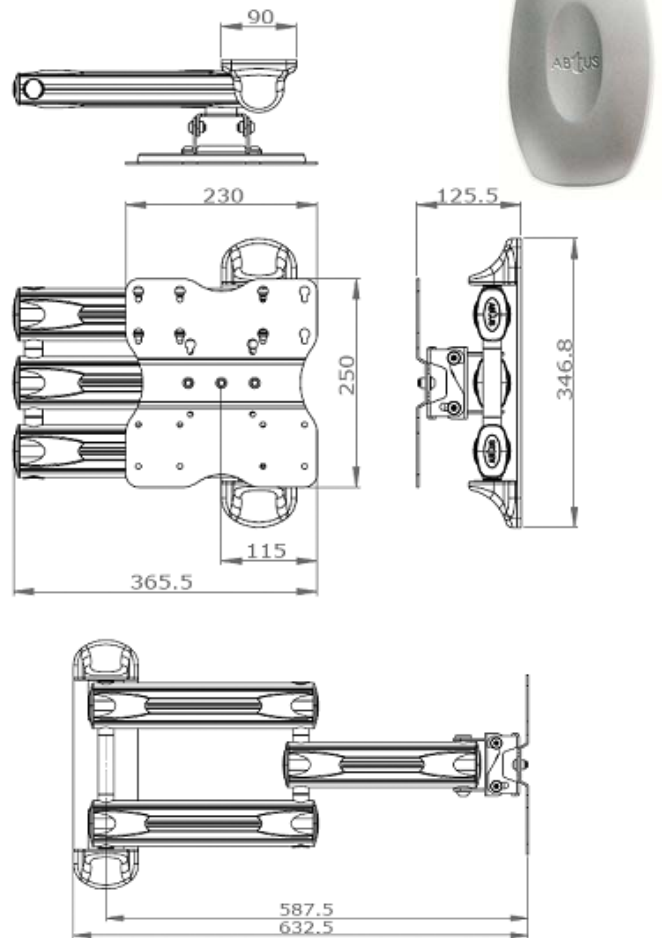


SPECIFICATIONS:

Plasma size	Suitable for 23" - 37"
Wall Plate Dimension	250mm x 365.5mm
Distance from Wall	125.5mm
Load Capacity	80 lbs. (36.4kg)
Color	Black Powder Coating



Technical specifications:



Fully extend

Distributed by:

