

PLASMA / LCD CANTILEVER MOUNT

Easy Installation | Light Weight Profile | Cable Management



Suitable for
23" - 37"

Plasma/LCD Display

ABtUS[®]

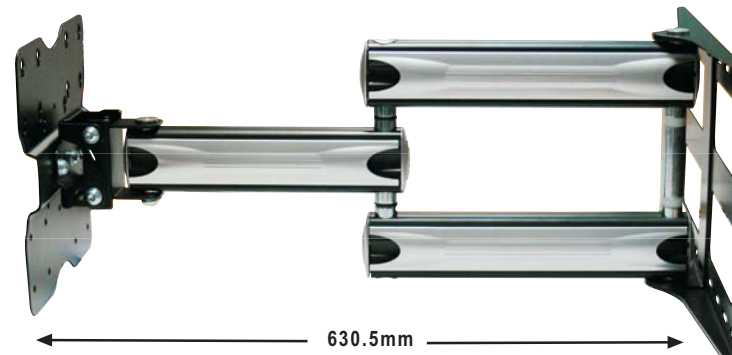
**BEHIND YOUR PRIZED PLASMA DISPLAY,
YOU NEED A GREAT SUPPORT**

Designed for all discerning owners of their prized flat plasmas and LCDs, **ABtUS AV508-WP5** Universal Plasma/LCD Cantilever Mount support any 23" - 37" flat panels. Its ultra sleek design provides the ultimate wall mounting solution that is very safe and discreet, keeping the panel 126 mm away from the wall.

Safety is further enhance by its double locking device to deter theft, making it suitable even for a public and high traffic environment.

FEATURES:

- Fast and Easy Installation
- Designed for 23" - 37" Flat Panel TV's
- Integrated Cable Management
- Arm Swivel 180 degrees
- Tilt angle -5 / +15 degrees
- Lift N' Lock Installation
- For Concrete and Wood Stud Wall Mounting
- VESA Compliant:
VESA 75x75, 100x100, 100x200, 200x200



AV508-WP5

PLASMA

LCD CANTILEVER MOUNT

Easy Installation

Light Weight Profile

Cable Management

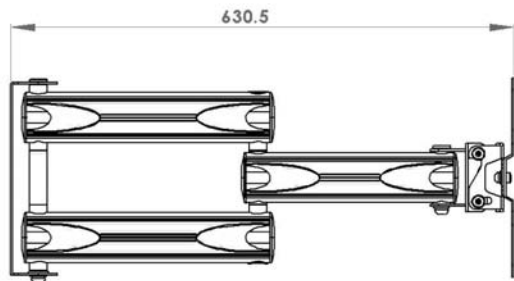
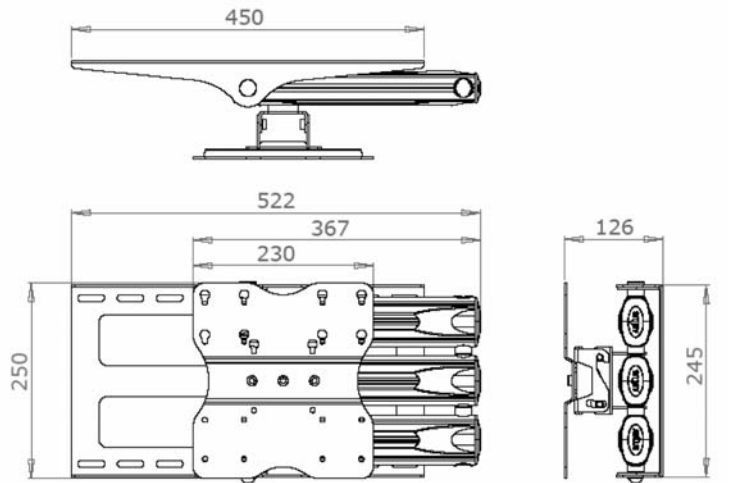


SPECIFICATIONS:

Plasma size	Suitable for 23" - 37"
Wall Plate dimension	250mm x 522mm
Distance from Wall	126mm
Load Capacity	100 lbs. (45.5kg)
Color	Black Powder Coating



Technical specifications:



Fully extend

Distributed by:

