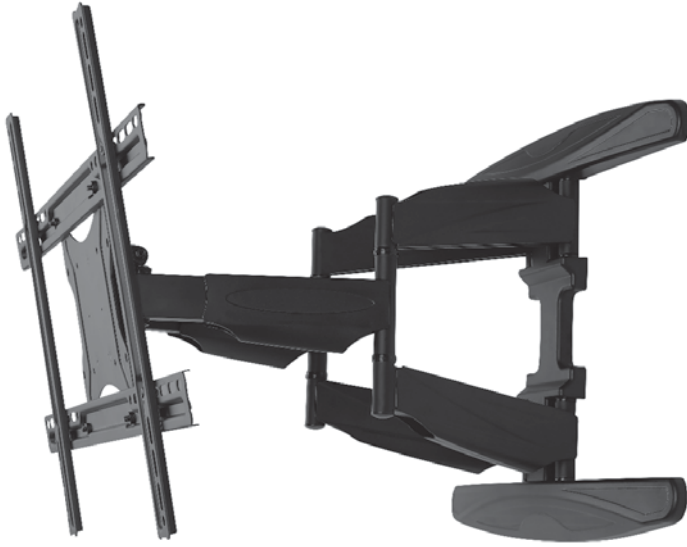


AV511 LCD/LED Display Double Arm Cantilever Mount



This double arm cantilever mount is designed with 4 arms for more stable and smoother movement. It comes with a front plate with varies VESA mounting standard.

Features

- Fast and easy installation
- Single arm provide 180 degrees viewing angle
- Included with mounting kit (hardware)
- Integrated cable management
- VESA mounting holes 400 x 400 max

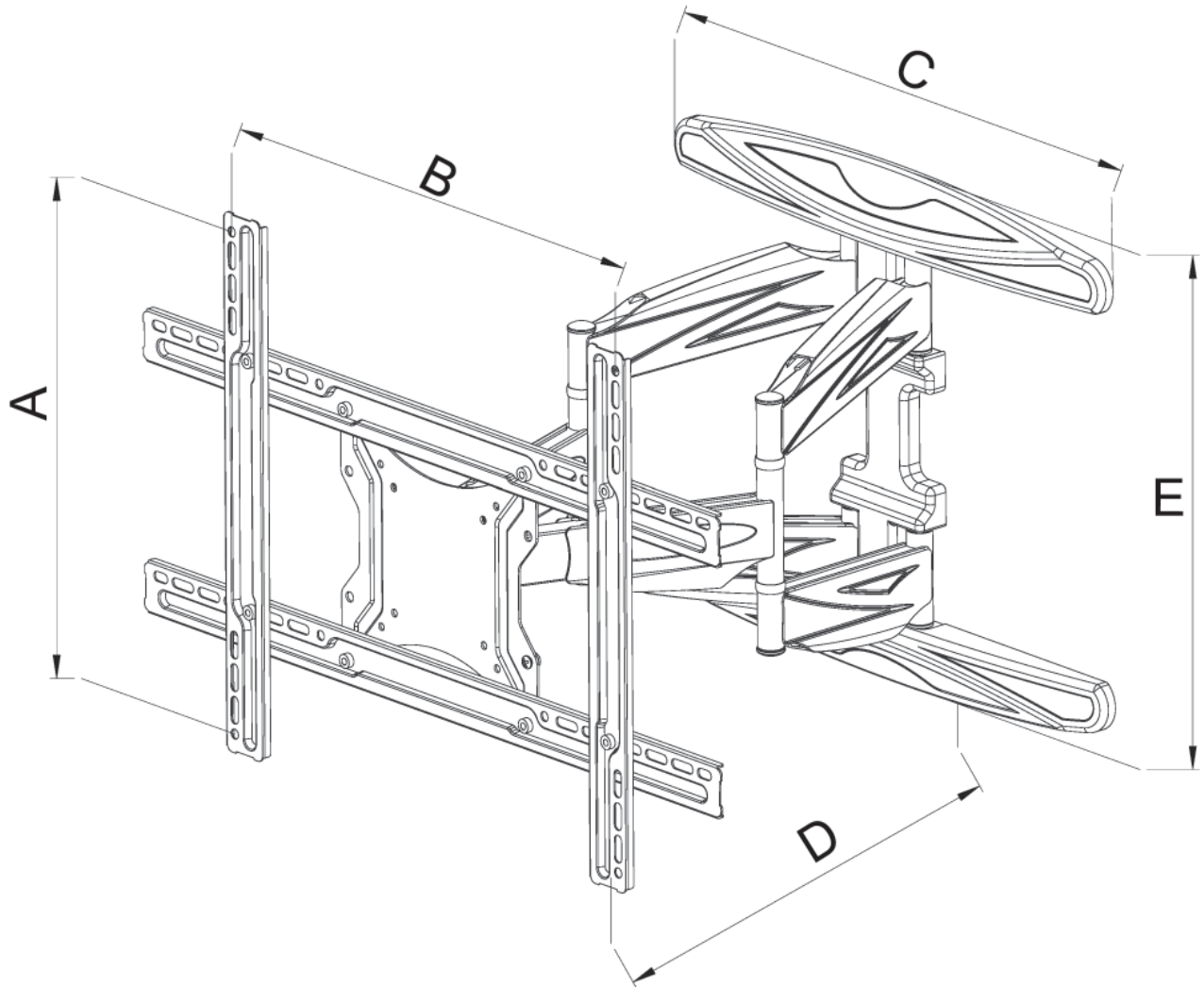
Technical specification

Plasma size:	Suitable for 40" to 80"
Gross dimension:	695mm x 460mm x 65mm 27.36" x 18.11" x 2.56"
Gross weight:	8.3 kg (18.3 lbs)
Arm Swivel:	180 degrees
Tilt angle:	-2/+12 degrees
Swivel angle:	53-496 mm (2.1"-19.5")
Load capacity:	50 kg (110 lbs)
Color option:	Black

AV511

LCD/LED Display Double Arm Cantilever Mount

Diagram



	mm	inch
A	100-400	3.94"-15.75"
B	100-600	3.94"-23.62"
C	480	18.90"
D	53-496	2.09"-19.53"
E	364	14.33"