

INSTALLATION GUIDES:

**Step 3:**

You can adjust the viewing angle by adjusting the display screen directly. If it is too loose, you can tighten the nuts by wrench as the below drawing shown. (Figure4)

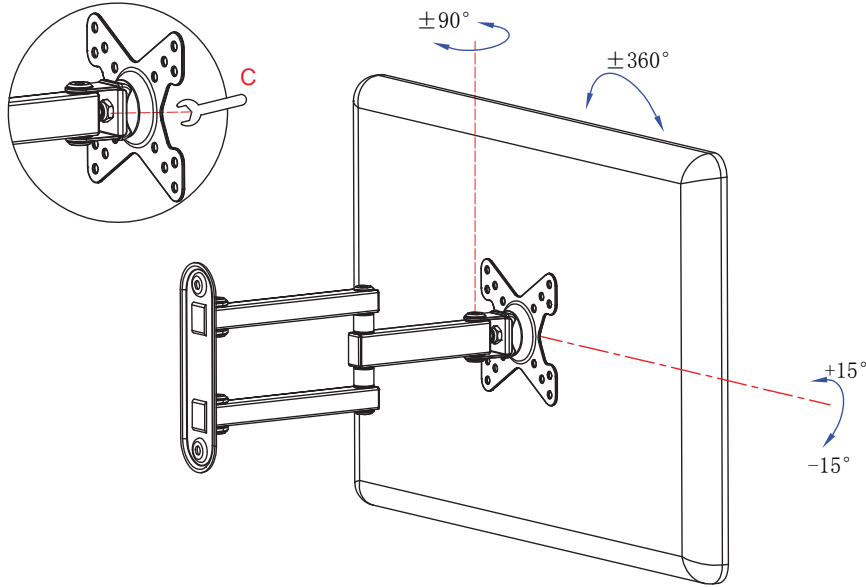


Figure 4

**PAY EXTRA CARE AND ATTENTION WHEN YOU FASTEN TV MOUNTS TO THE BACK PANEL OF TV IN STEP 2 . MAKE SURE THE APPROPRIATE MOUNT HARDWARE IS BEING USED PROPERLY .**

1. Select correct Mounting Hardware according to the screw hole size of your TV, discard any remaining screws or spacers.
2. Carefully lay your TV on its face on a non-abrasive surface, making sure to lay padding underneath it so as not to damage the screen .
3. Place left TV mount and right mount in the appropriate position, making sure CENTERED on the back of the TV and LEVEL with on another

\*\* For details and updated Command and Program Software, please visit and download from [www.abtussingapore.com](http://www.abtussingapore.com)

*\*Specifications are subject to changes without notice.*

# LCD/LED Monitor Display Double Arm Wall Mount



Model: AV541

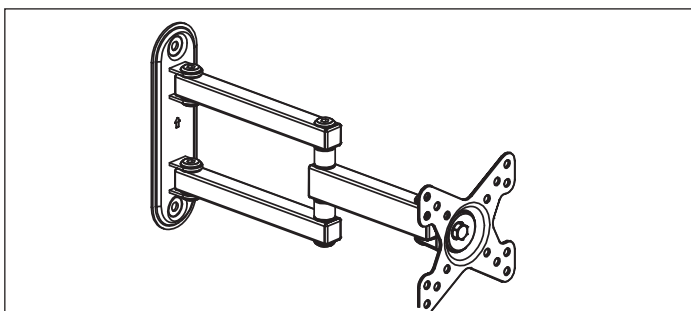
Revision 0

## FEATURES:

- Please read this instruction carefully before assembling.
- Fits for 19"-32" plasma and LCD TV.
- Max. load Capacity : 15KG (33 LBS).

## PACKAGE CONTENTS

### Parts list



**Item 1**  
Wall Plate - 1 pc

### Assembly hardware

1		A-lag bolt 4pcs
2		B-anchor 4pcs
3		C-spanner 1pc
4		D-4mm Alley key 1pc

### Hardware for TV Assembly

a) M4X15 bolt 4pcs b) M4X30 bolt 4pcs	c) M5X15 bolt 4pcs d) M5X30 bolt 4pcs	e) M6X15 bolt 4pcs f) M6X30 bolt 4pcs	g) M8X20 bolt 4pcs h) M8X40 bolt 4pcs
i) M8 spacer 4pcs	j) M5/M6 spacer 4pcs	k) M5/M4 washer 4pcs	L) M6 washer 4pcs

## INSTALLATION GUIDES:

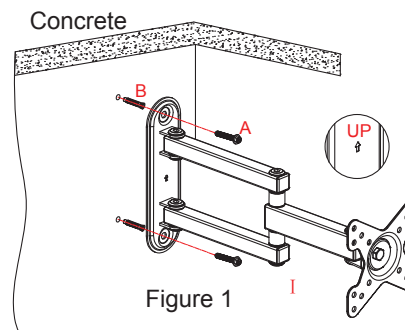


Figure 1

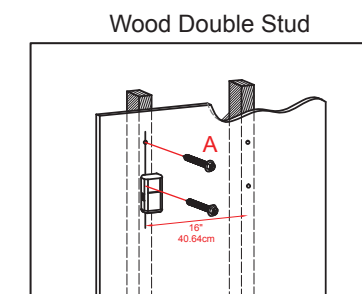


Figure 2

### Step 1:

Hold wall plate (I) against wall at desired position, then using a pencil mark the locations of the 2 holes. Then drill holes according pencil marks using 2/5" or 10mm size drill bit to a depth of 2.4"/60mm.

If you mount TV mount into studs, pre-drill the mark 2 holes using 4mm drill bit, fix wall plate (I) to the wall with screws (A). If you are not mounting into studs, then you will need to use wall anchors (B). Insert wall anchors (B) into holes, you may need to use hammer to lightly tap wall anchors into wall. Then fix wall plate (I) to the wall with screws (A).

### Step 2:

Fix TV plate to the back panel of TV (Figure 3)

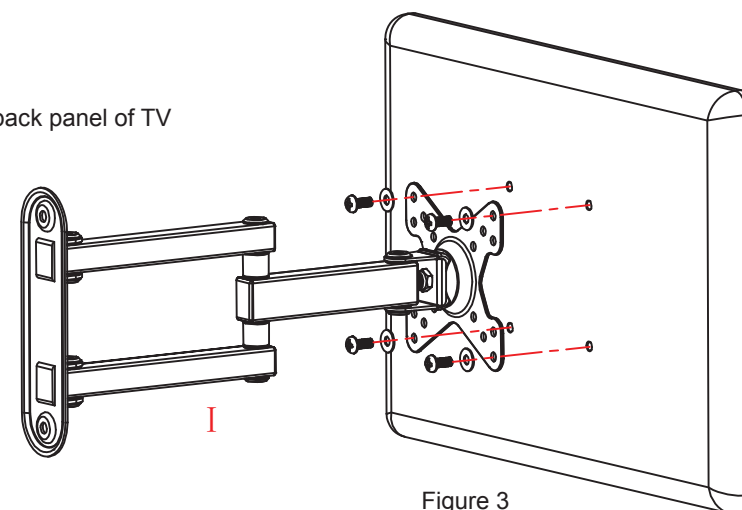


Figure 3