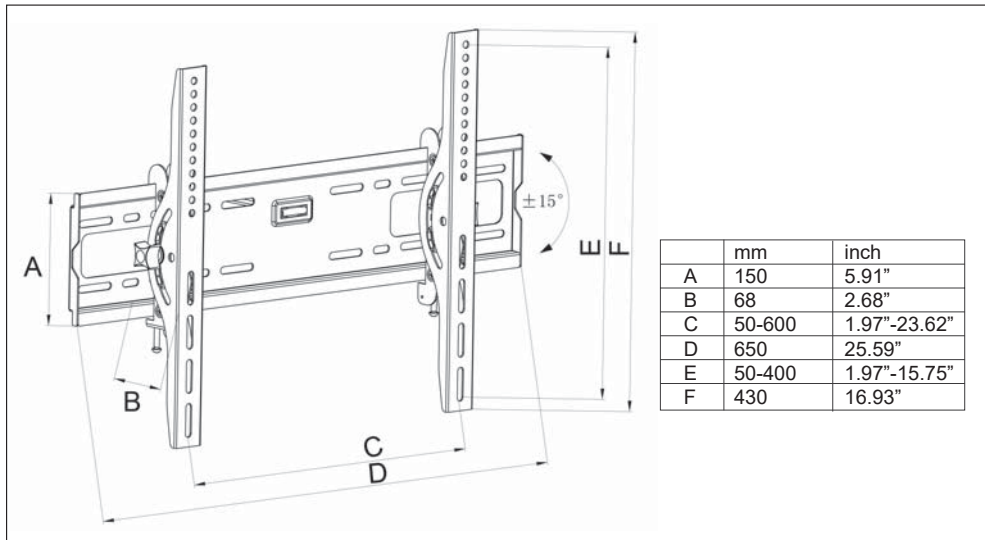


SPECIFICATION

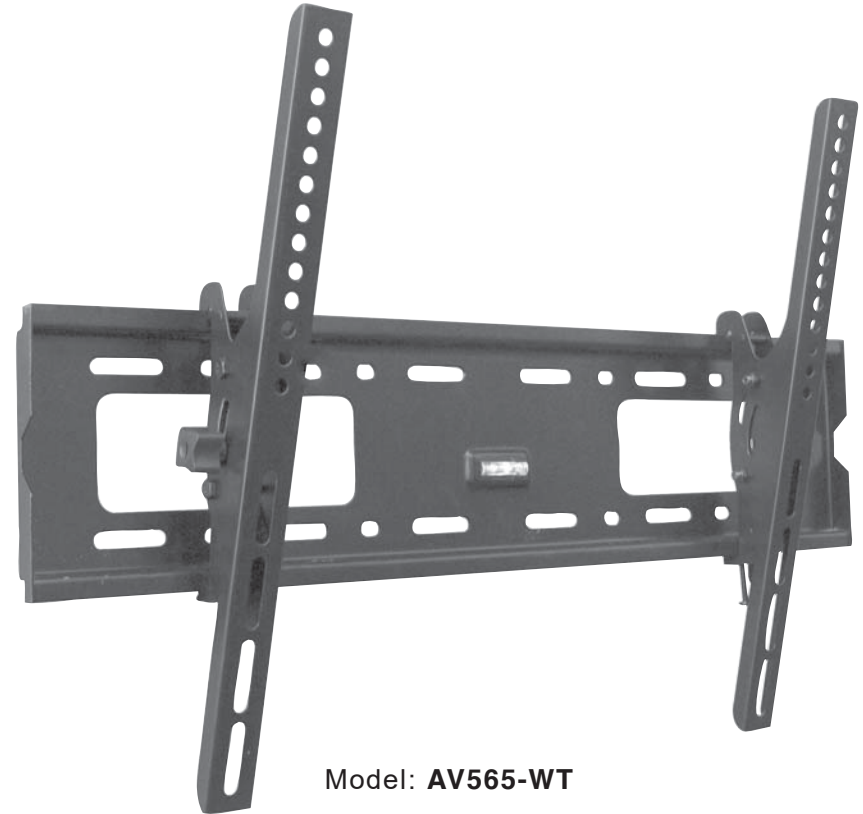
Model Name	AV565-WT
LCD/LED SIZE	Suitable for 32" to 75"
GROSS DIMENSION	670 x 165 x 48 (mm)
GROSS WEIGHT	3.2 kg
TILT ANGLE	-15 ^o /+15 ^o degrees
VESA MOUNTING HOLES	600 x 400 Max
DISTANCE FROM WALL	68 mm
LOAD CAPACITY	60 Kgs
COLOUR OPTION	Black

* Specifications are subject to changes without notice.

DIMENSION OVERVIEW



LCD/LED Display Wall Mount



19.02.2019

WARNING

- 1) Do not over tighten screws during installation. Over tightening can cause damage to the screws and greatly reduce their ability to support the weight of the display.
- 2). Ensure that the mounting screws are anchored to the center of studs. Use of an "edge to edge" stude finder is highly recommended.

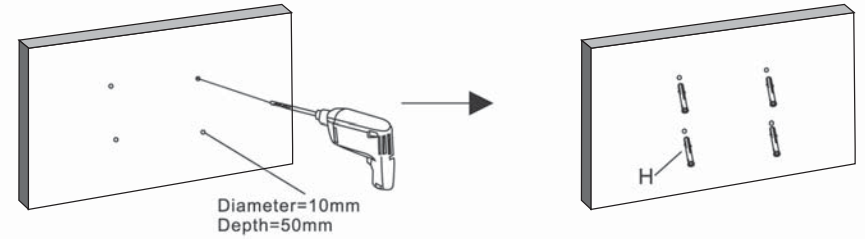
User Operation Guide

PACKAGING CONTENT

	Item		
	A	Bolt M5x16	4 sets
	B	Bolt M5x30	4 sets
	C	Bolt M6x16	4 sets
	D	Bolt M6x30	4 sets
	E	Bolt M8x16	4 sets
F	Bolt M8x30	4 sets	
	Item		
	G	Lag bolt St8x50	4 sets
	Item		
	H	Concrete anchor 10x40	4 sets
	Item		
	I	Spacer with 3 holes	4 sets
	Item		
	J	Ø8.5x18x1.5 Spacer	4 sets
	Item		
	K	Ø8.5x18x1.5 Washer	4 sets

Item		Item	
L	TV Board 2 sets	M	Wall Board 1 set

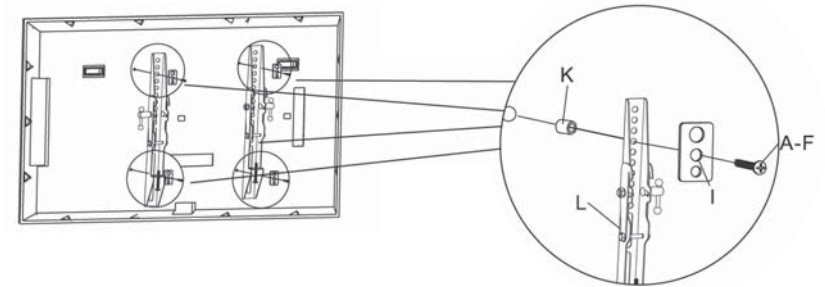
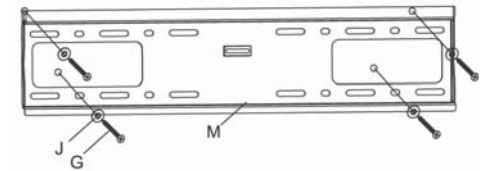
INSTALLATION



Step 1: Mounting the wall board to the studs

Drill holes onto the wall and put 10x40 Concrete anchor (H) into the holes. Fit the wall board to the wall using ST8x50 Lag bolt (G) and Ø8.5x18x1.5 Spacer (J) as shown above / right fig.

Keep the bubble level aline.



Step 2:

Mount the TV set onto the TV board using A-F bolt packed in accessories package. Fix the screw (A-F) and Spacer (I) to the TV set mounting holes as shown in above fig.

Step 3: Putting the wall mounted TV board with screen to the wall board

Hand the TV set mounted on the TV board (L) to the wall board (M). Finally, put the locking bar into the matched hole.

