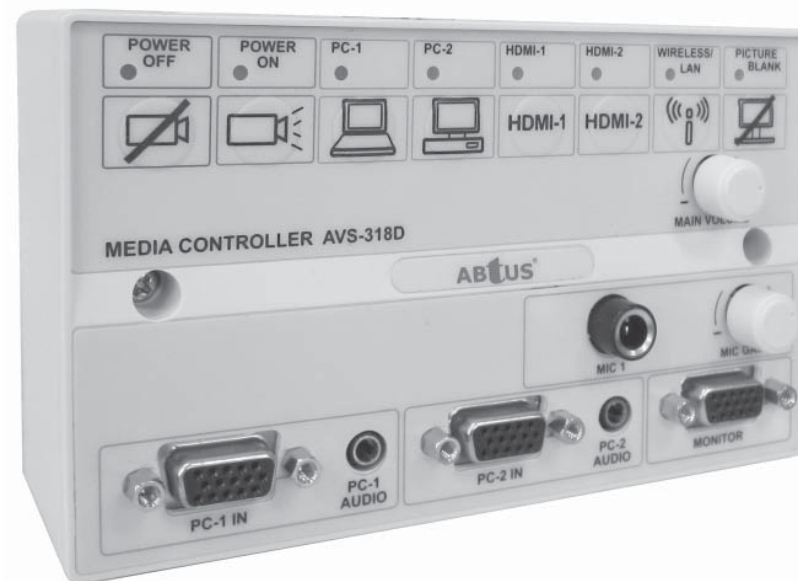


SPECIFICATION

INPUT:	2 × VGA Input (*D-Sub 15pin) 2 × PC-Audio (*3.5mm) 1 × Mic Input (*6.3mm) 2 × HDMI Input (19 pin female with build in buffer) 1 × 12V DC Jack
OUTPUT:	1 × CAT5 TMDS output (To RX) 1 × CAT5 DDC output (To RX) 1 × VGA monitor output 1 × HDMI monitor output 1 × Main Stereo Audio
VGA BANDWIDTH:	900MHz (R+G+B)
MAX RESOLUTION:	Full HD 1080p (HDMI)
ALL CABLE LENGTH:	Up to 15 meter *subject to grade of cables used
CONTROL BUTTON:	Number of user defined "Control Button" :8 (10 commands) Available protocol for each "Control Button" :1 (or × 2 depending on configurations)
LED	With LED indication and buzzer for confirmation
VIDEO SELECTION:	All Video/HDMI/VGA/USB Input Switching Digital
AUDIO SELECTION:	Audio Input Switching Digital
VOLUME:	Main Volume Control Analog
MIC GAIN:	Microphone Input Gain Control Analog
POWER ADAPTOR:	12V-DC, 1A
HOUSING:	ABS
GROSS DIMENSIONS:	200 × 200 × 80 mm
GROSS WEIGHT:	936 g

Multimedia Controller Switcher



Model: **AVS-318D**

Revision 19.04.2017

** For details and updated Command and Program Software, please visit and download from www.abtussingapore.com
*Specifications are subject to changes without notice.

Typical Applications

Any professional presentation system requiring multiple AV Inputs of all different type of Video standard and a standard projector controller.

- Schools (Media Classroom)
- Churches
- Corporate Applications (Meeting Room)

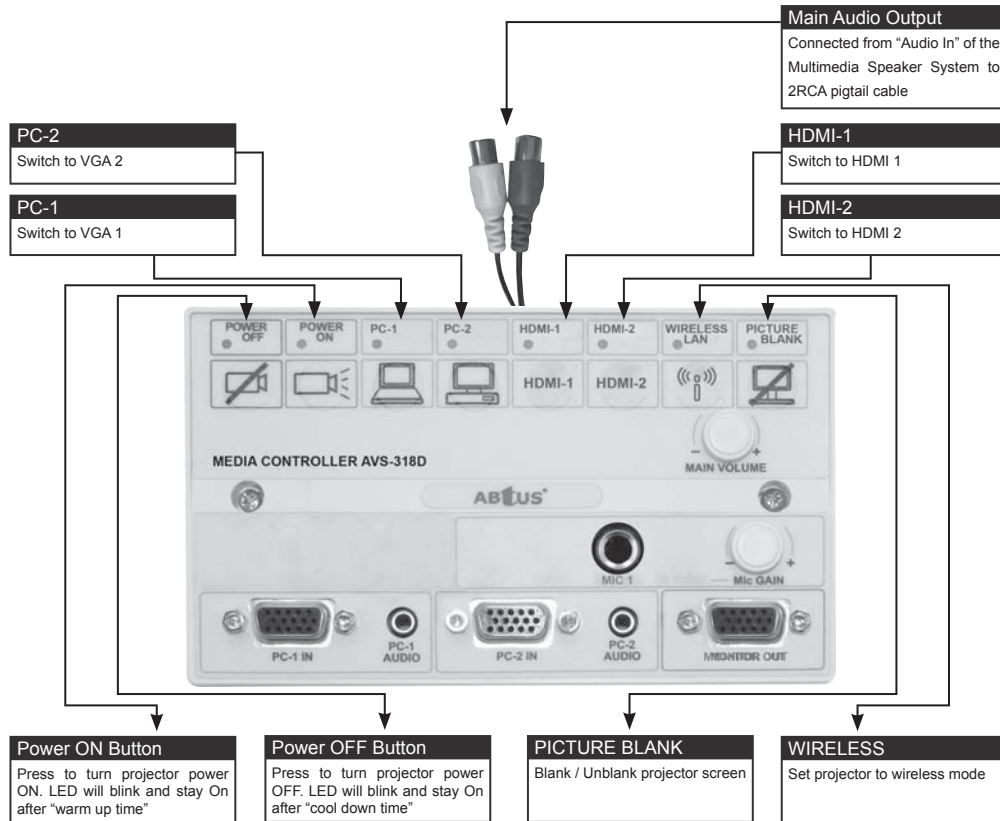
PRODUCT DESCRIPTION

The ABtUS AVS-318D Media Control Panel is one of the most user friendly and installer friendly unit that is specifically designed for a easy and central control of any AV projection system. It removes the need for over-complicated and multiple remote control handsets. With CAT5 outputs and power over cable (POC), the AVS-318D can be done easily and within minutes.

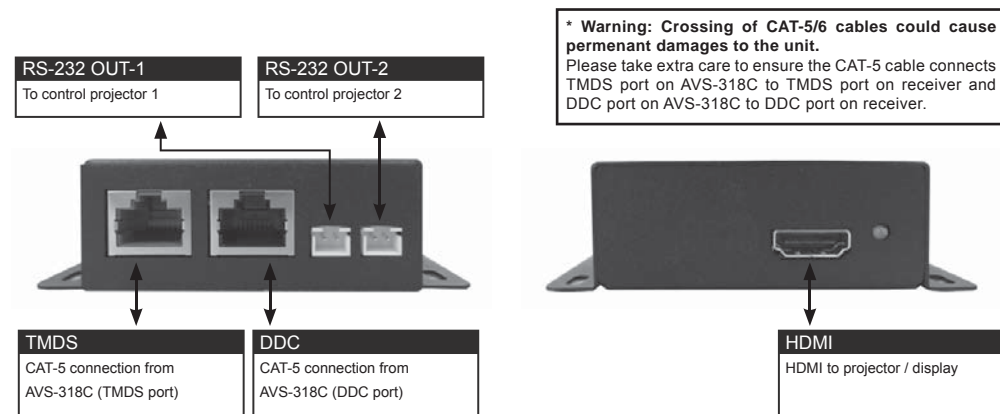
PRODUCT HIGHLIGHTS

- "User Programmable" with Window base Application Software
- Simple to used with one to one function controlled button
- CAT5 outputs allows for quicker installations.
- Power over cable (POC).
- Support up to 15m
- Supports USB (HID) , VGA and HDMI
- Works well with any monitors, projectors as well as interactive system
- Scan convert VGA input and output to HDMI

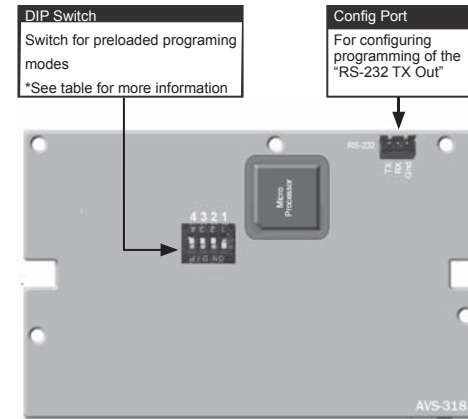
TURNING ON AND BASIC OPERATION CONTROL



RECEIVER



PROGRAMMING INSTRUCTIONS



CONFIGURATION COM PORT:

1 × RS-232
(9600, 8 data bit, Non Parity and 1 stop bit)

COM PORT:

1 × RS-232 (8 Data Bit and 1 Stop Bit)
Baud Rate(9600 to 115200)
Parity Bit (Non, Even or Odd)

DELAY TIME:

Projector "ON/OFF" delay time (*in sec) 1 to 99

AVS-318D Dip switches setting:

Projector Models for reference	Dip Switch 1	Dip Switch 2	Dip Switch 3	Dip Switch 4	Baud Rate
Panasonic PT-VW530	On	Off	Off	Off	9600/n/1
Panasonic PT-LB330	On	Off	Off	On	19200/n/1
Sony VPL-EX245	On	Off	On	Off	38400/e/1
Hitachi	On	Off	On	On	19200/n/1
NEC M300X	On	On	Off	Off	38400/n/1
Vivitek D837 Promethean EST-P1	On	On	Off	On	9600/n/1
CASIO XJ-M150	On	On	On	Off	19200/n/1
EPSON EP-470	On	On	On	On	9600/n/1
ISP (default BENQ)	Off	On/Off	On/Off	On/Off	115200/n/1

SYSTEM DIAGRAM

