

## AVS-SSR8/3 Projector Screen Controller (\*With IR Remote Controller)



**AVS-SSR8/3** is a simple IR Motorized Screen Controller. It can easily be integrated into a Home Theater, a Media Class Room, a Meeting Room and many more. It is also able to integrate with any third party central control system through dry contact closure. Simple integration with direct power control of 220 to 240 VAC 50Hz/60Hz (motorized screen).

### Features

- Simple and direct connection to any motorized projector screen
- With Dry contact control, allow integration with any third party central controller

### Technical specification

<b>Control:</b>	Hard button, IR Remote or Dry Contact Closure (Voltage Free)
<b>I/O port:</b>	5 X 5.0mm Screw Type Connector (AC-N, AC-L, Common, Screen Up and Screen Down) 1x4 port 3.8mm screw type terminal block (Dry contact control)
<b>AC relay current rating:</b>	MAX. Load 240VAC 1.8A
<b>Housing:</b>	ABS
<b>Dimension:</b>	86 x 86 x 40 mm
<b>Weight:</b>	130 g
<b>Power source:</b>	220VAC to 240 VAC, 50/60 Hz
<b>Accessories:</b>	IR Remote Controller

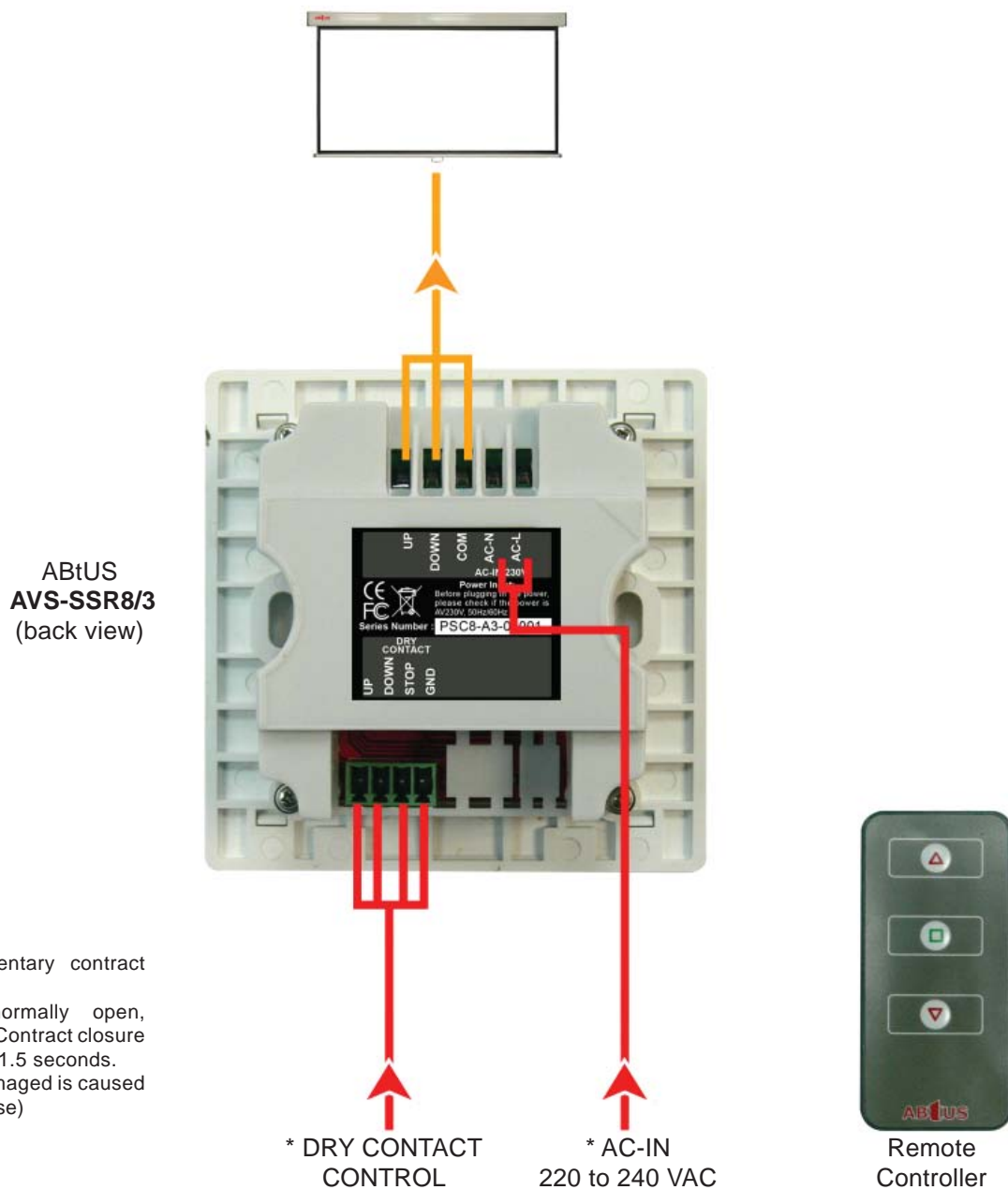
# AVS-SSR8/3

## Projector Screen Controller (\*With IR Remote Controller)

### Typical applications

Any professional presentation system requiring multiple AV Inputs of all different type of video standard and a standard projector controller.  
• Schools (Media Classrooms) • Churches • Corporate Applications (Meeting Rooms)

### Diagram



\* Work on momentary contact closure (dry contact, normally open, voltage free) only. Contract closure must set close for 1.5 seconds. (Warranty void damaged is caused by inappropriate use)