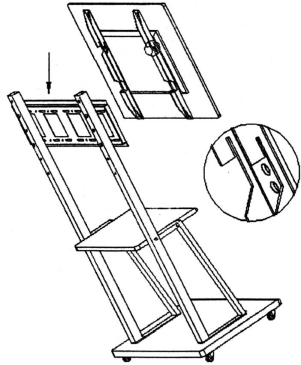
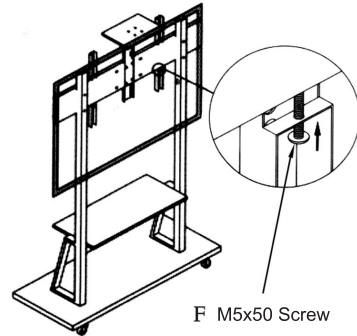


INSTALLATION

7) Lift and Hook the TV assembly in Step-6 onto Back Plate.



8) Secure and lock the TV assembly with the M5x50 Screw (No. F)



F M5x50 Screw

SPECIFICATION

| | |
|---------------------|----------------|
| Suitable Size: | 32" - 70" |
| Max.Load Capacity: | 60 kg |
| Height from ground: | 1900mm |
| Max. VESA: | 400 x 600 mm |
| Swivel: | 360° |
| Gross Dimension: | 1700x400x600mm |
| Gross Weight: | 15kg |

** For details, please visit and download from www.abtussingapore.com

*Specifications are subject to changes without notice.



Mobile Stand 32"-70"



Model: AV393

PACKAGE CONTENT

| No. | Part Name | Qty |
|-----|------------------|-----|
| 1 | Base | 1 |
| 2 | Pole | 2 |
| 3 | Shelf | 1 |
| 4 | Hook | 2 |
| 5 | Back Plate | 1 |
| 6 | Top Tray Bracket | 1 |
| 7 | Top Tray | 1 |

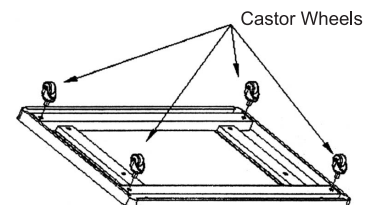
Spec:

1. Max VESA: 600x400mm
2. Max Load capacity: 60Kg
3. Suitable for TV size: 32" – 70"

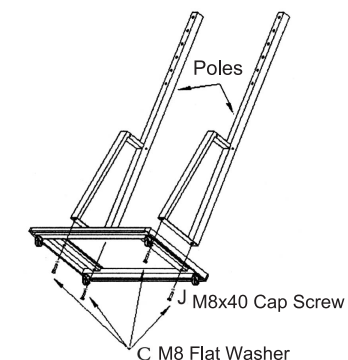
| No. | Part Name | Qty |
|-----|------------------------|-----|
| A | Spanner | 1 |
| B | M8x55 Pan Head Screw | 4 |
| | M8 Nylock Nut | 4 |
| C | M8x40 Cap Screw | 4 |
| | M6x50 Pan Head Screw | 4 |
| D | M6 Nylock Nut | 4 |
| | M6x10 Pan Head Screw | 4 |
| E | M6 Nylock Nut | 4 |
| | M6x10 Pan Head Screw | 4 |
| F | M6 Flat Washer | 4 |
| | M5x50 Screw | 2 |
| G | M8x25 Screw | 4 |
| | M4x16 Screw | 4 |
| H | M6x16 Screw | 4 |
| | M5x16 Screw | 4 |
| I | Dia 8x5 Plastic Washer | 4 |
| | M6 Flat Washer | 8 |
| J | M8 Flat Washer | 12 |
| K | Allan Key | 1 |

INSTALLATION

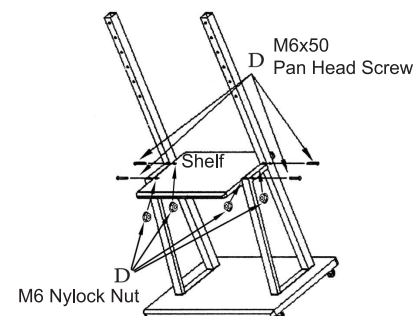
1) Fixing the Castor wheels to Base.
Engage the brake when fixing the wheels.



2) Fixing the Poles with the M8x40 Cap Screw (No. C) and 4pcs M8 Flat Washer (No. J).



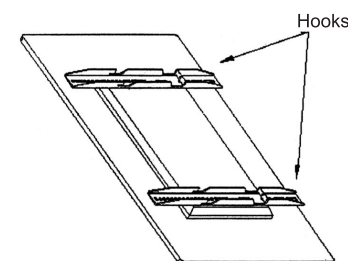
3) Fixing the Shelf with the M6x50 Pan Head Screw and M6 Nylock Nut (No. D).



4) Fixing the Back Plate with the M8x55 Pan Head Screw and M8 Nylock Nut (No. B) + 4pcs M8 Flat Washer (No. J).



5) Fixing the Hooks onto back of TV with the M8x25 Screw (No. G) or M4x16 Screw (No. G) depending screw size recommended by TV manual.



6) Fixing the Top Tray with the M6x10 Pan Head Screw + M6 Nylock Nut + M6x10 Pan Head Screw + M6 Flat Washer (No. E).

