

# LCD/LED Display Cantilever Mount (Double Arm)



Model: **AV515**

**Suitable for:**  
VESA 200x200  
VESA 300x300  
VESA 400x200  
VESA 400x400  
VESA 600x400

11.03.2025

## PRODUCT DESCRIPTION

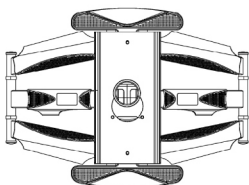
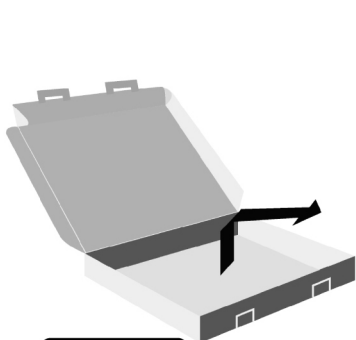
This double arm cantilever mount is designed with 4 arms for more stable and smoother movement. It comes with a front plate with varies VESA mounting standard.

## PRODUCT HIGHLIGHTS

- Fast and easy installation
- Integrated cable management
- VESA mounting holes 600 × 400 max
- Suitable VESA 200x200, 300x300, 400x200, 400x400 and 600x400

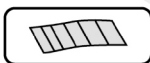
# User Operation Guide

## PACKAGING CONTENT



Tools Required:

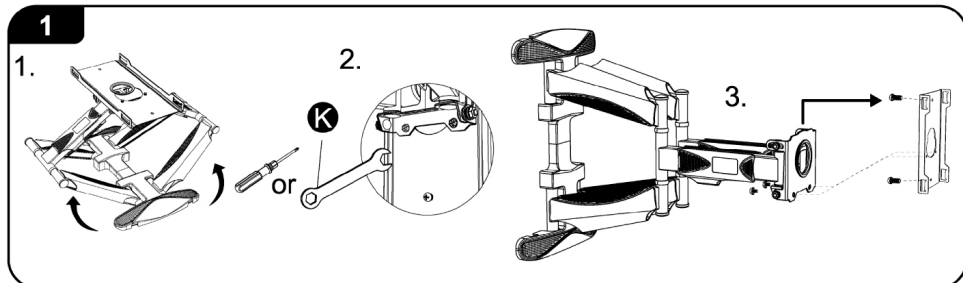
- 4mm Drill Bit
- 10mm Masonry Bit
- Phillips Screwdriver
- Carpenter's Level



Accessories

- |          |  |                 |          |  |                  |
|----------|--|-----------------|----------|--|------------------|
| <b>A</b> |  | (M5x25)-4pcs    | <b>G</b> |  | (M13x6x1.5)-4pcs |
| <b>B</b> |  | (M6x25)-4pcs    | <b>H</b> |  | (M6)-4pcs        |
| <b>C</b> |  | (M8x25)-4pcs    | <b>I</b> |  | (M6x20)-4pcs     |
| <b>D</b> |  | (M10x7x60)-6pcs | <b>J</b> |  | (M6x8)-2pcs      |
| <b>E</b> |  | (M7x70)-6pcs    | <b>K</b> |  | (M10)-1pcs       |
| <b>F</b> |  | (M15x8x10)-4pcs |          |  |                  |

## INSTALLATION

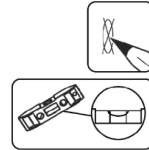
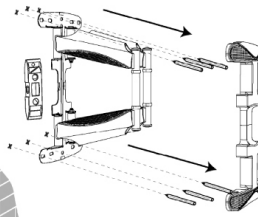
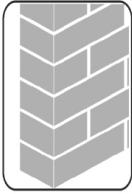


## INSTALLATION

Step 2 to Step 4 are two types of installation scenarios:

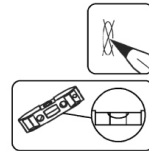
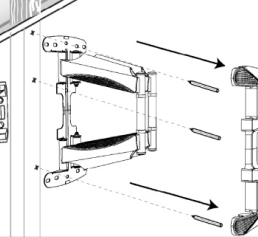
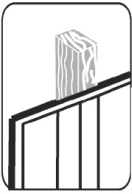
**2a**

Marked 6 locations on wall



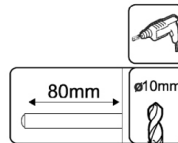
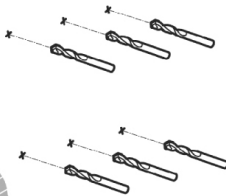
**2b**

Marked 3 locations on studs



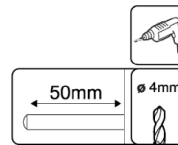
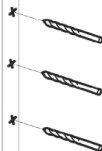
**3a**

Drill 6 holes at marked positions



**3b**

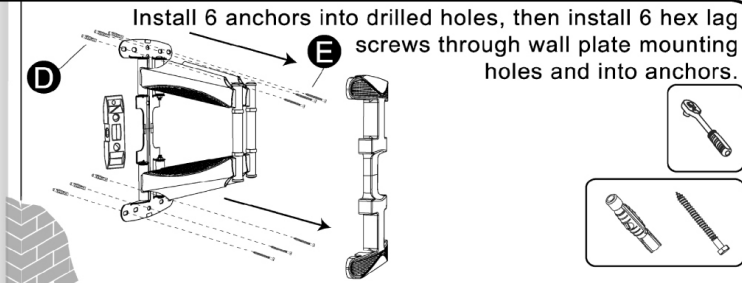
Drill 3 holes at marked positions



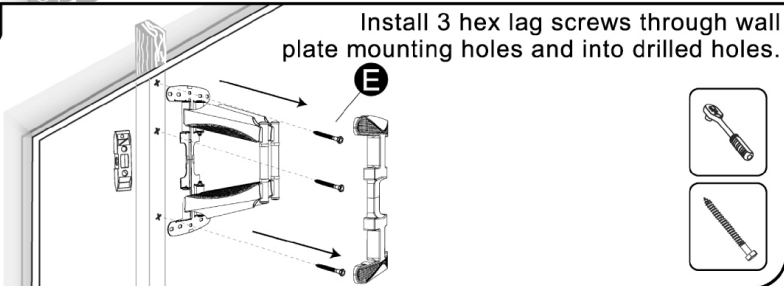
# User Operation Guide

## INSTALLATION

4a

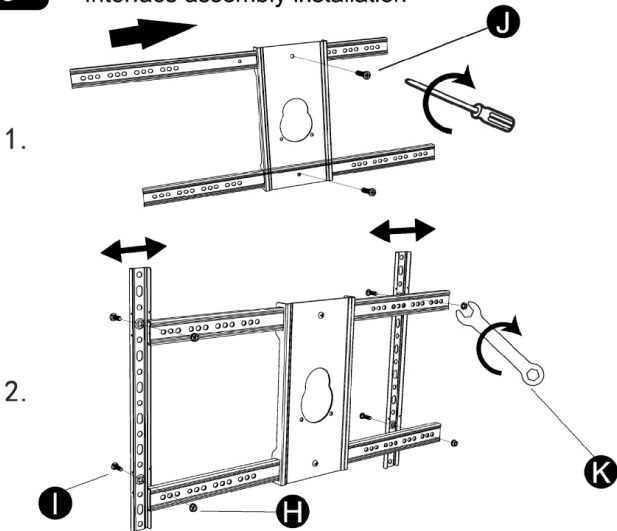


4b



5

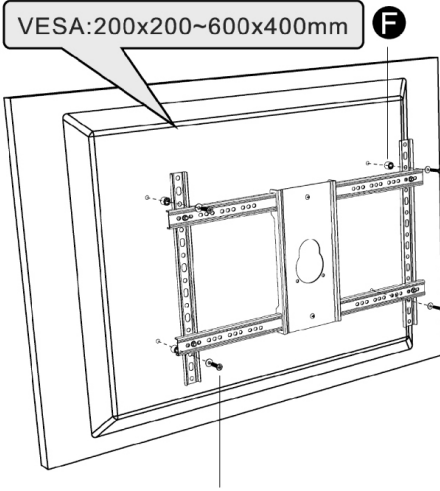
Interface assembly installation



INSTALLATION

**6** Install interface assembly to TV

VESA:200x200~600x400mm

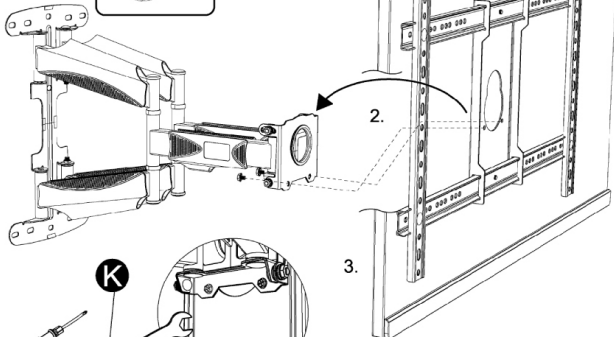
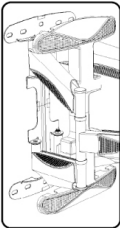


**A+G / B+G / C**

**7**

Put TV assembly onto mount

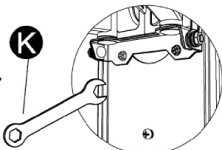
1.



**K**



or

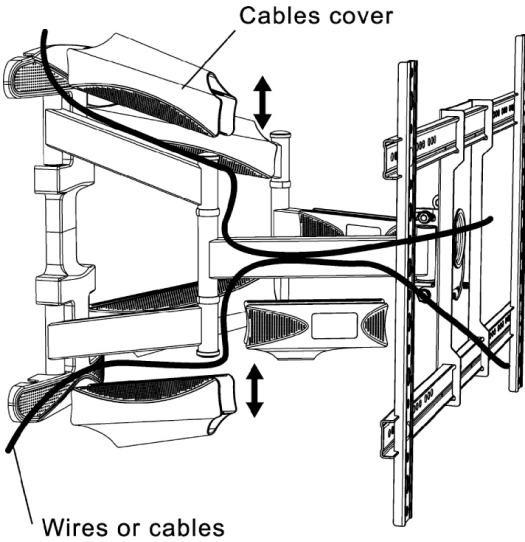


# User Operation Guide

## INSTALLATION

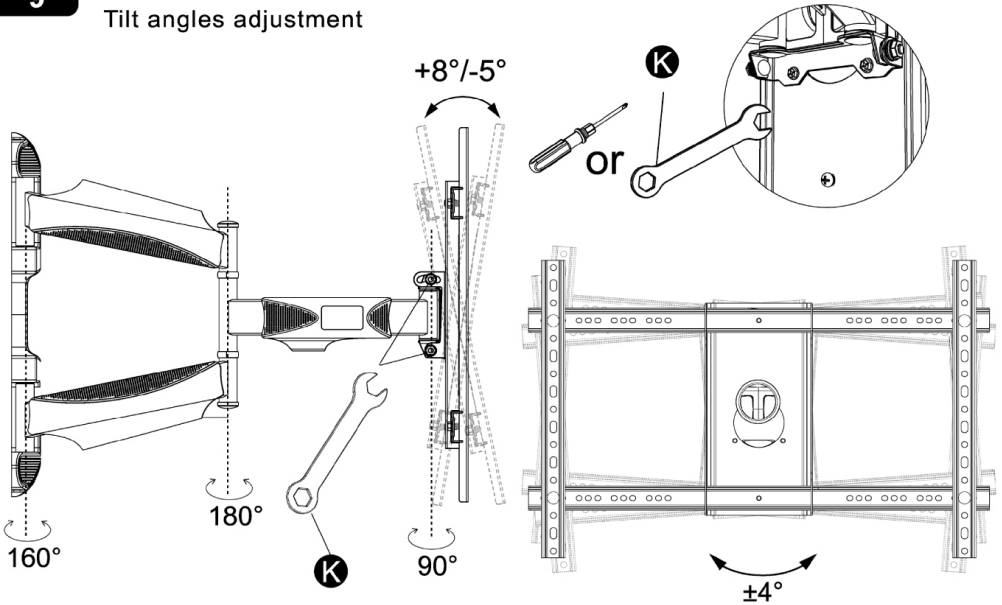
8

Cables management

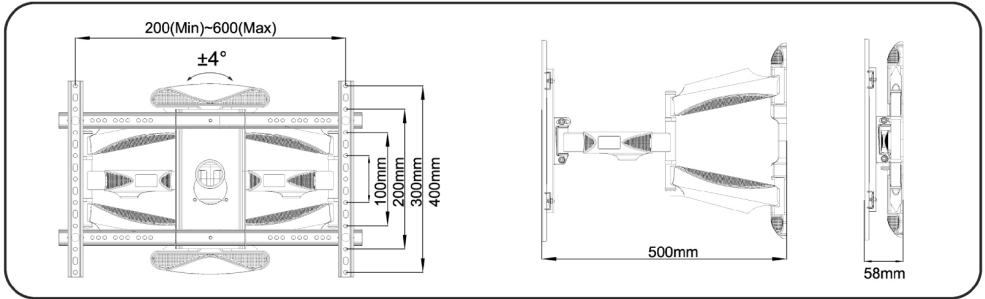


9

Tilt angles adjustment



## DIMENSION



## SPECIFICATION

|                     |                         |
|---------------------|-------------------------|
| Display Size:       | Suitable for 55" to 85" |
| Gross Dimension:    | 590mm x 290mm x 460mm   |
| Gross Weight:       | 28.7 kg                 |
| Arm Swivel:         | 180 degrees             |
| Tilt Angle:         | -5 / +8 degrees         |
| Distance from Wall: | 60 - 500mm              |
| Load Capacity:      | 68.2 kg                 |
| Cable Management:   | Yes                     |
| Color:              | Black                   |

*\* Specifications are subject to changes without notice.*

**ABTUS**  
S I N G A P O R E