

SPECIFICATION

Suitable Size : 10" to 19" LCD Monitor

VESA Standard : 75 / 100 compliant

Load Capacity : 8kg (17.63 lbs)

** For details and updated Command and Program Software, please visit and download from www.abtussingapore.com

*Specifications are subject to changes without notice.

LCD Monitor Table Mount (Double Arm)

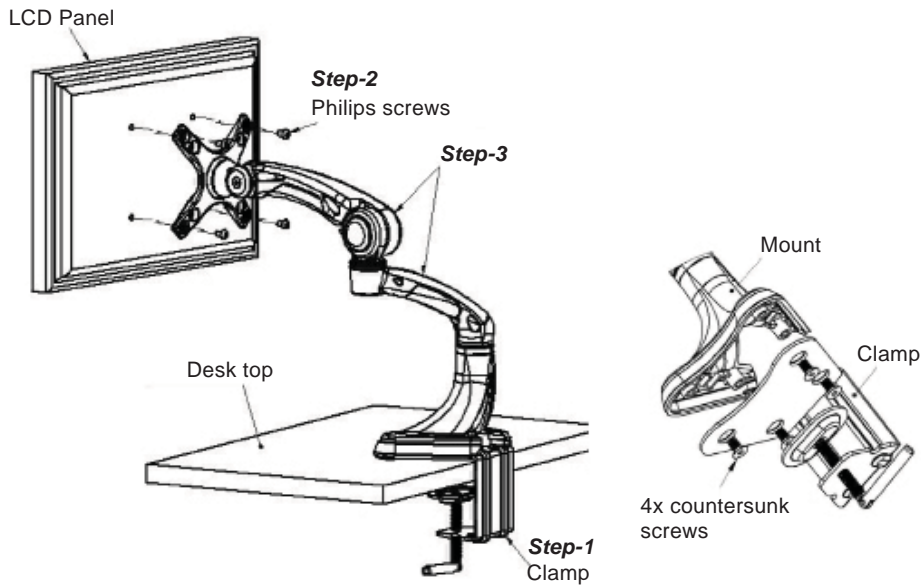


Model: **AV602-TC**

COMPONENTS

| | | |
|-------------------------------|--------------------------------|---------------------------------------|
| | | |
| Item 1 Mount - 1 pc | Item 2) Clamp - 1 pc | Item 3) Hardware Kit - 1 pc |

MOUNTING

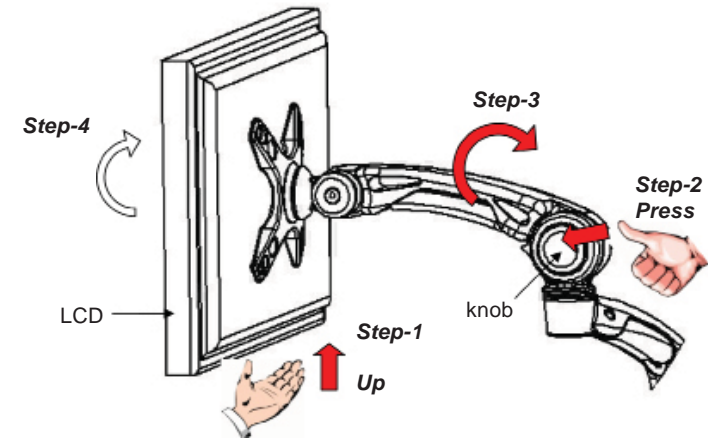


Steps 1: Fix Camp (Item-2) onto base of Mount (Item-1) with 4x countersunk screws provided in the hardware kit (Item-3). Clamp it onto a desk top.

Steps 2: Fix LCD Monitor with Philips head screws.

Steps 3: Adjust the LCD to your preferable height and position.

ADJUSTING THE MOUNT



Steps 1: With the LEFT hand holding the bottom of the LCD, lifts the LCD display up slightly.

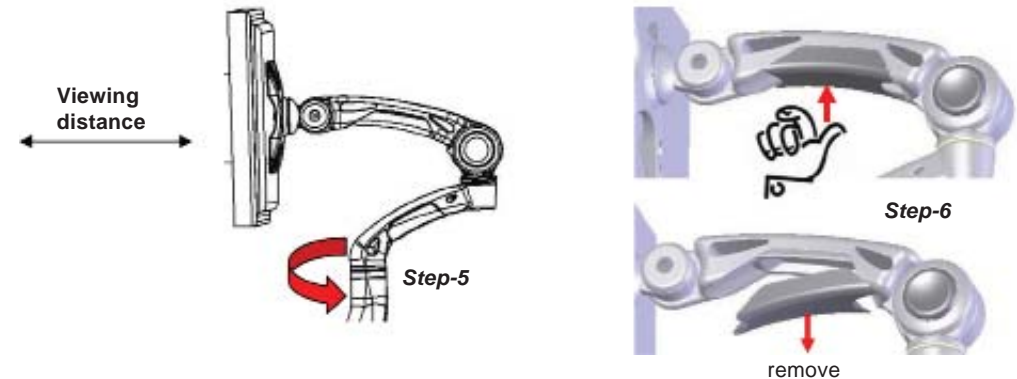
Steps 2: Disengage the gear by pressing the knob with the RIGHT hand thumb.

Steps 3: Adjust the LCD to your preferable height and release the knob until you hear a “click” sound

Steps 4: Tilt the LCD up or down to your preferable viewing angle.

Steps 5: Adjust the viewing distance by rotating the lower arm.

Steps 6: To remove covers for cable management, press cover with right-hand thumb and remove with the left-hand.



NOTE: Do consult a qualified and authorized service technician if you encounter any technical difficulties. We are not liable for any damage or injuries arising from any improper installation or mishandling. Now, enjoy your LCD TV unit !!