

# Plasma/ LCD Display Ceiling Mount

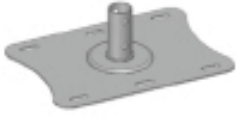












Model: **AV418**

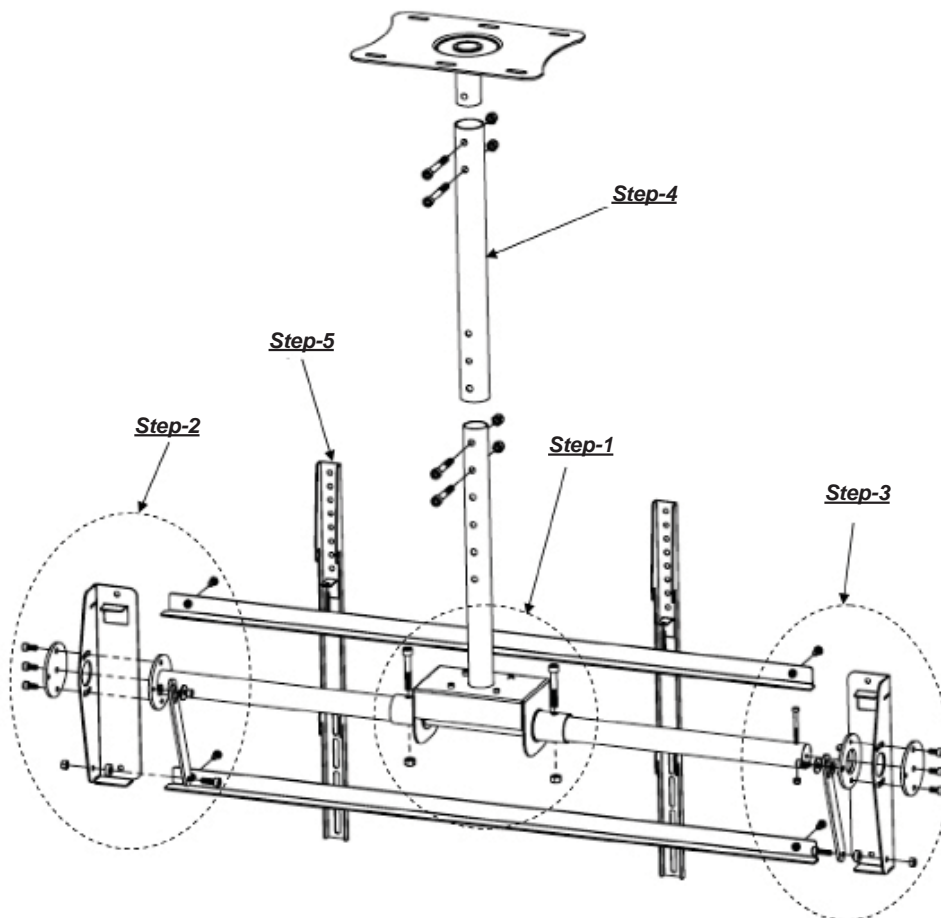
Revision B

# User Operation Guide

## PACKAGE CONTENTS

		
<b>Item 1</b> Ceiling plate - 1 pc	<b>Item 2</b> Top Pole - 1 pc	<b>Item 3</b> Hooks - 2 pcs
		
<b>Item 4</b> Lower Pole Assm - 1 set	<b>Item 5</b> Angle bars - 2 pcs	<b>Item 6</b> Right side plate - 1 pc
		
<b>Item 7</b> Left side plate - 1 pc	<b>Item 8</b> Cross pole Assembly - 1 set	
		
<b>Item 9</b> Linkage bar - 2 pcs	<b>Item 10</b> Screw bag - 1 pc	
		
<b>Item 11</b> Expansion bolts - 6 pcs		

INSTALLATION



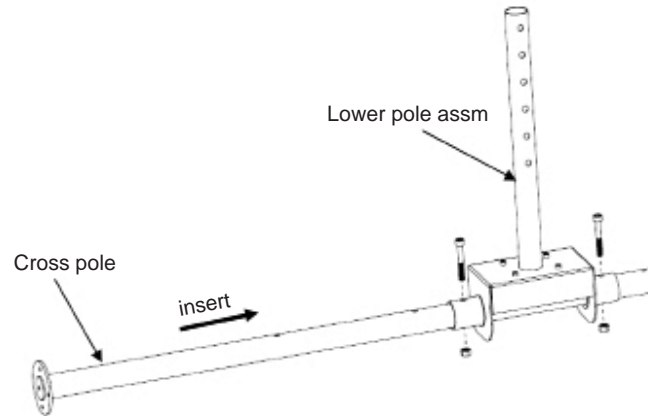
Exploded view

\*Specifications are subject to changes without notice.

# User Operation Guide

## INSTALLATION GUIDE

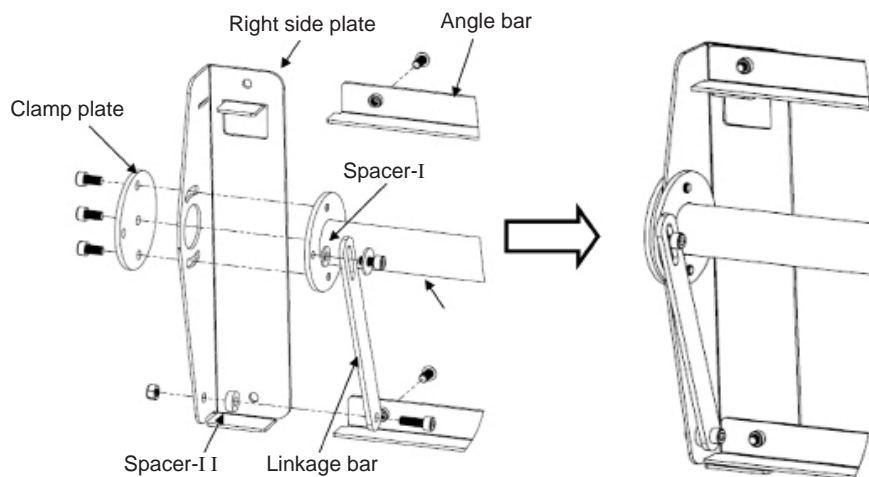
**Step - 1** - insert Cross pole (item-7) into Lower pole assembly (item-4). Secure with 2x M10x60 socket cap screw and hexagon nuts ("M" in item-10).



**Step - 2a** - fix Linkage bar (item-9) as shown with Spacer-I and Spacer-II ("G" in item-10). Secure with M8x15/washer ("I" in item-10) and M8x25/nut ("J" in item-10) socket cap screws.

**Step - 2b** - fix Right side plate (item-6) at end of Cross pole (item-8) with Clamp plate and secure with 3x M8X15 socket cap screws.

**Step - 2c** - fix 2x Angle bars (item-5) at top and bottom of Right side plate. Secure with M8x15 socket cap screws ("H" in item-10).

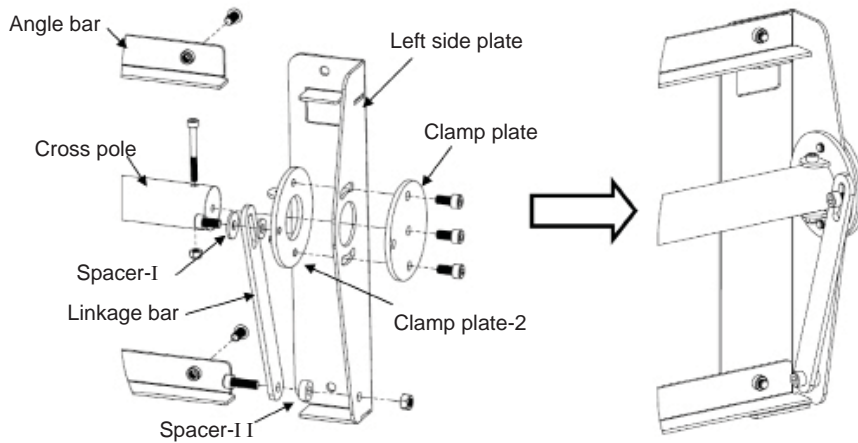


**Step - 3a** - insert Clamp plate-2 (in item-8) into other end of Cross pole. Secure with M6x55 socket cap screws and hexagon nut ("L" in item-10).

**Step - 3b** - fix Left side plate (item-7) at end of Cross pole (in item-8). Align and match with Angle bars. Secure with 2x M8X15 socket cap screws ("L" in item-10).

**Step - 3c** - fix Clamp plate and secure with 3x M8x15 socket cap screws.

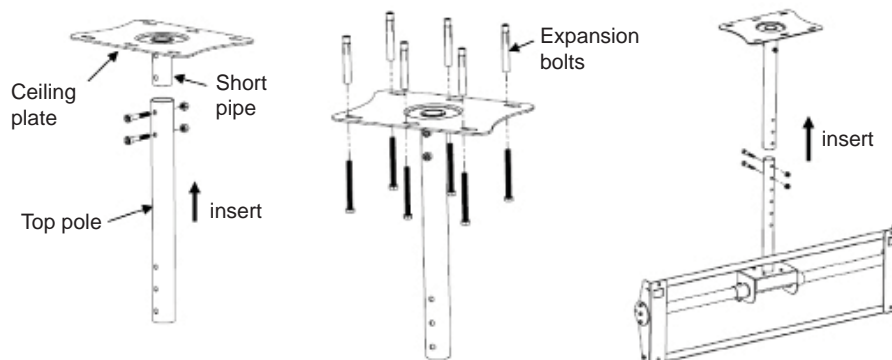
**Step - 3d** - fix Linkage bar (item-9) as shown with Spacer-I and Spacer-II ("G" in item-10). Secure with M8x15/washer ("I" in item-10) and M8x25/nut ("J" in item-10) socket cap screws.



**Step - 4a** - insert Top pole (item-2) into short pipe of Ceiling plate (item-1) and secure with 2x M10x60 socket cap screws and hexagon nuts ("M" in item-10).

**Step - 4b** - locate and fix Ceiling plate with Top pole with 6x M10 Expansion bolts (item-11).

**Step - 4c** - lift and insert the pole of the assembled Lower pole assm (in Step-2 and Step-3). Secure with 2x M10x60 socket cap screws and hexagon nuts ("M" in item-10).



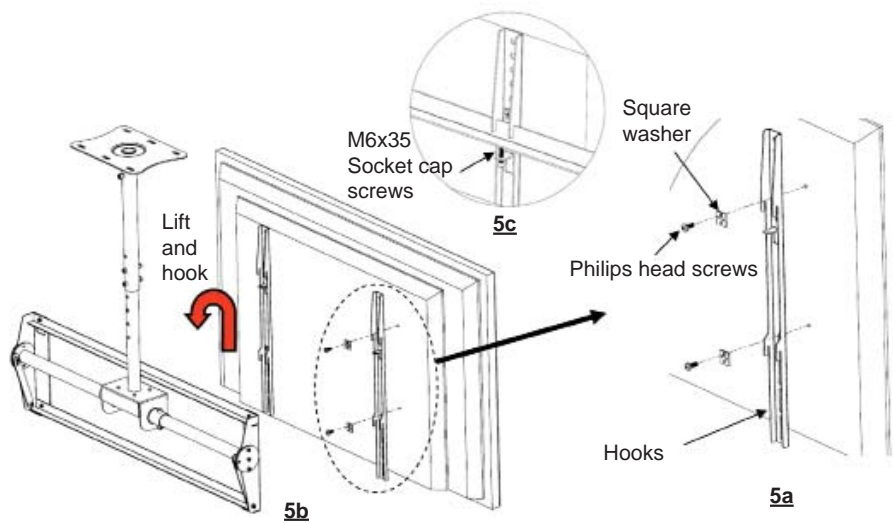
# User Operation Guide

**Step - 5a** - fix Hooks (item-3) on back of Plasma with Philips head screws "A","B", "C", "D","E" OR "F" in item-10 and Square washer ("N" in item-10).

**Note:** Refer to Plasma user manual for the right size of screws.

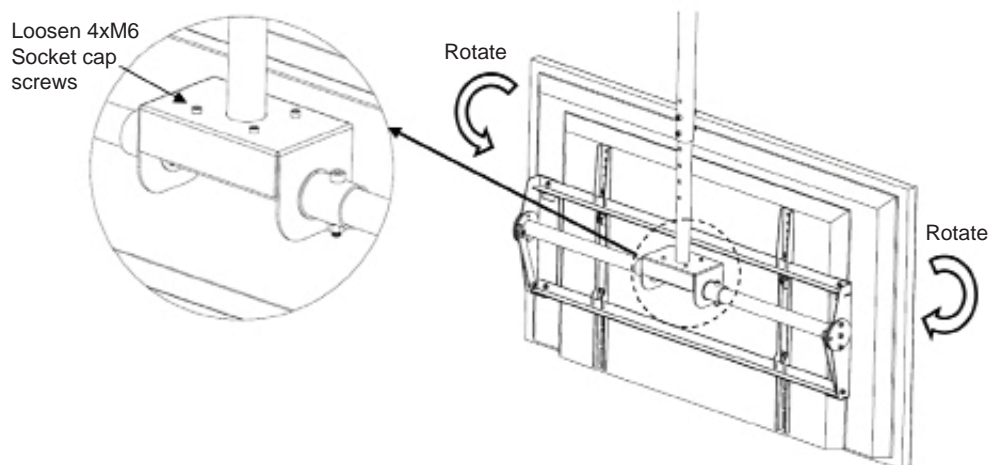
**Step - 5b** - lift and hook the Plasma with Hooks onto the Angle bars of the assembled ceiling mount bracket in Step-4.

**Step - 5c** - lock and secure with M6x35 ("K" in item-10) socket cap screw on Hooks and Angle bar.

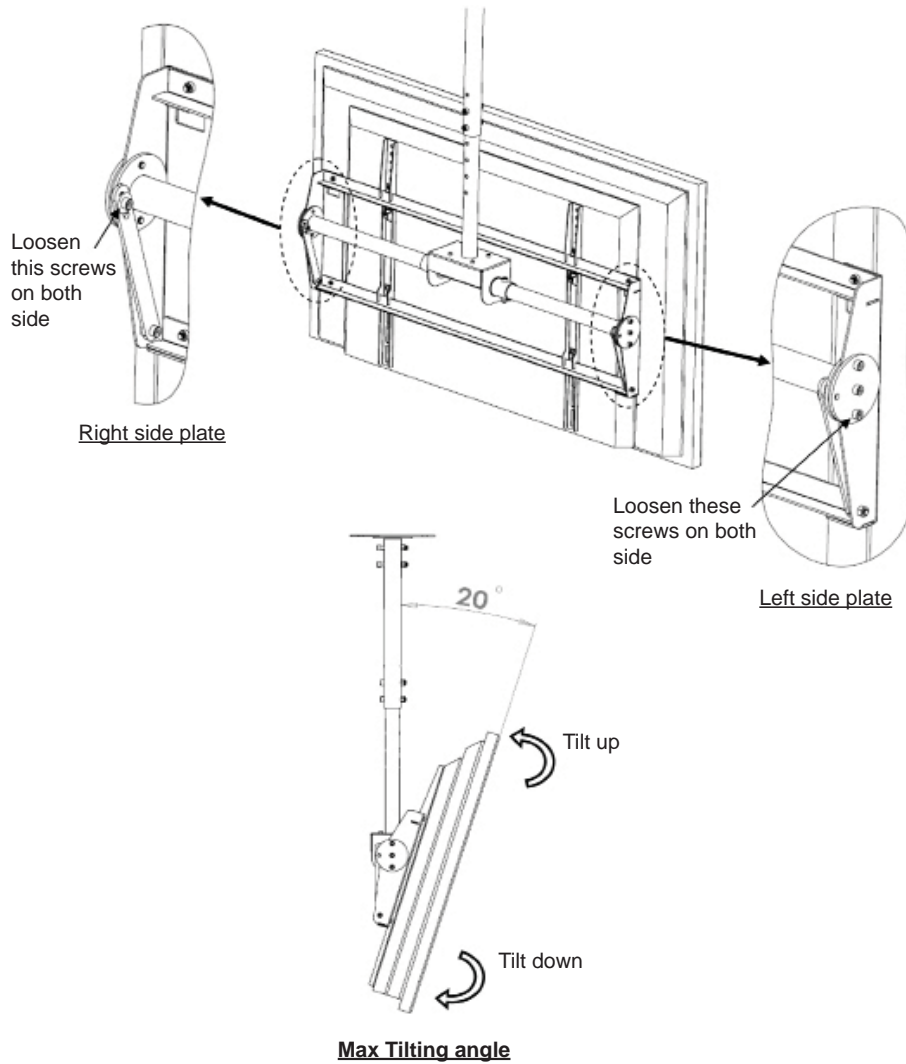


## ADJUSTMENTS

**To Rotate** - loosen the socket cap screws (4x) at the top of Lower pole assm. Grab and hold on both sides of Plasma and rotate clockwise or anti-clockwise to the desired viewing angle.



**To Tilt**-loosen the socket cap screws (6x) at both sides of the Left / Right side plate and also the screws at the top of the Linkage bars. Grab and hold on the top and bottom edge of the Plasma, tilt up or down to the desired viewing angle. **Ensure tighten all the screws after tilting.**



**Note:** Do consult a qualified and authorized service technicians if you encounter any technical difficulties. We are not liable for any damage or injury arising from any improper installation or mishandling.

## SPECIFICATION

**Plasma Size** : Suitable for 50" to 65"

**Tilt Angle** : +20 degree / -5 degree

**Load Capacity** : 100kg (220 lbs)

\*\* For details and updated Command and Program Software, please visit and download from [www.abtussingapore.com](http://www.abtussingapore.com)

*\*Specifications are subject to changes without notice.*

