

Universal Plasma Display Mobile Stand



Model: **AV383**

User Operation Guide

IMPORTANT NOTES




- Thank you for purchasing the Universal Plasma Display Mobile Stand. This bracket is compatible for most models of 42" and 50" wide plasma display.
- To ensure correct usage, please read this instruction manual thoroughly. Keep this manual for future reference.
- BRACKETS SHOULD BE MOUNTED ONLY BY A QUALIFIED INSTALLER.
- User will be responsible for any injuries and damages that may arise from improper installation and handling of Universal Ceiling Mounting Kit.
- Ensure all mounting screws are appropriately positioned and properly tightened/ fastened.
- Installers are to ensure customer's safety during installation.
- We reserve the right to amend or undertake any necessary changes without prior notice.

WARNING

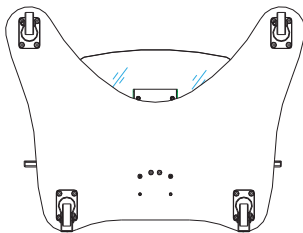
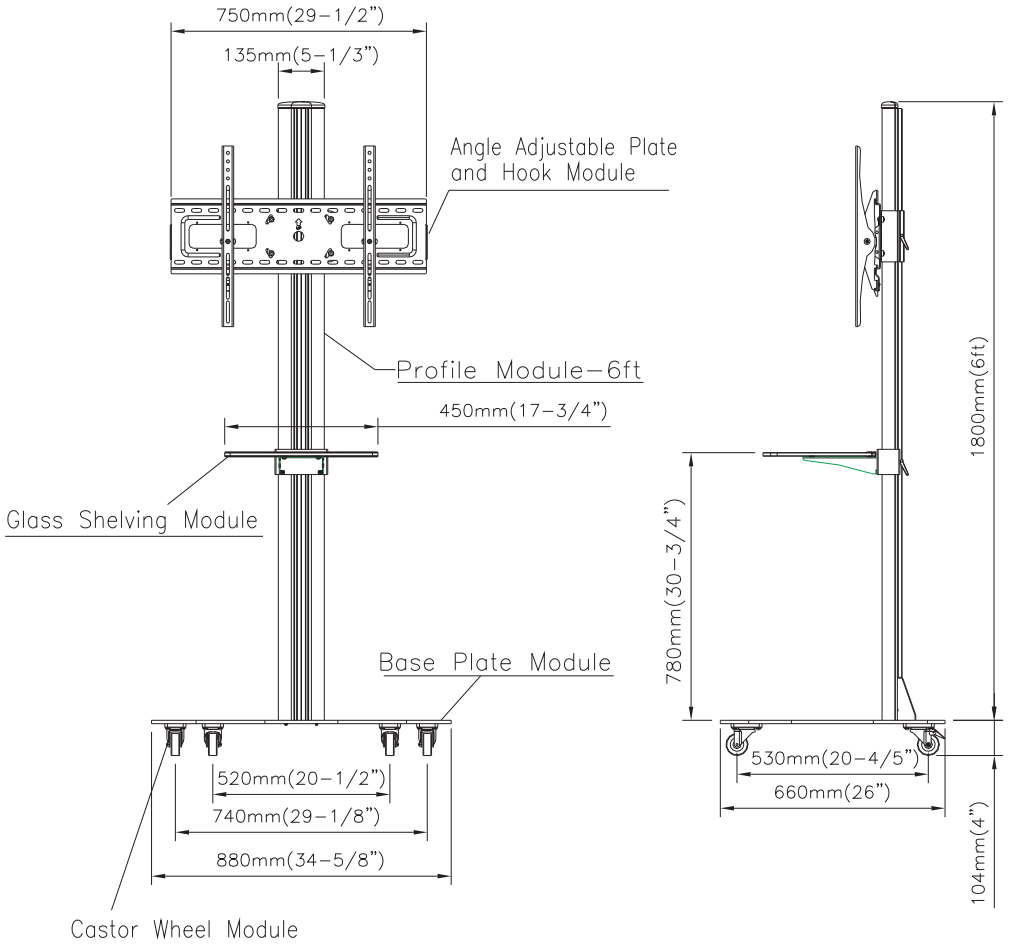
This symbol indicates the incorrect handling. Ignoring this symbol can result in the possibility of personal injury or even death.

CAUTION

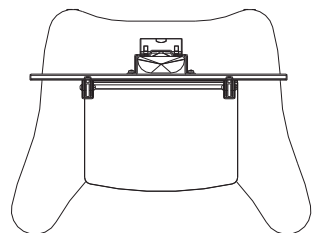
This symbol indicates the incorrect handling. Ignoring this symbol can result in the possibility of personal injury and physical damage.

 Caution (general)	This symbol indicates additional cautions (including warnings).
 Forbidden (general)	This symbol indicates forbidden actions.
 Required (general)	This symbol indicates required actions.

PARTS SPECIFICATIONS



Bottom View



Top View

PACKAGE CONTENTS

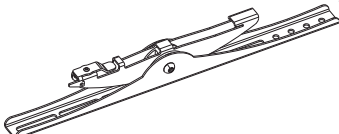
1. Angle Adjustable Plate and Hock Module



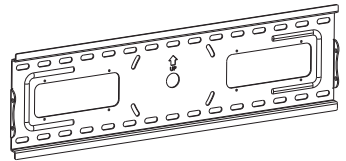
Part 1
Base Plate and Wheel Assembly..... 1 pc



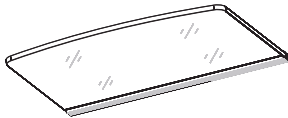
Part 2
Fixing Pole..... 1 pc



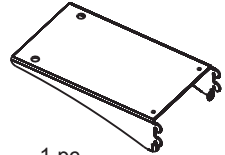
Part 3
Hook..... 1 pc



Part 4
Wall Plate..... 1 pc



Part 5
Glass Plate Assembly..... 1 pc



Part 6
Shelving Bracket..... 1 pc



Part 7
Plasma Profile Assembly 1 set



Part 8
Button Head Cap Screw
M8x 12 2 pcs

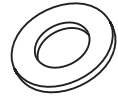


Part 9
Socket Head Cap Screw M8x25 2 pcs
Spring Washer M8 2 pcs
Washer Φ 8 2 pcs

PACKAGE CONTENTS



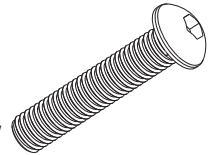
Part 10
Rubber Support 2 pcs



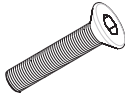
Part 11
Washer $\Phi 8$ 3 pcs



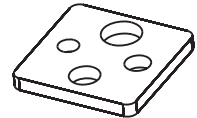
Part 12
Truss head Screw 4 pcs



Part 13
Button Head Cap Screw
M8 x 40 1 pc



Part 14
Countersunk Cap Screw
M6 x 30 2 pcs



Part 15
Square Washer 6 pcs



Part 16
Allen Wrench
 $\Phi 4$ 1 pc
 $\Phi 5$ 1 pc



Part 17
Spacer 6 pcs



Part 18
Truss head Screw
M4x15/M4x20/M4x30..... 6 pcs each
M5x15/M5x20/M5x30..... 6 pcs each
M6x15/M6x20/M6x30..... 6 pcs each
M8x35/M8x45..... 6 pcs each

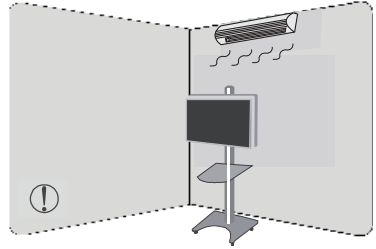


Part 19
Spacer 2 6 pcs

WARNING

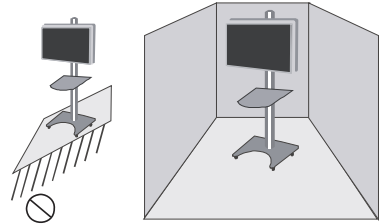
Do not install near an air-conditioner

Do not place at a place where there are excessive dust and smoke as fire could arise from there

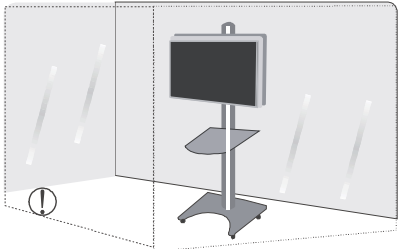


Do not place on sloping surface. Strictly install on a horizontal surface only.

Lock the brake of the wheels after position is decided.



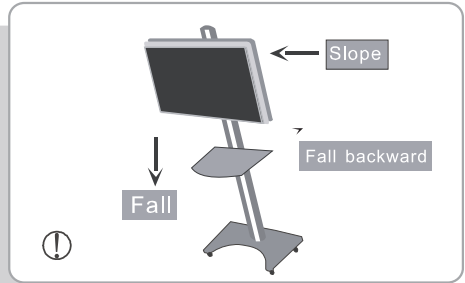
Keep the room well ventilated to prevent room temperature from rising and possibilities of fire occurring



WARNING

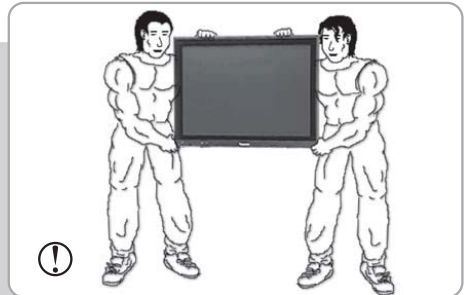
Do not push the top of the mobile stand.

It is strongly recommended that when moving the plasma stand from one place to another place, plasma screen is to be removed first.

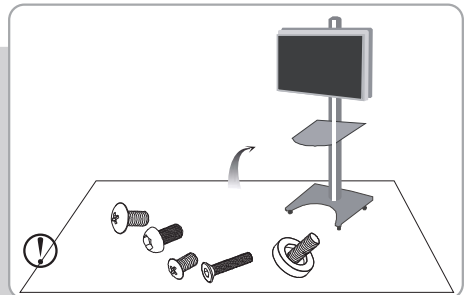


It is strongly recommended that two persons carry out the installation

When carrying out maintenance, disconnect the power supply to avoid electrical shock.

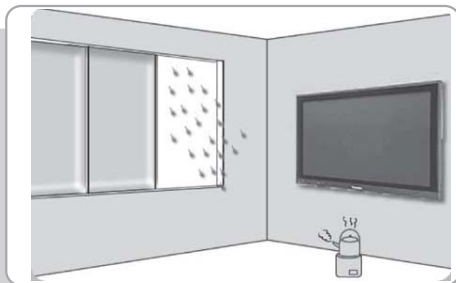


Do not remove bolts and screws from the Mobile stand or do any changes to the Mobile stand.

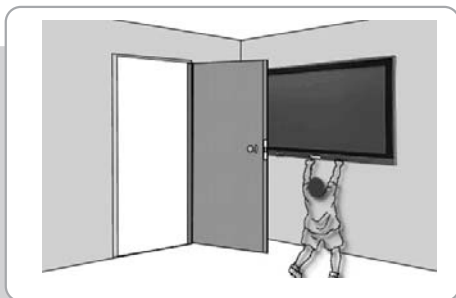


Do not install in location where room Temperature and humidity are excessively high.

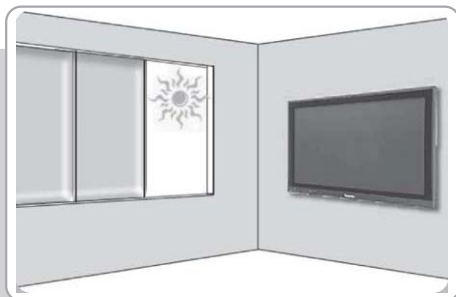
To prevent fire, avoid contact with water.

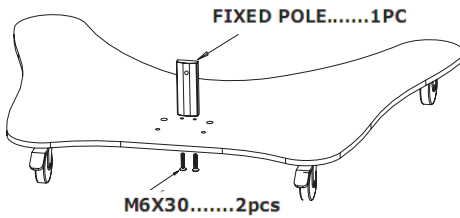
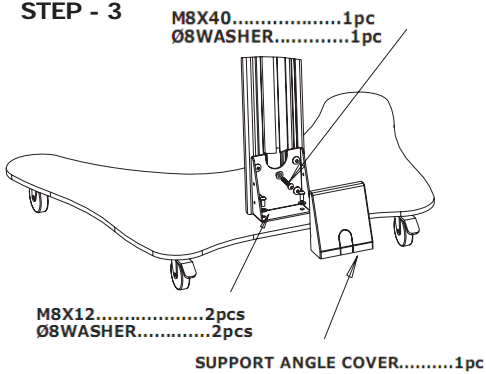
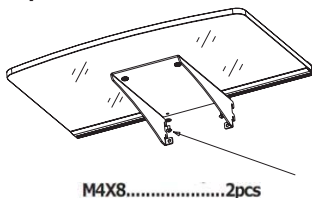
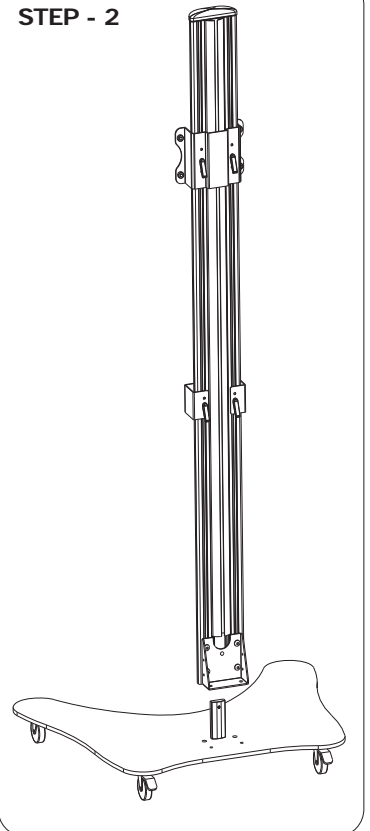


Do not apply unnecessary stress or load on the installed unit.



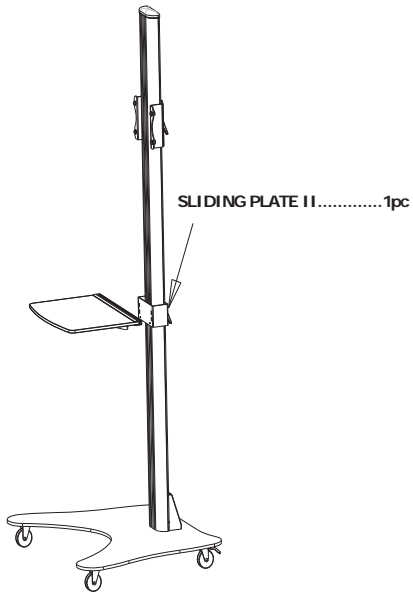
Do not place the stand where there is direct sunlight or strong light to prevent eye fatigue when using the unit.



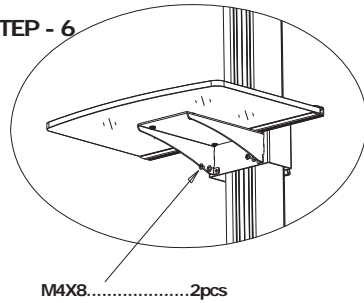
INSTALLATION GUIDE**1. Assembling the Mobile Stand****STEP - 1****STEP - 3****STEP - 4****STEP - 2**

INSTALLATION GUIDE

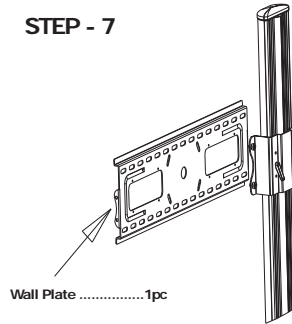
STEP - 5



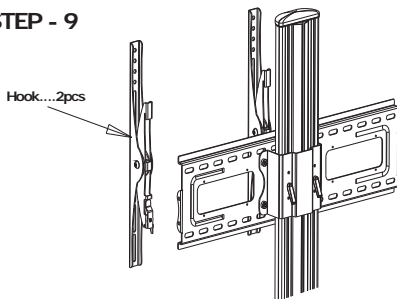
STEP - 6



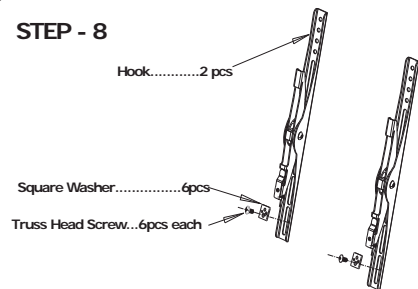
STEP - 7



STEP - 9



STEP - 8



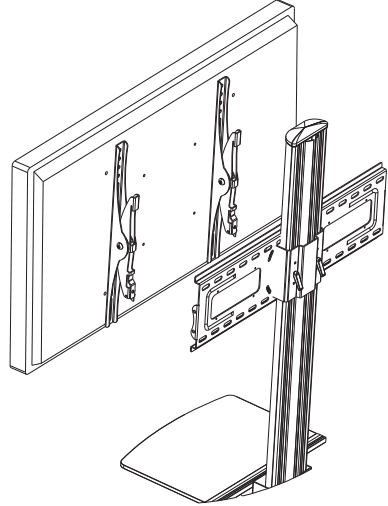
INSTALLATION GUIDE

2. Placing and Fixing the Plasma Unit

Lift the display unit to the Cross Bar of the wallplate, and then lower the unit into place until the Hooks are fully seated in the groove of the "U" plate assembly

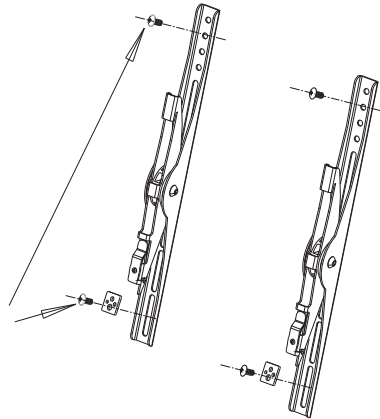
To prevent power cord and signal cables from entangling when placing the unit, use cable ties to secure them behind the unit.

Check the viewing angle.



Please refer to the documentation that comes with the plasma unit, to ensure that the correct size of the screw is used.

Ensure correct size of Screw



NOTE: Do consult a qualified and authorized service technician if you encounter any technical difficulties. We are not liable for any damage or injuries arising from any improper installation or mishandling.

Now, enjoy your Plasma display unit !!

** For details and updated Command and Program Software, please visit and download from www.abtussingapore.com

**Specifications are subject to changes without notice.*

