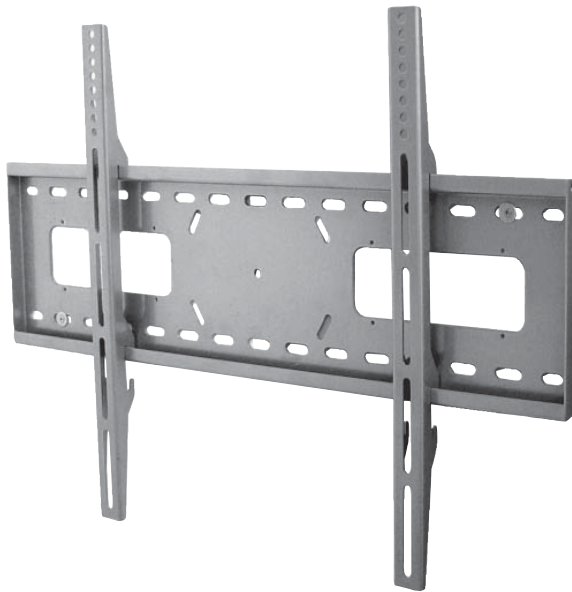


Plasma/ LCD Display Fixed Mount



Model: **AV415-W**

Revision 0




User Operation Guide

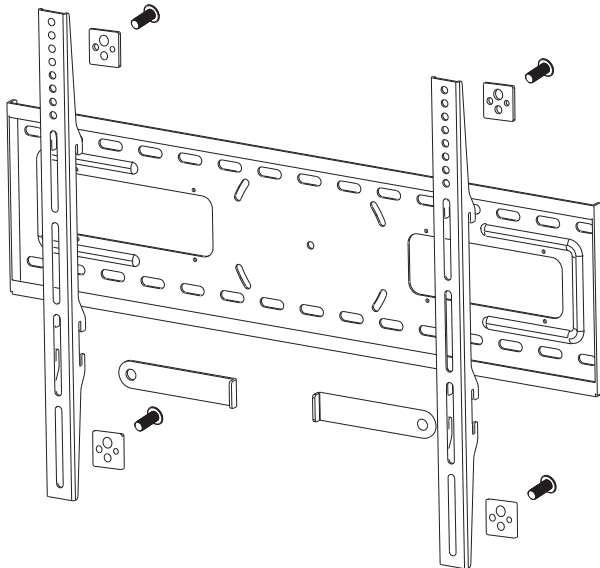
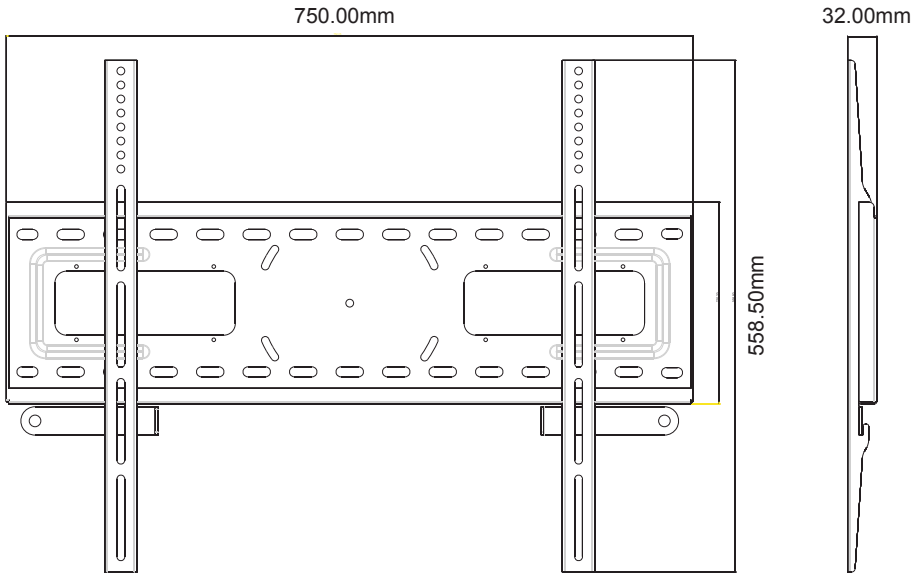
IMPORTANT NOTES

- Thank you for your purchasing the Plasma Fixed Wall Mount. This bracket is feasible for most models of 37" to 50" wide plasma display units.
- To ensure correct usage, please read this manual thoroughly. keep this manual for future reference.
- Mount should be mounted only by a qualified installer.
- You will note a disolotation of the wall around the Plasma Fixed Wall Mount (when you remove the plasma display unit) due to heat and enviromental oxidation from prologed usage.
- User will be responsible for any injuries and damanges that may arise from improper installation and mishandling of PLASMA FIXED WALL MOUNT.
- Ensure all mounting screws are appropriately positioned and properly tightened/fasted.
- Installers are to ensure customer's safety when during installation.
- We reserve the right to amend or undertake any necessary changes without prior notice.

CAUTION

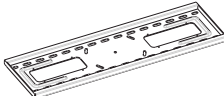
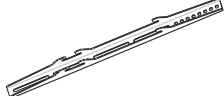
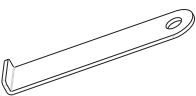
This symbol indicates the incorrect handling. Ignoring this symbol can result in the possibility of personal injury and physical damage.

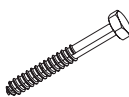
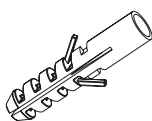
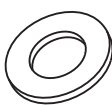
 Caution (general)	This symbol indicates additional cautions (including warnings).
 Forbidden (general)	This symbol indicates forbidden actions.
 Required (general)	This symbol indicates required actions.


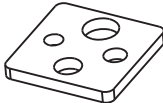

PARTS SPECIFICATIONS


User Operation Guide

PACKAGE CONTENTS

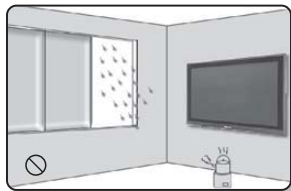
		
Part 1 Mounting plate - 1 pc	Part 2 Plasma Hook - 2 pcs	Part 3 Lock Plate - 2 pcs

		
Part 4 5/16" Lag bolt 2½ long - 4 pcs	Part 5 5/16" Wall Anchors - 4 pcs	Part 6 Lag bolt washer $\Phi 10$ - 4 pcs

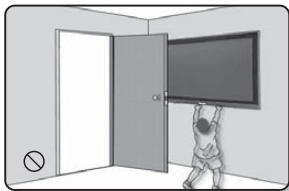
		
Part 7 - Truss Head Screw M4x15/M4x20/M4x30 - 4 pcs M5x15/M5x20/M5x30 - 4 pcs M6x15/M6x20/M6x30 - 4 pcs M8x35/M8x45 - 4 pcs	Part 8 Square Washer - 4 pcs	Part 9 Spacer I - 4 pcs


Part 10 Spacer 2 - 4 pcs

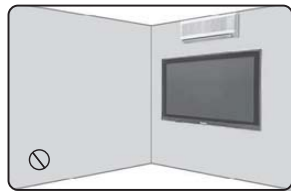
WARNING



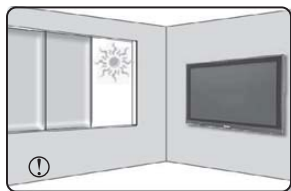
- Do not install in location where room temperature and humidity are excessively high
- To prevent fire, avoid contact with water.



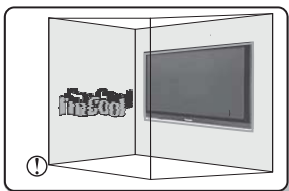
- Do not apply unnecessary or load on the installed unit.



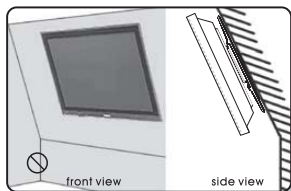
- Do not install near an air - conditioner.
- Do not install at a place where there are excessive dust and smoke as fire could arise from these sources.



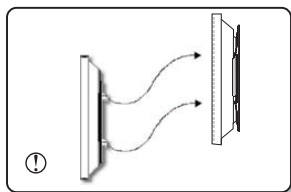
- Do not install where there is direct sunlight or strong light to prevent eye fatigue when using the unit.



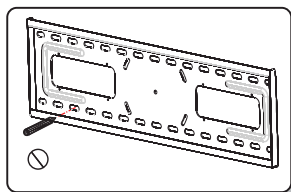
- Keep the room well ventilated to prevent room temperature rising and possibilities resulting in fire



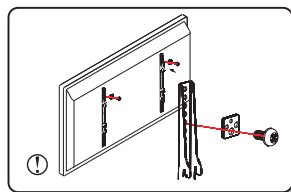
- Do not install on slopping surface. Strictly install on a vertical surface only.



- All wall mounting brackets are to be firmly secured to prevent unit from dropping off its installed position.



- Do not remove any bolts and screws from the Wall Mounting Brackets or do any changes to the Wall Mounting Brackets.



- Steps should be taken ensure the wall and installed unit can withstand external force like earthquakes, vibrations, etc.

User Operation Guide

INSTALLATION GUIDE

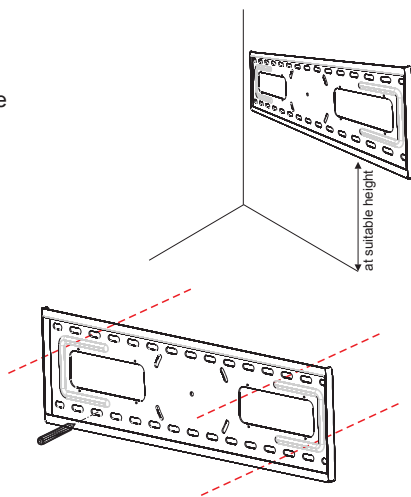
1. Mounting the bracket

1.1 Mounting on Concrete Wall

- Position the assembled wall mount bracket at a suitable location and height. Ensure the wall surface is flat and able to take the weight of the plasma display unit and bracket.

⚠ Check the level of the bracket by using a leveling gauge.

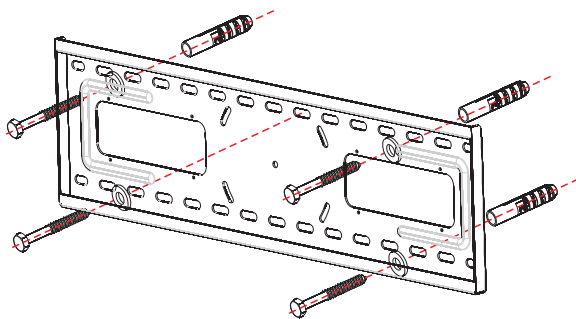
⚠ Once you have decided the position, mark the position of the holes (x4) for the mounting of bracket.



1.2

- Drill the holes and mount the bracket with Expansion Bolts *(4x) (not included).

* Recommended size:
5/16" Lag bolt 2½" long or
5/16" Wall Anchors or
Φ 10 Lag bolt washer



INSTALLATION GUIDE

1.3 Mounting on Concrete Wall

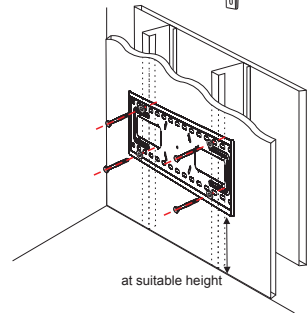
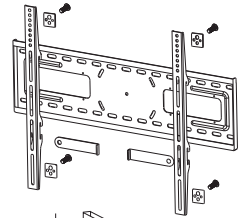
- Fix the Wall Bracket Adapter (x4) onto the assembled Plasma Fixed Wall Mount.
- Tighten them with M4x15/M4x20/M4x30 Truss Head Screw (x4) and Washer (x4).
- Position the assembled Plasma Fixed Wall Mount at the suitable location and height.

⚠ Check the level of the bracket by using a leveling gauge.

⚠ Once you have decided the position, mark the position of the holes (x4) for the mounting of bracket.

- Drill the holes (x4) with 16", 20" or 24" centers apart depends on the studs distance (if applicable)
- Mount the assembled bracket on the wall.

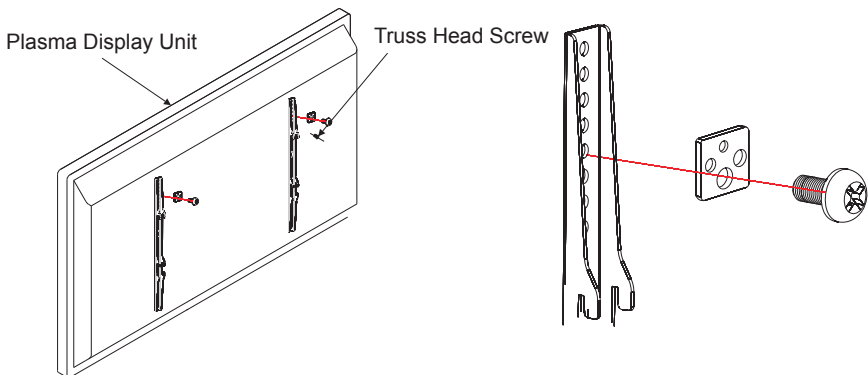
P/S: Please contact your Sales Representative for details on Optional Item.



2. Placing and Fixing the Plasma Unit

2.1

- Fix the Plasma Hook at the back of the display unit with as shown.
- Tighten them with the truss Head Screw



⚠ Please refer to the documentation that comes with the plasma display unit, to ensure that the correct size of screw is used.

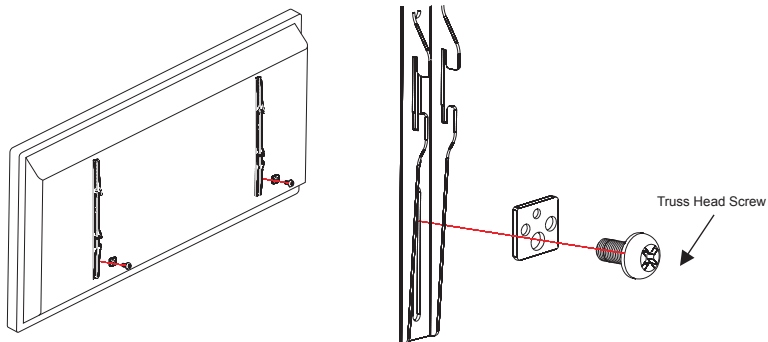
User Operation Guide

2.2

- Using the Block A (Part 5) provided in the package to fasten the Plasma Hook onto the Bottom Mounting Holes of the display unit.

Six (6) blocks to be used on each Plasma Hook, if necessary

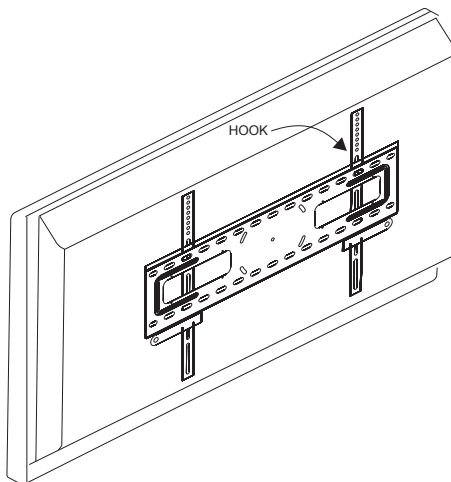
- Position and place the block along the groove on the Plasma Hook and tighten with the Truss Head Screw provided.



2.3

- Lift the display unit to the Wall Mounting Bracket, and the lower then the unit into place.

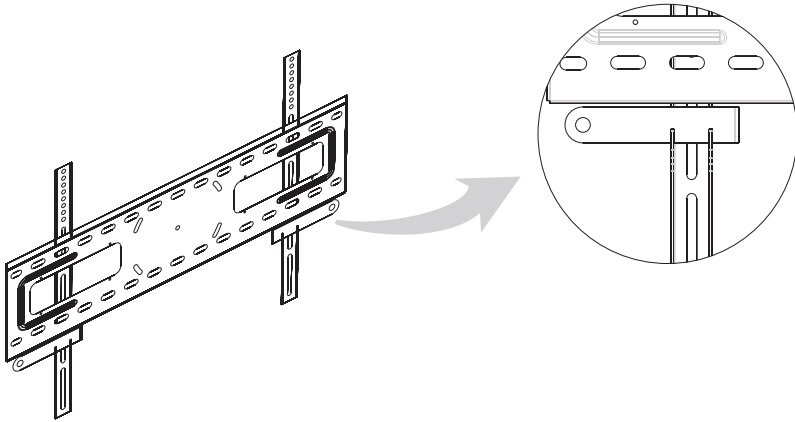
- To prevent cables from entangling when fixing the unit onto the Wall Mounting Bracket, use cable ties to secure the power card and signal cables behind the unit.



3. Securing The Unit

3.1

- Finally, secure the unit with a pad-lock (not included).



Note: Do consult a qualified and authorized service technicians if you encounter any technical difficulties. We are not liable for any damage or injury arising from any improper installation or mishandling.

Enjoy your plasma display unit!

SPECIFICATION

Plasma Size : Suitable for 37" to 50"

Wall Plate Dimension: : 750mm (29.5") x 220mm (8.7")

Length of Hook : 558.8mm (22")

Distance from Wall : 32mm (1.25)

Load Capacity : 68kg (150 lbs)

** For details and updated Command and Program Software, please visit and download from www.abtussingapore.com

**Specifications are subject to changes without notice.*

