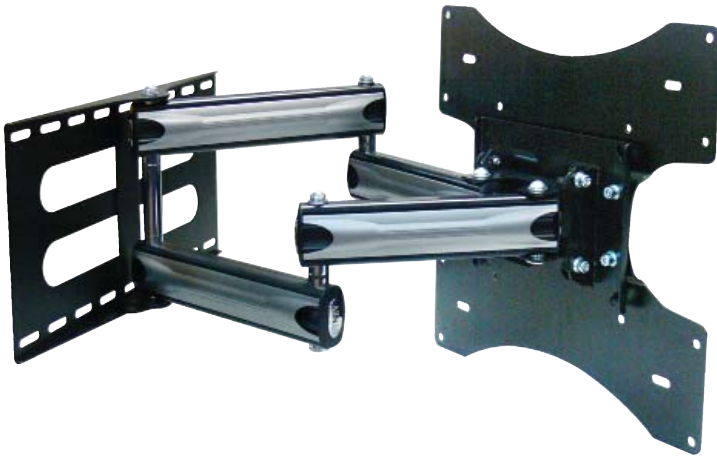


Plasma/ LCD Display Double Arm Ceiling Mount

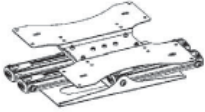



Model: **AV508-DV**

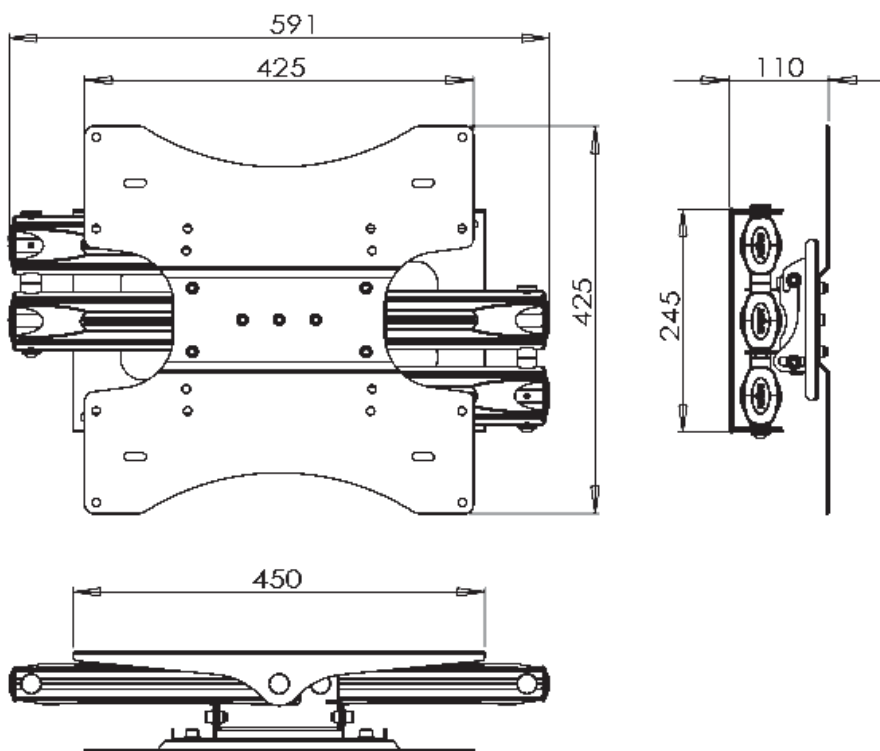
Revision 0

User Operation Guide

PACKAGE CONTENTS

	
Item 1 Wall Arm - 1 set	Item 2 Screw bag - 1 set

DIMENSIONS



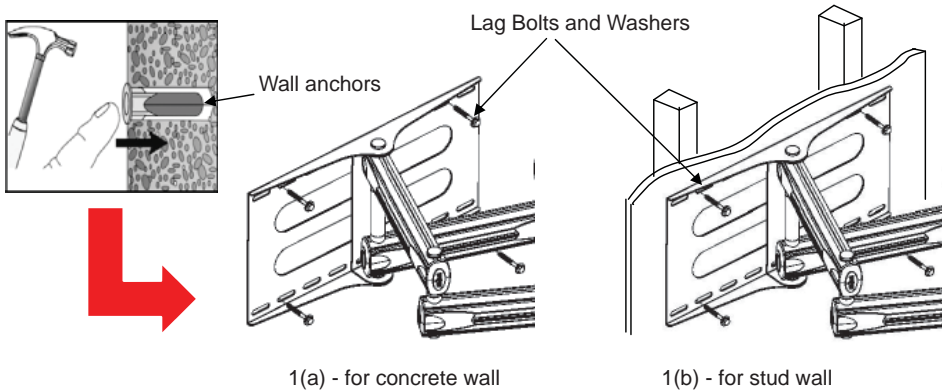
INSTALLATION

Step - 1 - Marks position of the Wall Plate mounting holes.

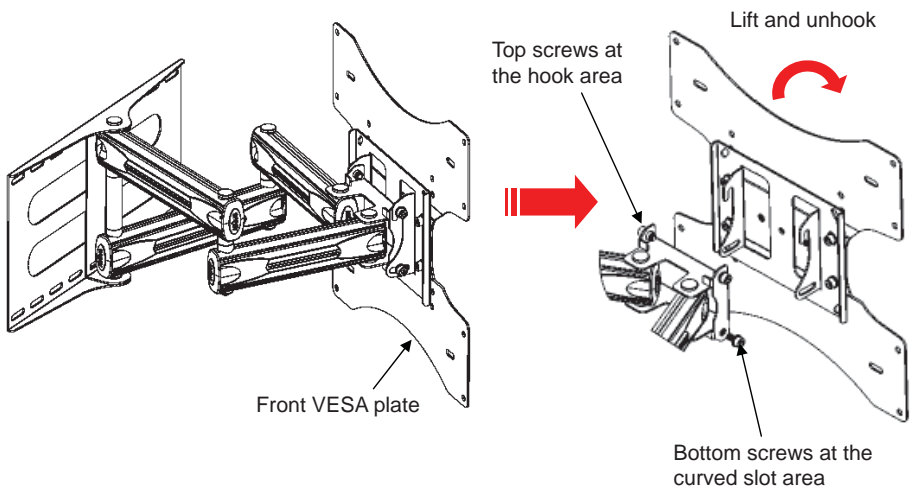
1(a) - For concrete wall, drill and insert Wall Anchors (in Item 5) into concrete wall. Secure Wall plate with Lag bolts and Washers provided on the wall.

1(b) - For wood stud, drill and secure Wall plate with Lag bolts and Washers provided on wooden wall.

Note: do not use Wall Anchor for mounting on wooden wall.



Step - 2 - Loosen (do not remove) the top screws(2x) at hook area. Remove the bottom screws at the curved slot hole area. Lift and unhook the Front VESA plate out of the wall arm.

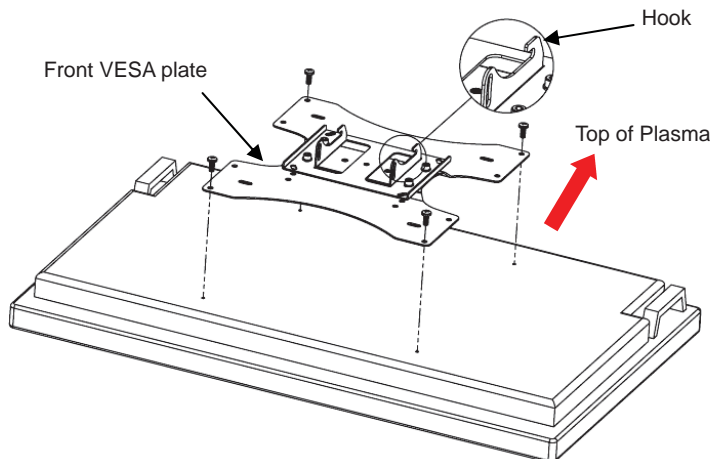


User Operation Guide

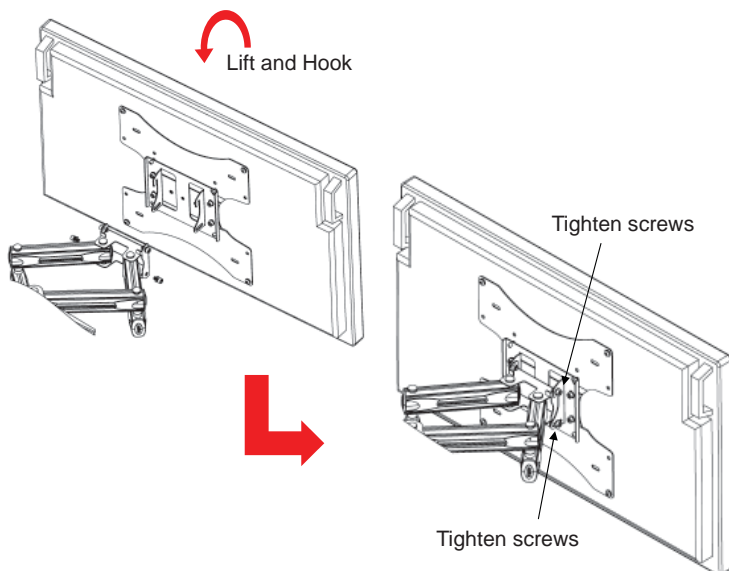
INSTALLATION GUIDE

Step - 3 -Fix the Front VESA plate onto back of Plasma with the hook facing the top of Plasma.

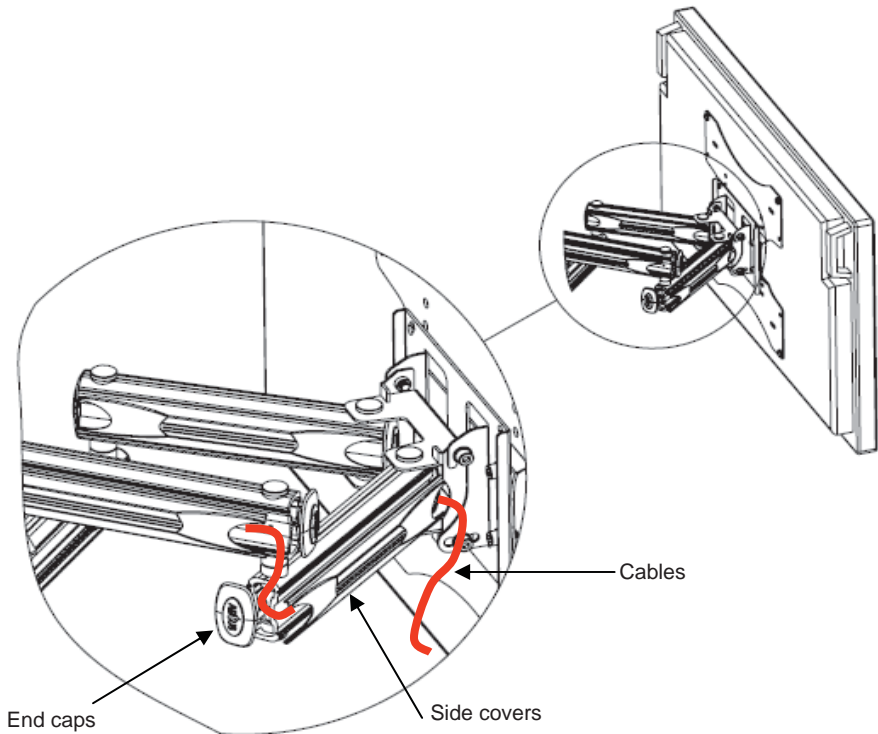
Note: depending of VESA standard of the Plasma mounting holes come with, select the correct VESA mounting holes (400x400, 400x200, 300x300, 200x200) on the Front VESA plate to fix it onto the Plasma.



Step - 4 - Lift and Hook the Plasma with Front VESA plate done in Step-3 onto the Wall arm mounted on the wall done in Step-1. Tighten the top screws at hook area and bottom screws at curved slot hole area.



Step - 5 - For Cable management, remove the End caps and slide the Side covers out of the arms. Run cables in the space of the front and rear arms. When done, Side covers can be slide back or clip from the front until hear a “click” sound. Cover back the End caps.

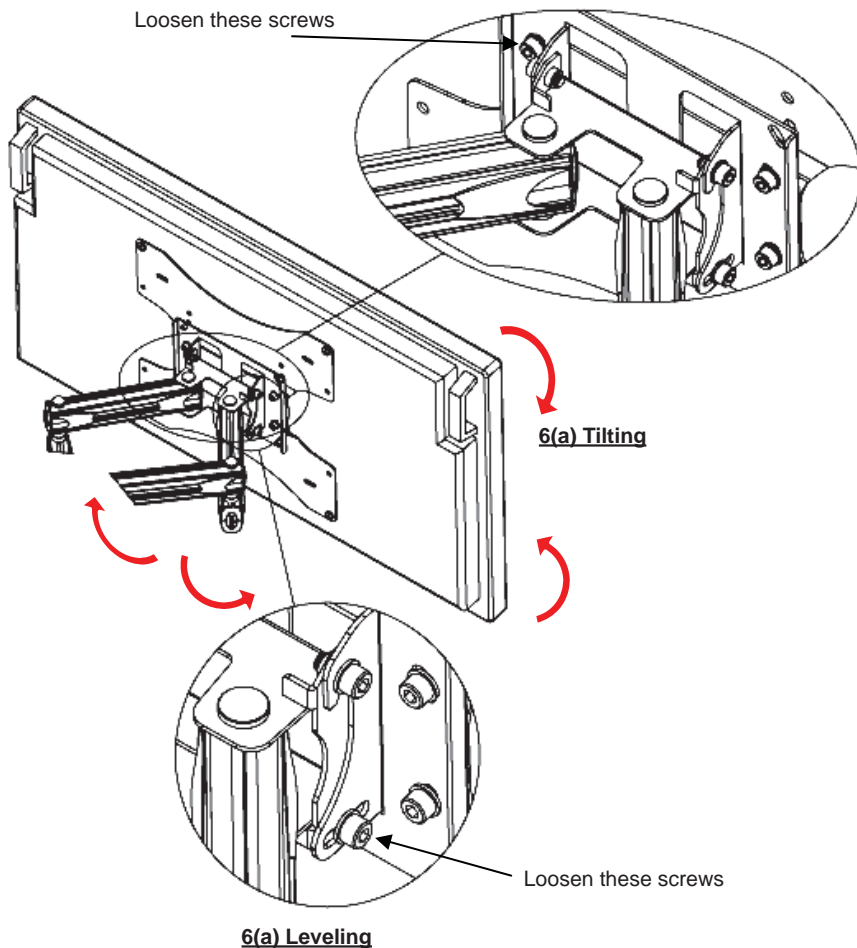


User Operation Guide

Step - 6 - For Adjustment:

6(a) Tilting—loosen the bottom screws at curved slot hole area, grasp the upper and lower edges of the Plasma, pull or push the Plasma to tilt it to a desired viewing angle. Tighten all screws.

6(b) Leveling— loosen screws as shown. Grasp the left and right edges of the Plasma, roll up or down to level the Plasma.



Note: Do consult a qualified and authorized service technicians if you encounter any technical difficulties. We are not liable for any damage or injury arising from any improper installation or mishandling.

Now, enjoy your Plasma TV unit !!

SPECIFICATION

Plasma Size	:	Suitable for 37" to 50"
Gross Dimension	:	591mm (23.2") x 425mm (9.8") x 110mm (4.3")
Arm Swivel	:	+/- 20 degrees
Tilt Angle	:	+8 / -6 degrees
Distance from wall	:	110mm (4.3")
Gross Weight	:	4kg (8.8 lbs)
Load Capacity	:	40kg (88 lbs)

** For details and updated Command and Program Software, please visit and download from www.abtussingapore.com

**Specifications are subject to changes without notice.*

