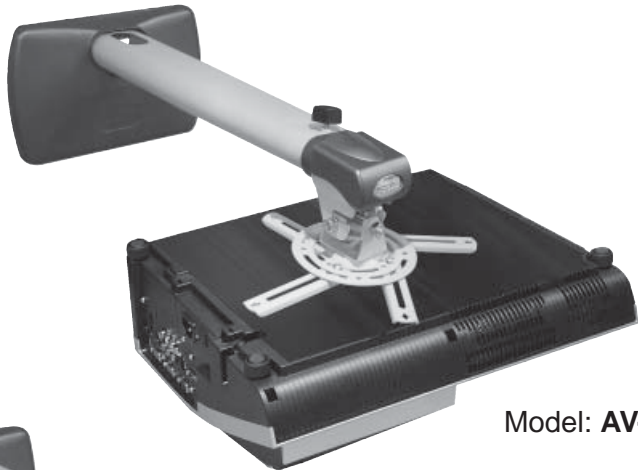


SHORT THROW PROJECTOR WALL MOUNT



Model: **AV-891-610**

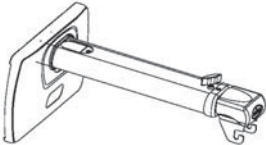
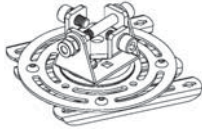


Model: **AV-891-1500**

Revision C2














User Operation Guide

PACKAGE CONTENTS

	
Item 1 Wall Arm - 1 set	Item 2 Universal Mount - 1 set







Item 3

Screws bag 1 - 1 set

				
Part A Phillips Head Screw M4x15 ----- 4 pcs	Part B Phillips Head Screw M4x20 ----- 4 pcs	Part C Phillips Head Screw M4x25 ----- 4 pcs	Part D Phillips Head Screw M4x15 ----- 4 pcs	Part E Phillips Head Screw M4x20 ----- 4 pcs
				
Part F Phillips Head Screw M4x25 ----- 4 pcs	Part G Phillips Head Screw M5x15 ----- 4 pcs	Part H Phillips Head Screw M5x20 ----- 4 pcs	Part I Phillips Head Screw M5x25 ----- 4 pcs	Part J Spacer 1mm --- 4 pcs
				
Part K Spacer 2mm --- 4 pcs	Part L Spacer 4mm --- 4 pcs	Part M Base Spaver ----- 4 pcs		




Item 4

Screws bag 2 - 1 set

					
Part 1 Wall Anchor --- 4 pcs	Part 2 lag Bolts --- 4 pcs	Part 3 Washers --- 4 pcs	Part 4 Extension Bars --- 4 pcs	Part 5 # 3 Allen Key --- 1 pc	Part 6 # 6 Allen Key --- 1 pc

Item 5 - for AV891-1500 ONLY

Screws bag 3 - 1 set

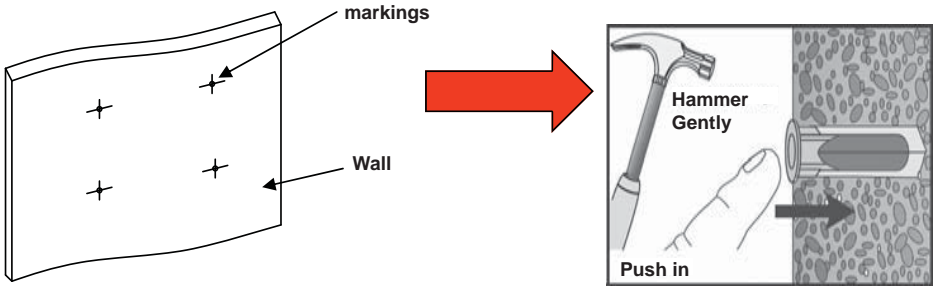
		
Part 1 M6 Eye-bolt - 1pc	Part 2 Wire Clip - 2pcs	Part 3 Steel Wire - 3 meter

INSTALLATION

Step - 1

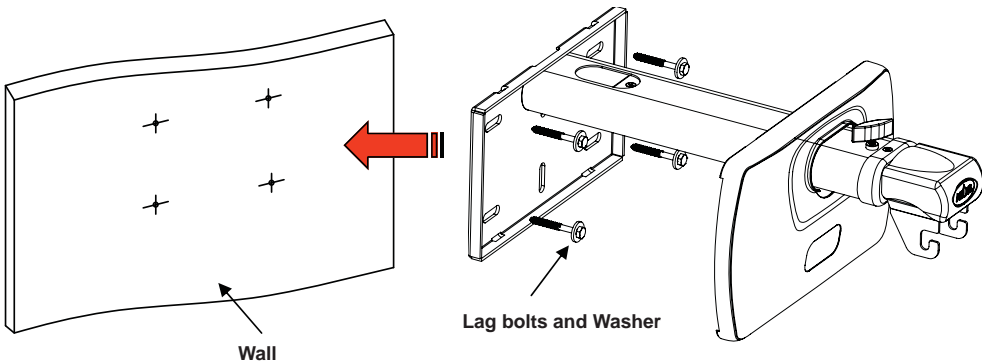
Mark the position on the wall for the Wall Plate. Drill and insert Wall Anchors (in Item 4) into concrete wall.
 Note: do not use Wall Anchor for mounting on wooden wall.

Note: Mounting position will be vary dependant on the Brand and Model of Projector used. Please refer to Projector User Manual for installation details.



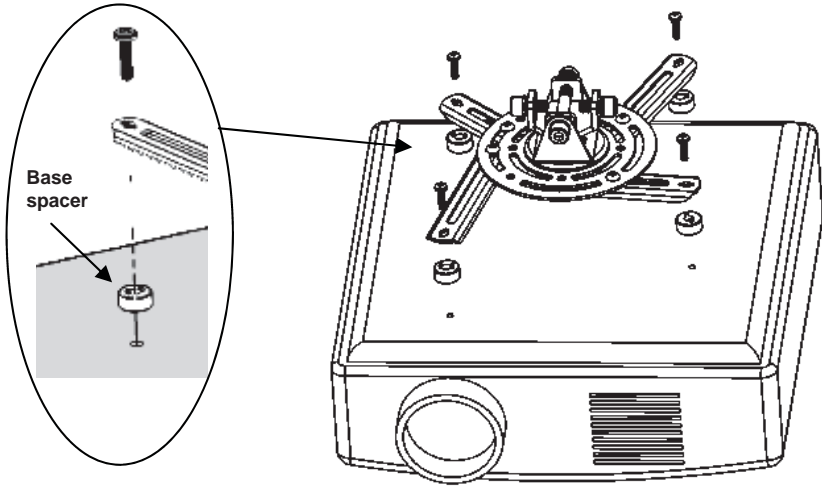
Step - 2

Mount Wall Arm (Item 1) onto wall by using the Lag Bolts and Washers (in Item 4) provided.



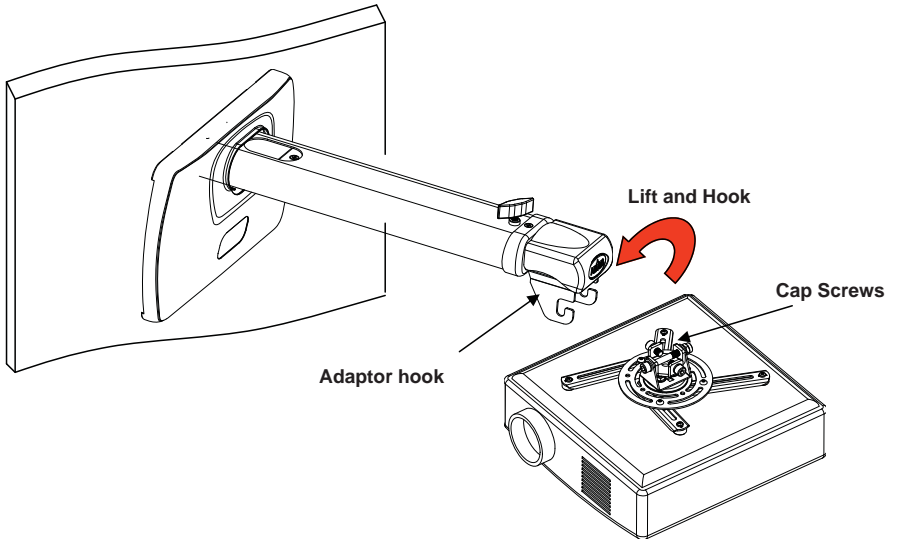
Step - 3

Fix Universal Mount (Item 2) with Base Spacer ("M" in Item 3) and Screws ("A" - "I" in Item 3) onto Projector.



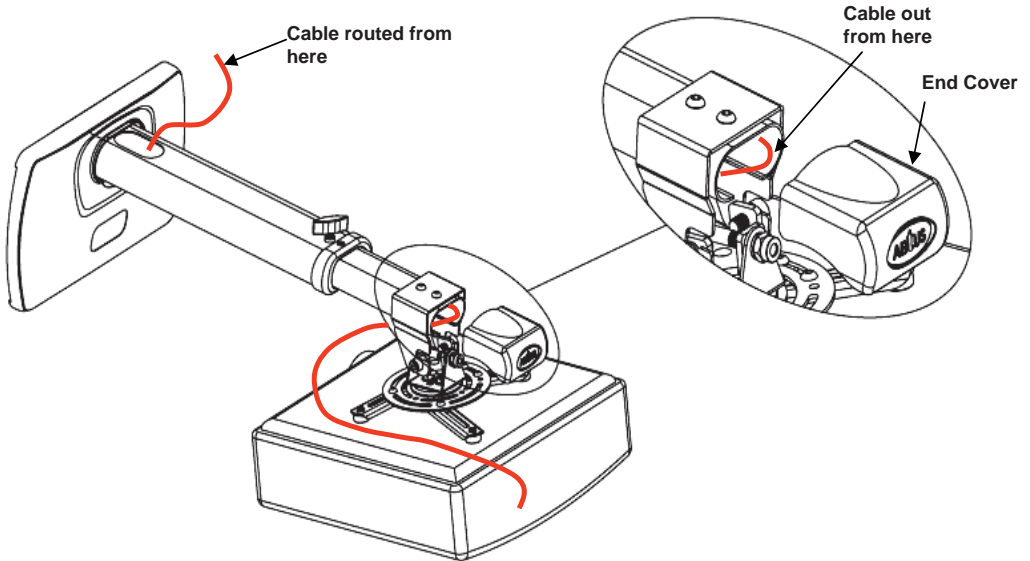
Step - 4

Lift and hook the assembled projector (in Step-3) onto the adaptor hook of the Wall Arm. Secure and tighten the Cap screws on both side of the hook.



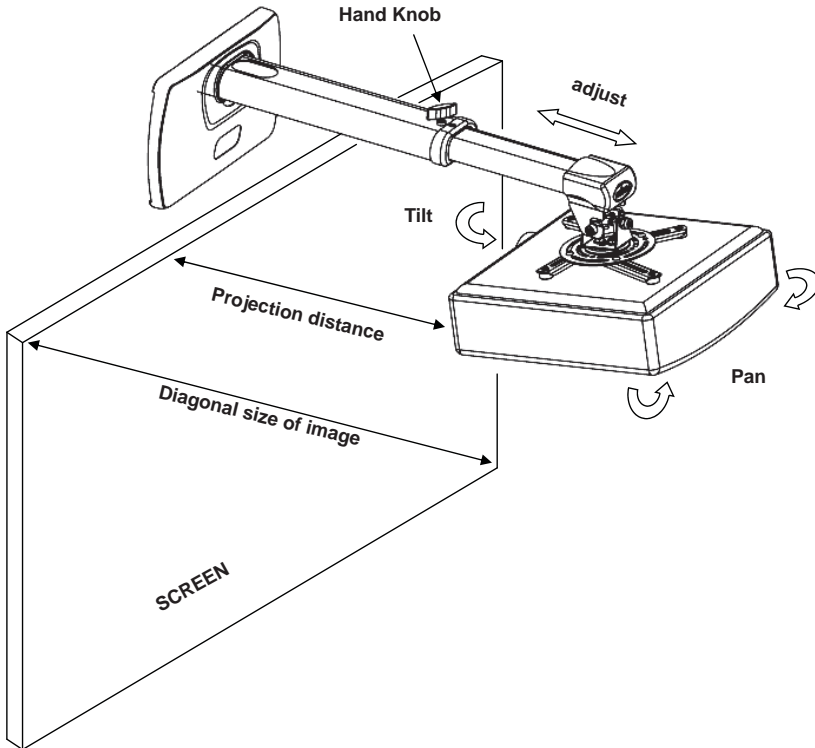
Step - 5

Cables management: cables can be routed from the opening on the top of the Wall Arm through the arm and out from the other end of the adjustable arm (remove the End cover for easy access).



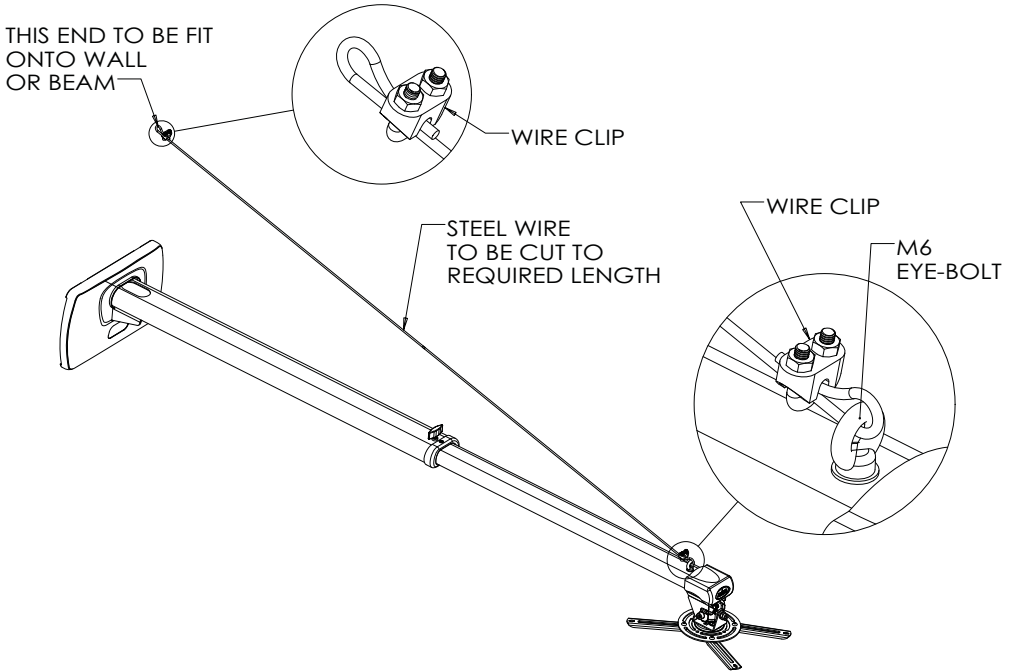
Step - 6 Adjustments:

- 6a. Projection distance —refer to Projector User Manual and dependant on the required diagonal size of image, adjust the distance from the “face of the Screen” to the “front of the projector” (nearest part to screen) by loosening the Hand Knob and extend along the Wall Mount Arm.
- 6b. Pan / Tilt / Rotate Projector to adjust the projection image onto the screen.



Note: Do consult a qualified and authorized service technicians if you encounter any technical difficulties. We are not liable for any damage or injury arising from any improper installation or mishandling.

SAFETY STEEL WIRE INSTALLATION GUIDE For AV891-1500 ONLY



1. For additional safety, steel wire must be installed when projector weight is more than 5kg or arm is extended 1.2m – 1.5m
2. Steel wire must be fixed on a strong concrete wall, wooden stud or beam. Do not fix steel wire on any unsafe objects.

Note: Do consult a qualified and authorized service technicians if you encounter any technical difficulties. We are not liable for any damage or injury arising from any improper installation or mishandling.

SPECIFICATION

	AV891-610	AV891-1500
Gross Weight	: 4.5kg (9.9 lbs)	6.8kg (15 lbs)
Gross Dimension	: 460 x 315 x 205 mm	920 x 315 x 205 mm
Distance From Projector Wall	: Min. 432mm Max. 613mm	Min.901mm Max.1515mm
Load Capacity	: 10kg (22 lbs)	10kg (22 lbs)

** For details and updated Command and Program Software, please visit and download from www.abtussingapore.com

**Specifications are subject to changes without notice.*

