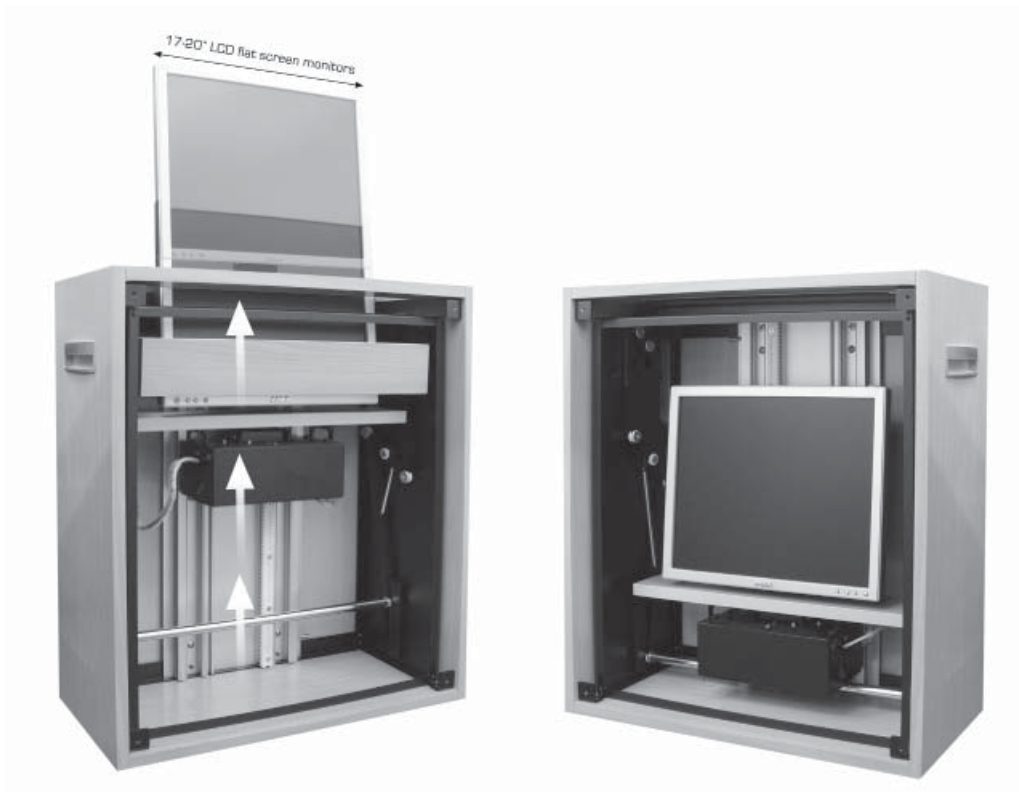


LCD Monitor Lift

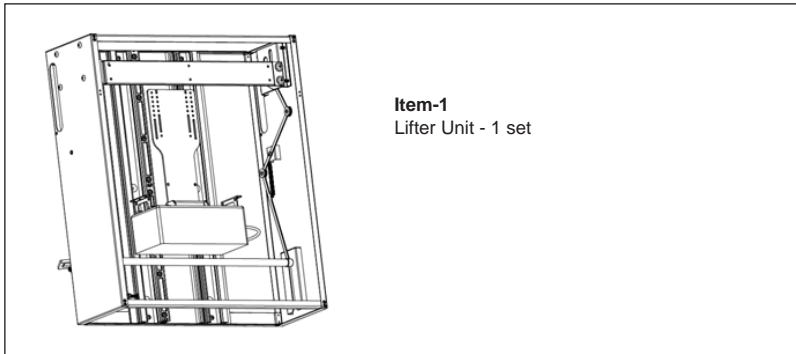


Model: **AV901**

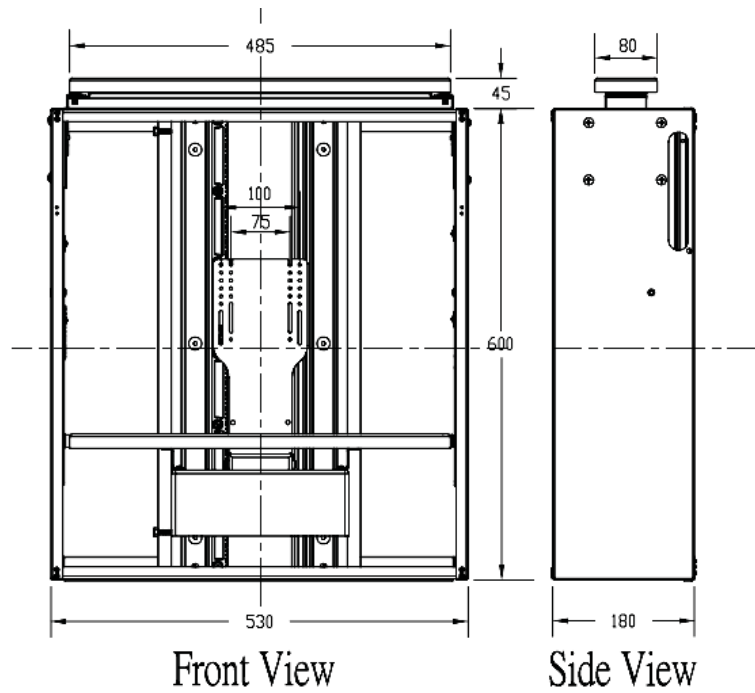
Revision 0

User Operation Guide

PACKAGING CONTENT

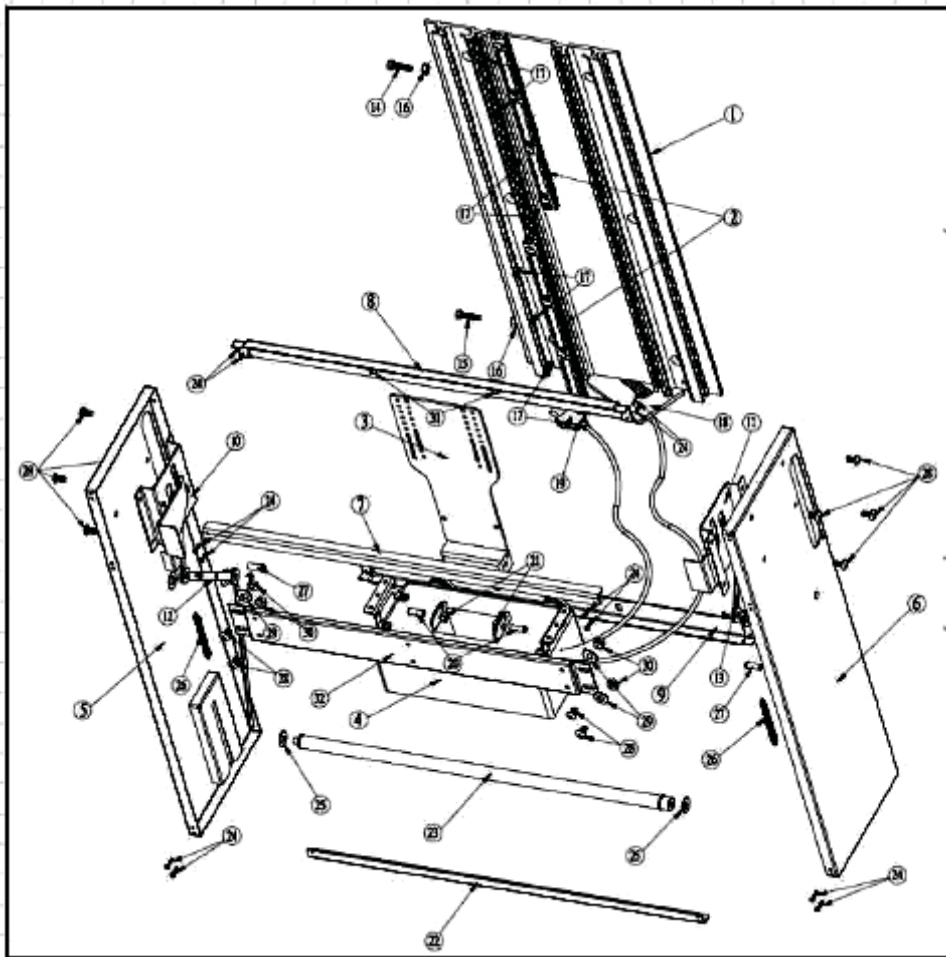


SPECIFICATIONS



<u>No.</u>	<u>Description</u>	<u>Qty</u>
1.	Back Plate (aluminum)	1
2.	Gear Rack (POM)	2
3.	Mounting Bracket (LCD)	1
4.	Power Box (control moving)	1
5.	Side Plate (left)	1
6.	Side Plate (right)	1
7.	Top Crossbeam (front)	1
8.	Top Crossbeam (back)	1
9.	Bottom Crossbeam (back)	1
10.	Control Link Plate (left)	1
11.	Control Link Plate (right)	1
12.	Link Assembly (left)	1
13.	Link Assembly (right)	1
14.	Top Limit Screw (control moving distance)	1
15.	Bottom Limit Screw (control moving distance)	1
16.	Nut (hold the limit screw)	2
17.	Flat Head Screw (control moving distance)	8
18.	Switch Control Panel	1
19.	Power Plug (220V)	1
20.	Monitor base Plate Bracket	2
21.	Nut (hold the hex socket cap screw)	2
22.	Bottom Crossbeam (front)	1
23.	Round Shaft (hold the left/right side link assembly)	1
24.	Machine Screw (hold the crossbeams)	16
25.	White Washer (hold the round Shaft)	2
26.	Spring (adjust the desk bracket position)	2
27.	Hex Socket Cap Screw (hold the side plate and link)	2
28.	Black Machine Screw (hold the side plate and desk bracket)	12
29.	White Washer (hold the back machine screw)	4
30.	Nut (hold the black machine screws)	4
31.	Thread Rolling Screw (hold the top crossbeam)	2
32.	Desk Bracket	1
33.	Switch Connector	1

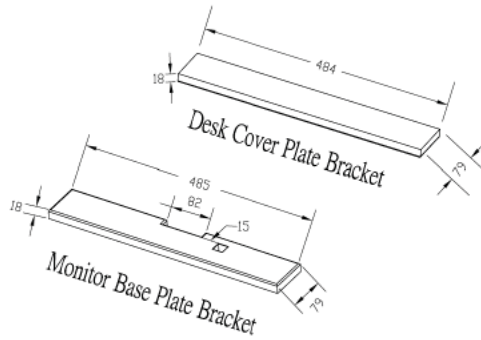
User Operation Guide



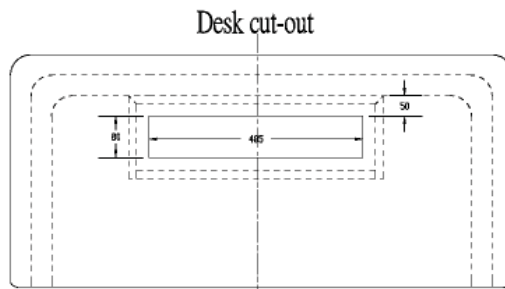
INSTALLATION

Step - 1 Prepare the below shown “Desk Cover Plate Bracket” and “Monitor Base Plate Bracket”. Color and texture to be matched with your desktop.

Suggest: make sure cable hole is big enough for cable connector. Alternatively cables can be run along the side of the monitor mount. In this case carve a channel for the cables on the underside of the plate.

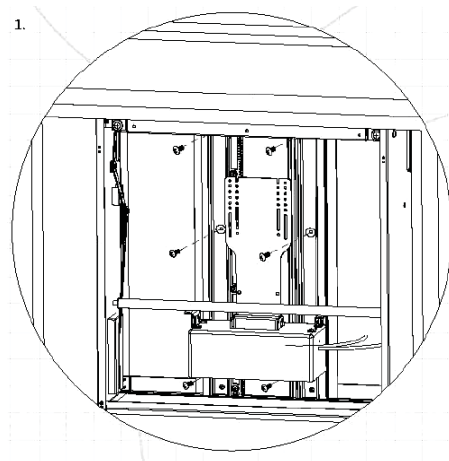


Step - 2 Locate a desired position, back of desk need to be strong enough to hold a lifter. Thickness of ply-wood at least 3/4 inch. Open a rectangular hole on the desktop according to dimensions shown on the right. see “Desk cut-out” diagram.



Step - 3 Mount Lifter securely to back of the desk. Leave about 3/4 inch (20mm) gap between top of Lifter and underside of desktop. Drive six proper mounting screws through the mounting plate (1) into desk.

(Please refer to the exploded diagram on page 3 for reference numbers.)

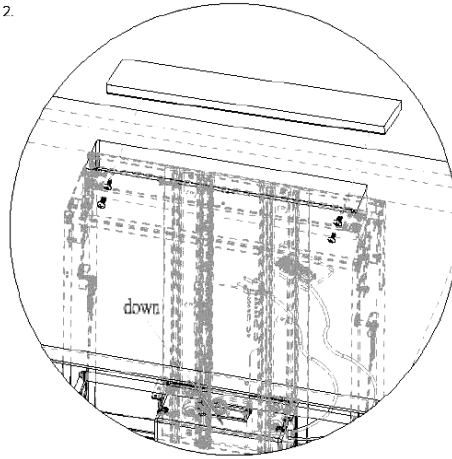


User Operation Guide

INSTALLATION

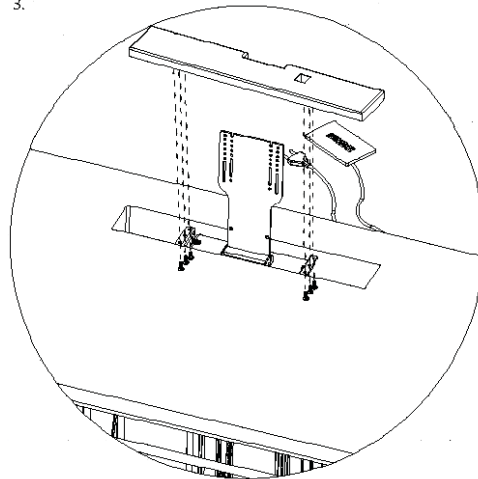
Step - 4 Connect the switch panel and plug in the power cord. Use switch pabel to lower the power box (4) to the bottom position. Adjust the bottom limit screw (15) so that the cover plate bracket (32) has raised into the desk cut-out. Place the Desk Cover plate on the Lifter bracket. The Desk Cover Plate should have 1-2mm clearance on all sides. Bracket (21) should be centered under cover plate. Drive four screws through the bracket into the desk cover plate.

2.



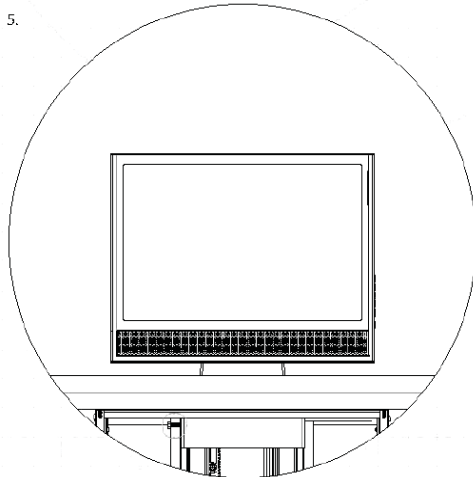
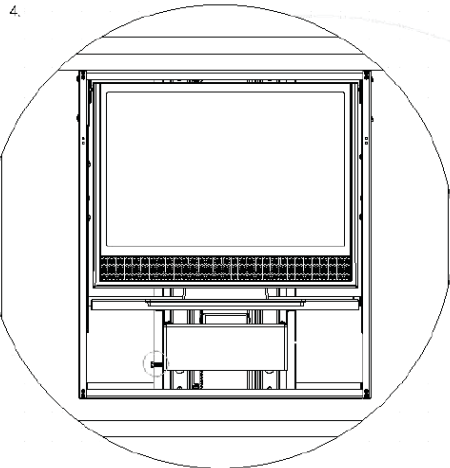
Step - 5 Make final adjustment to the bottom limit screw (15) so that the cover plate is perfectly flush with the desk surface when power box is all the way down.

3.



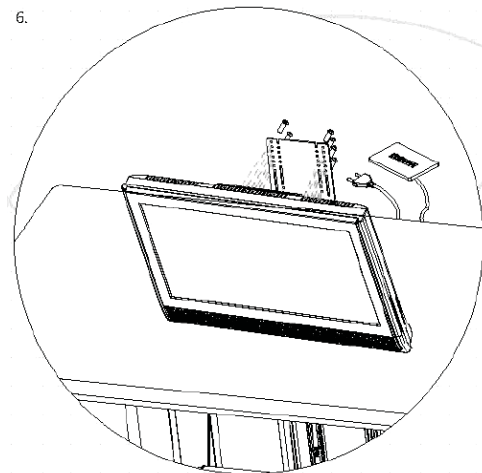
INSTALLATION

Step - 6 Raise the Lifter to the top position using Switch Panel. Use four screws to mount the Monitor Base Plate to power box (4).



Step - 7 Adjust the top limit screw (14) so the base plate is flush with the desk when power box is all the way up.

Step - 8 Mount LCD monitor to the bracket. Use zip ties to secure cables.



NOTE: Do consult a qualified and authorized service technician if you encounter any technical difficulties. We are not liable for any damage or injuries arising from any improper installation or mishandling.

**Specifications are subject to changes without notice.*

SPECIFICATIONS

Suitable For:	17-20" LCD flat screen monitors
Max. Monitor Size:	mm: 484(W) x 320(H) x 70(D) inches: 19" x 12"9/16 x 2"3/4
Monitor Mounting:	75 x 75mm and 100 x 100mm Custom mounting brackets available
Monitor Back Tilt:	0~+18
Lift Speed:	Open: 28 sec. Close: 28 sec. (max. travel)
Sound Level:	up : 42.2db avg., down 42.8db avg
Lift Capacity:	20Kg (45 lbs)
Voltage:	100-240V AC 50/60Hz
Power Consumption:	19 watts
Dimensions:	mm: 530(W) x 600(H) x 180(D) inches: 20"7/8 x 23"5/8 x 7"1/16
Weight:	11Kg (24 lbs)
Lift Travel:	500mm max. infinitely adjustable
Control:	5V DC analog. Four button control panel included
Color:	Black, other colors available upon request

** For details and updated Command and Program Software, please visit and download from www.abtussingapore.com

*Specifications are subject to changes without notice.

