

SPECIFICATION

Gross Weight : 12.2kg (26.9 lbs)

Gross Dimension : Package 1 (646 x 175 x 110 mm)
Package 2 (645 x 265 x 235 mm)

Extendable Length : 900 (Optional)

Load Capacity : 30kg (66.1 lbs)

Color Option : Black

** For details and updated Command and Program Software, please visit and download from www.abtussingapore.com

*Specifications are subject to changes without notice.

Projector Ceiling Mount Heavy Duty



Model: AV113

PACKAGE CONTENTS

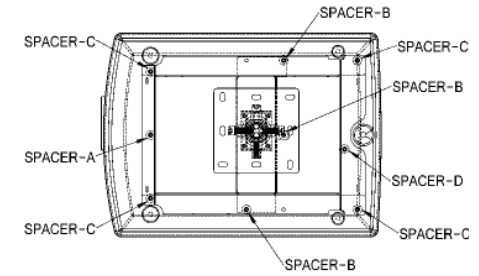
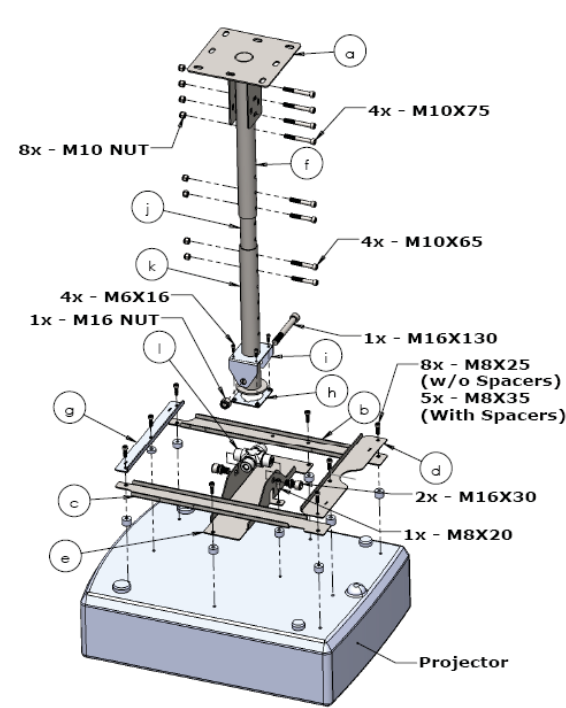
(a)	(b)	(c)	(d)
(e)	(f)	(g)	(h)
(i)	(j)	(k)	(l)



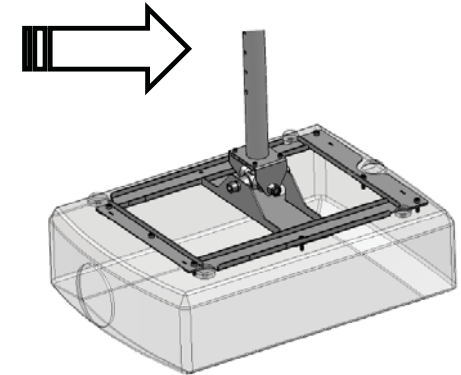
Spacers

A (7.7mm)	1 pc
B (14mm)	3 pcs
C (17.2mm)	4 pcs
D (19mm)	1 pc

FIXING ONTO AV815 PROJECTOR MOUNT



Spacers Layout For EIKI Projector LC-XT3/LC-XT4/LC-XT5



COMPLETED

NOTE: Do consult a qualified and authorized service technician if you encounter any technical difficulties. We are not liable for any damage or injuries arising from any improper installation or mishandling.