

SPECIFICATION

Plasma Size : Suitable for 37" to 60"
(note: for 50"-60", please ensure the mounting holes are within the stand hooking area)

Base Dimension (W x D x H) : 780 x 750 x 1755mm | 30.70" x 29.52" x 69.09"

Gross Weight : 22.5kg (49.5 lbs)

Load Capacity : 50kg (110 lbs)

** For details and updated Command and Program Software, please visit and download from www.abtussingapore.com

*Specifications are subject to changes without notice.

Plasma/ LCD Display Mobile Stand Economy Version



Model: AV382-V1

User Operation Guide

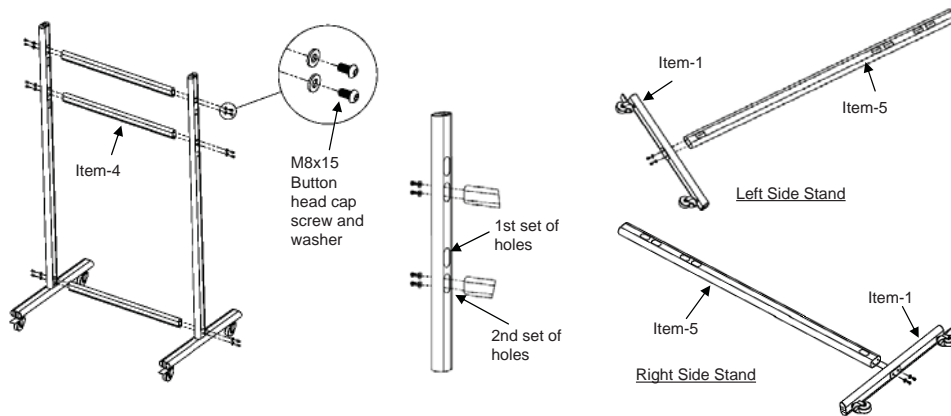
PACKAGING CONTENT

Item-1 Bottom Tube —1 sets	Item - 2 Hook right—1 pc	Item - 3 Hook Left—1 pc	Item - 4 Horizontal tube - 3pcs
Item-5 Vertical Tube —2 pcs	Item - 6 Screws bag 1 - 1 set		Item - 7 Screws bag 2 - 1 set

INSTALLATION

Step-1 — assemble the Left Side Stand and Right Side Stand as shown in the diagram on the right with M8x20 Button head Cap Screws and washers (in Item-7) provided.

Step-2 — join the Left Side Stand and Right Side Stand done in Step-1 as shown in the diagram below with 3x Horizontal Tubes (item-4) with M8x15 Button Head Cap Screws and washers (item-7)



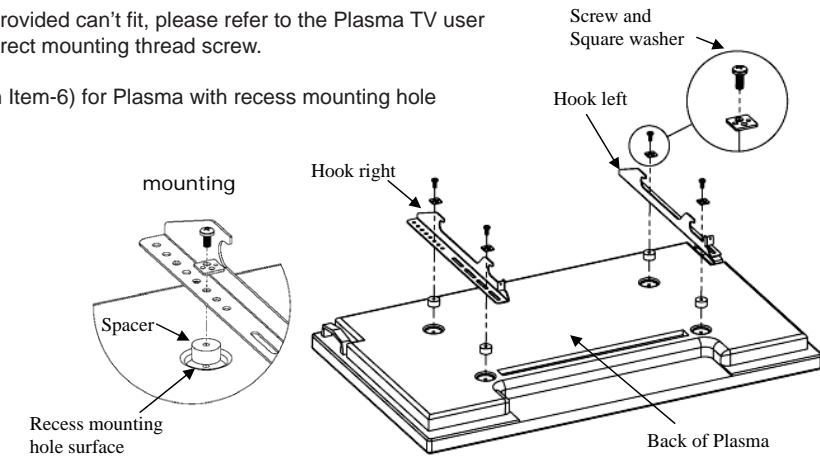
**** Note:**
 A. use 1st set of holes for 1.7m (approx) viewing height.
 B. use 2nd set of holes for 1.6m (approx) viewing height.

INSTALLATION

Step-3 — Fix Hook right (Item-2) and Hook left (Item-3) onto back of Plasma with screws and square washers (in Item-6) provided.

* Note: if screws provided can't fit, please refer to the Plasma TV user manual for the correct mounting thread screw.

** Use Spacers (in Item-6) for Plasma with recess mounting hole surface



Step-4 — lift and hook the Plasma with Hooks done in Step-3 onto the top Horizontal tubes of the stand.

Step-5 — position the Plasma at the center of the stand. Secure with M4x45 screws (in Item-7)

