

**SPECIFICATION**

<b>Plasma Size</b>	: Suitable for 37" to 50"
<b>Gross Dimension</b>	: 456mm (17.9") x 700mm (27.5") x 33.5mm (1.3")
<b>Distance from Wall</b>	: 33.5mm (1.25")
<b>Gross Weight</b>	: 6.1kg (13.4 lbs)
<b>Load Capacity</b>	: 50kg (110 lbs)

\*\* For details and updated Command and Program Software, please visit and download from [www.abtussingapore.com](http://www.abtussingapore.com)

\*Specifications are subject to changes without notice.

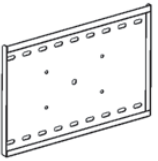


# Plasma/ LCD Display Potrait Wall Mount


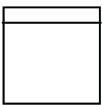


Model: **AV410-P**

# User Operation Guide

## PACKAGING CONTENT

		
<b>Item 1 - Wall Plate - 1 pc</b>	<b>Item 2 - Hooks - 2 pcs</b>	<b>Item 3 - Lock Plate - 2 pcs</b>

	
<b>Item 4 - Screw Bag 1 - 1 Set</b>	<b>Item 5 - Screw Bag 2 - 1 Set</b>

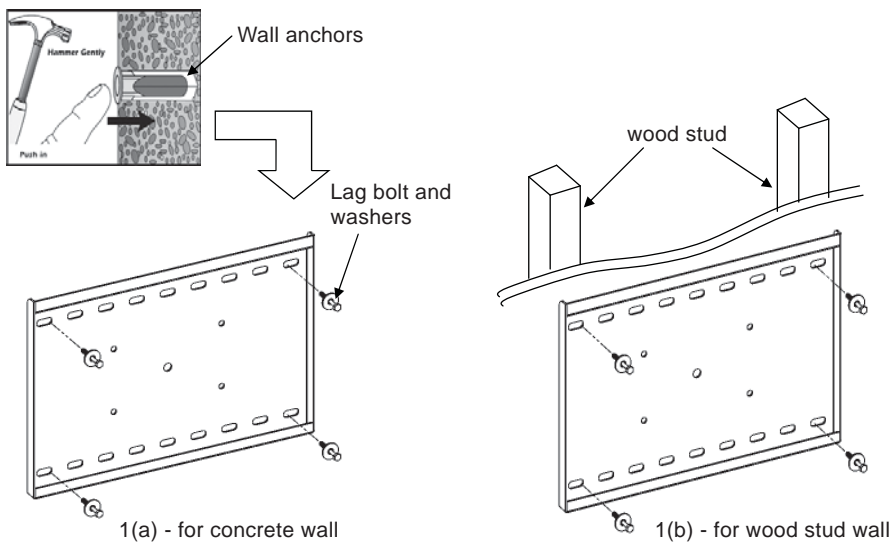
## INSTALLATION

### Steps 1: Marks position of the Wall Plate Mounting holes.

**1 (a)** - For concrete wall, drill and insert Wall Anchors (in Item 5) into concrete wall. Secure wall plate with Lag bolts and Washers provided on the wall.

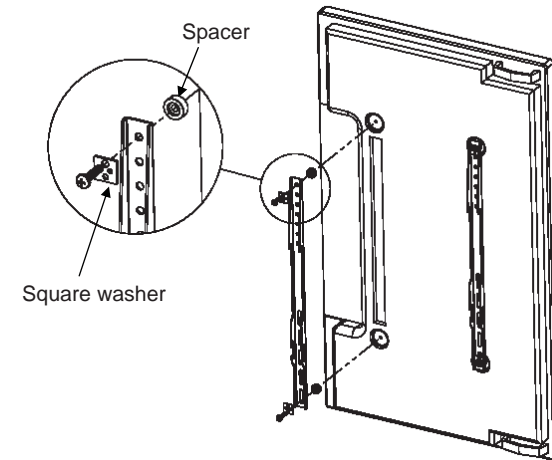
**1 (b)** - For wood stud, drill and secure wall plate with Lag bolts and Washers provided on wooden wall.

**Note:** Do not use Wall Anchor for mounting on wooden wall.

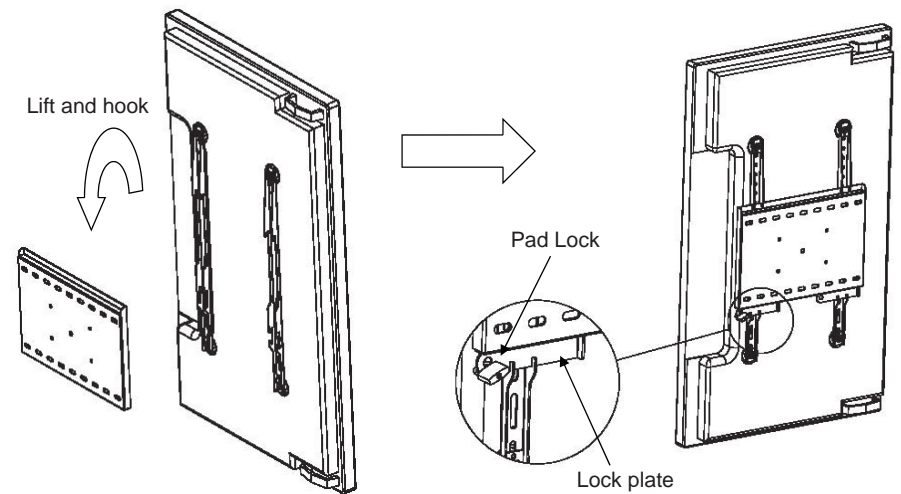


**Steps 2:** Fix 2x Hooks (Item 2) onto back of Plasma TV with screws and square washers provided in Item 4. Use Spacers when needed.

**\*Note:** If screws provided can't fit, please refer to the Plasma TV user manual for the correct mounting thread screw size.



**Steps 3:** Lift and hook Plasma TV with Hooks done is Step 2. Insert Lock plate (Item 3) at bottom of hook. Secure with pad-lock if needed.



**NOTE:** Do consult a qualified and authorized service technician if you encounter any technical difficulties. We are not liable for any damage or injuries arising from any improper installation or mishandling. Now, enjoy your LCD TV unit !!