

SPECIFICATION

Plasma Size : Suitable for 51" to 65"

Wall Plate Dimension : 1145mm (45.1") x 220mm (8.7")

Length of Hook : 558.8mm (22")

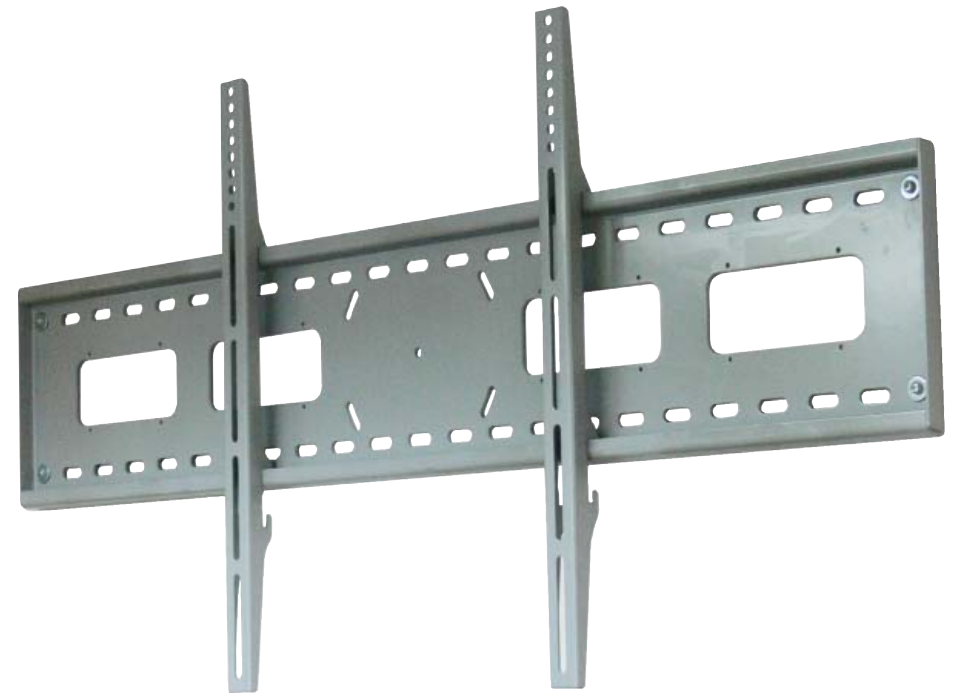
Distance from Wall : 32mm (1.25")

Load Capacity : 74kg (134 lbs)

** For details and updated Command and Program Software, please visit and download from www.abtussingapore.com








*Specifications are subject to changes without notice.

Plasma/ LCD Display Fixed Wall Mount

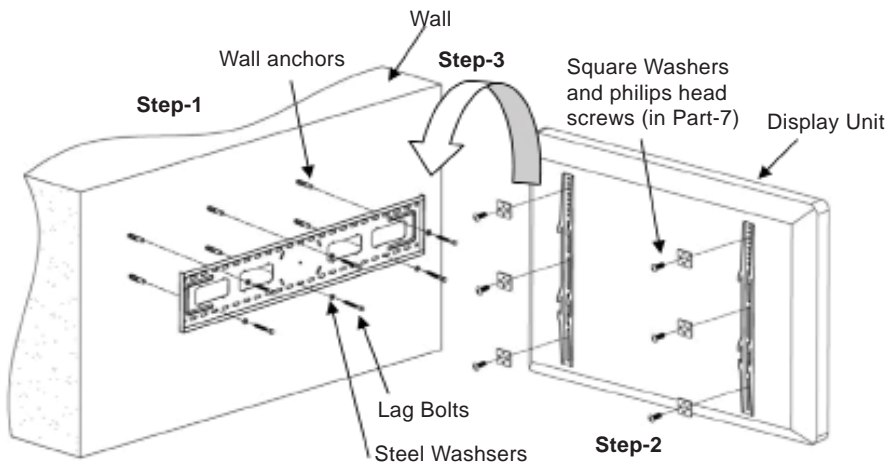


Model: AV415-XL

COMPONENTS

			
Part 1 - Wall Plate - 1 pc	Part 2 - Hooks - 2 pcs	Part 3 - Lock Plate - 2 pcs	Part 4 - Lag Bolts - 6 pcs
			
Part 5 - Wall Anchors - 6 pcs	Part 6 - Steel Washers - 6 pcs	Part 7 - Hardware Kit - 1 pcs	

MOUNTING

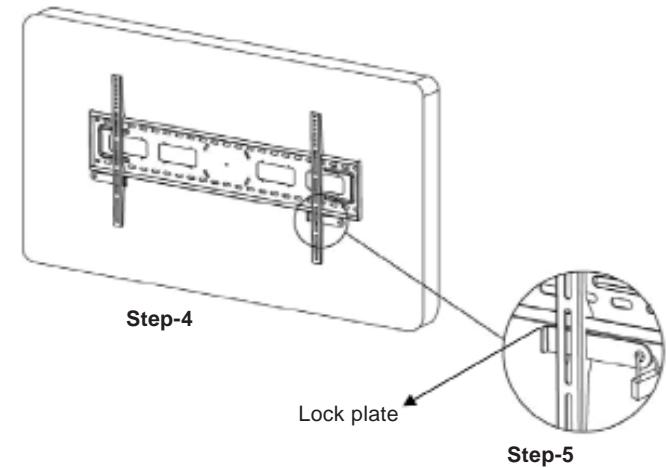


Step 1: Mount Wall plate (Part 1) to wall with Lag Bolts (Part 4), Steel Washers (Part 6), Wall Anchors (Part 5) (for concrete wall only).

Step 2: Fix Hook (Part 2) onto Display unit with Square Washers and Philips head screws (in Part 7)

Step 3: Lift and lower Display unit onto Wall Plate.

MOUNTING



Step 4: Lock Display unit to Wall Plate

Step 5: Add Pad-lock for security, if necessary.

NOTE: Do consult a qualified and authorized service technician if you encounter any technical difficulties. We are not liable for any damage or injuries arising from any improper installation or mishandling. Now, enjoy your Plasma display unit !!