

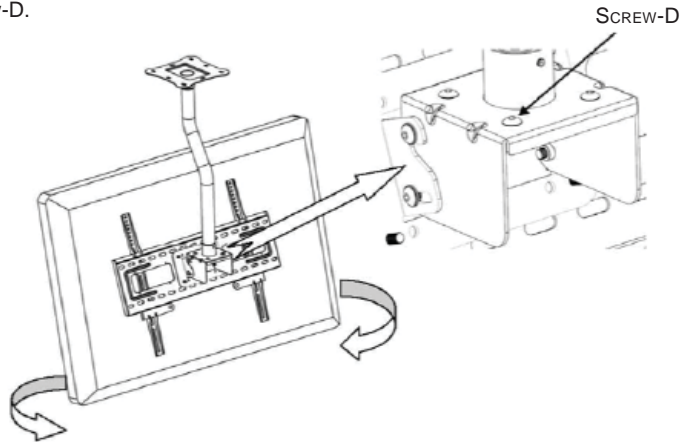
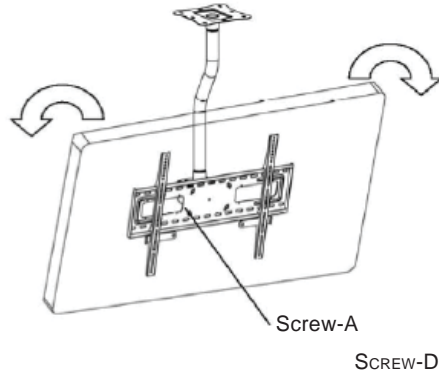
ADJUSTING THE VIEWING ANGLE

3.2 Rolling

For leveling, loosen Screw-A (4x), roll the wall plate up or down to a level position.

Tighten screw-A, lift and lower Display unit onto Wall Plate.

Loosen Screw-D (4x), grasp the upper and lower edge of the Display, and then turn the Display left or right to the desired position. Tighten Screw-D.



NOTE: Do consult a qualified and authorized service technician if you encounter any technical difficulties. We are not liable for any damage or injuries arising from any improper installation or mishandling. Now, enjoy your Plasma display unit !!

SPECIFICATION

Plasma Size	: Suitable for 37" to 50"
Wall Plate Dimension	: 750mm (29.5") x 220mm (8.7")
Length of Hook	: 558.8mm (22")
Tilt Angle	: +20 degree / -5 degree
Load Capacity	: 70kg (154 lbs)

** For details and updated Command and Program Software, please visit and download from www.abtussingapore.com

*Specifications are subject to changes without notice.






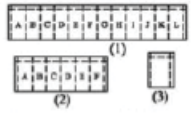
Plasma/ LCD Display Ceiling Mount



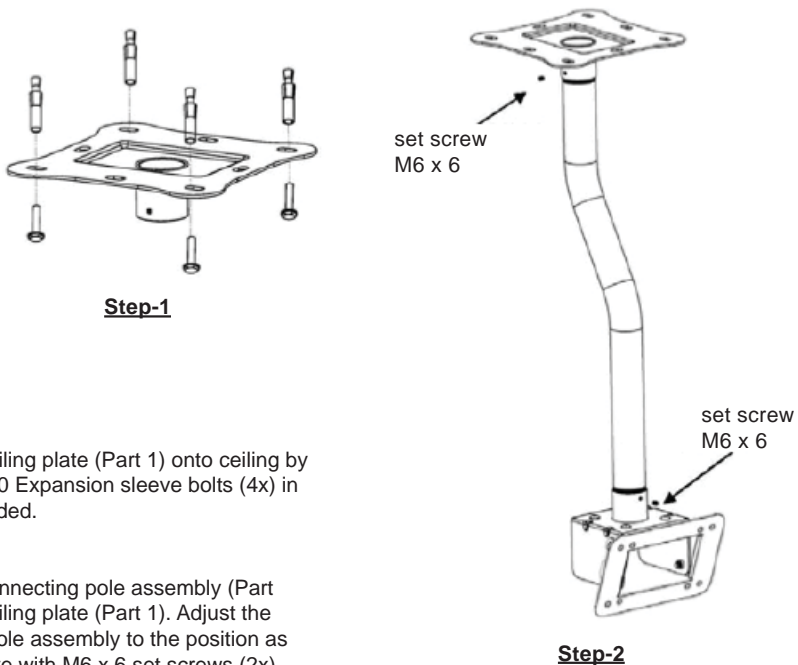
Model: AV419

User Operation Guide

COMPONENTS

		
Part 1 Ceiling Plate - 1 pc	Part 2 - Connecting Pole Assembly - 1 pc	Part 3 Wall Plate - 1pc
		
Part 4 Hook - 4 pcs	Part 5 Lock Plate - 4 pcs	Part 6 Hardware Kit - 3pcs

MOUNTING

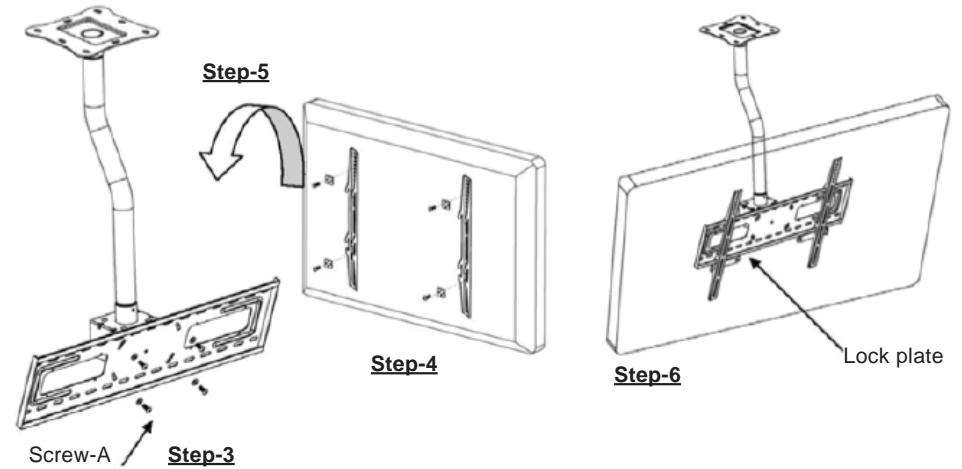


Step-1

Mount the ceiling plate (Part 1) onto ceiling by using the M10 Expansion sleeve bolts (4x) in (part 6) provided.

Step-2

Screw the connecting pole assembly (Part 2) into the ceiling plate (Part 1). Adjust the connecting pole assembly to the position as shown, secure with M6 x 6 set screws (2x) (in Part 6).



Step-3

Fix the Wall plate (Part 3) onto the Pivot plate with M8x15 Button Socket Cap Screw and washers (in part 6) as shown.

Step-4

Fix Hooks (Part 4) onto Display unit with Square Washers and Philips head screw (in Part 6).

Step-5

Lift and lower Display unit onto Wall Plate

Step-6

Lock Display unit to Wall Plate. Add pad-lock for security, if necessary.

ADJUSTING THE VIEWING ANGLE

3.1 Tilting

Loosen screw-C, grasp the upper and lower edge of the Display, and then push or pull the Display to the desired tilt angle.

Tighten both screw-B and screw-C

