

**SPECIFICATION**

	<b>AV420W-V1</b>	<b>AV420W2-V1</b>
<b>Plasma Size</b>	: Suitable for 37" to 50"	Suitable for 23" to 37"
<b>Load Capacity</b>	: 45.5kg (100 lbs)	<b>36.4kg (80 lbs)</b>

\*\* For details and updated Command and Program Software, please visit and download from [www.abtussingapore.com](http://www.abtussingapore.com)

\*Specifications are subject to changes without notice.

# Plasma/ LCD Display Ceiling Mount



Model: AV420W-V1



Model: AV420W2-V1

# User Operation Guide

## PACKAGING CONTENT

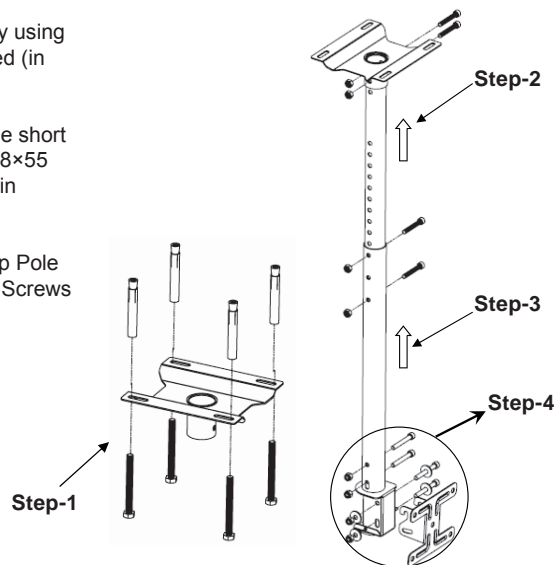
<b>Item-1</b> Ceiling Plate - 1 pc	<b>Item-2</b> Top Pole - 2 pcs	<b>Item-3</b> Bottom Pole - 1pc	<b>Item-4</b> Top Pole - 2 pcs
<b>Item-5</b> Lock Plate - 2 pcs	<b>Item-6</b> Wall Plate - 2 pcs	<b>Item-7</b> Hooks - 2 pcs	
<b>Item-8</b> Rotating Adaptor -1 pc	<b>Item-9</b> Screws bag -4 sets		

## INSTALLATION

**Step-1** – Mount the Ceiling Plate (Item-1) by using the M10 Expansion sleeve bolts(4x) provided (in Item-9).

**Step-2** – Insert the Top Pole (Item-2) into the short pipe of Ceiling Plate and secure by using M8×55 Socket Cap Screws and self-Locking Nuts (in Item-9).

**Step-3** - Insert Bottom Pole (Item-3) into Top Pole (Item- 2). Fix them with M8×55 Socket Cap Screws and self-Locking Nuts at suitable length.



## INSTALLATION

**Step-4.1** – Insert Rotating Adaptor (Item-8) into Bottom Pole, secure with M8×55 socket cap screws ,self-Locking nuts (in Item-9) as shown.

**Step-4.2** – Fix the Adaptor plate (Item-4) onto Rotating adaptor with M8×65 Socket Cap Screws ,self-Locking nuts, washers(in Item-9) as shown.

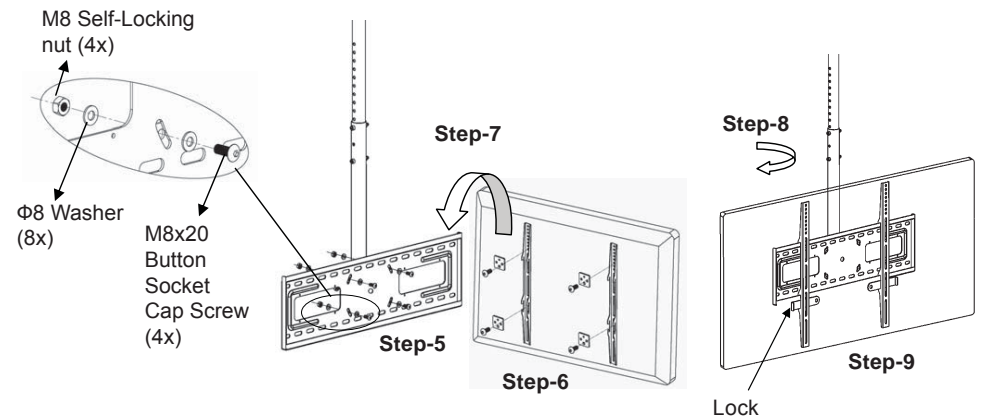
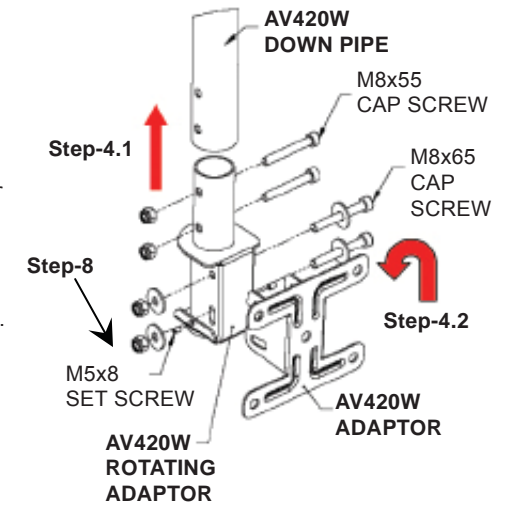
**Step-5** – Fix the Wall plate (Item-6) onto the Adaptor plate with M8×20 Button Socket Cap Screws ,washers and self-Locking nuts as shown.

**Step-6** – Fix Hooks (Item-7) onto Display unit with Square Washers and Philips head screws(in Item-9).

**Step-7** – Lift and lower Display unit onto Wall Plate.

**Step-8** – Rotate Plasma TV with Rotating Adaptor to a desired viewing angle. Lock and secure the position with m5x8 set screws(as shown in Step-4).

**Step-9** – Lock Display unit to Wall Plate. Add Pad-lock for security, if necessary.



**NOTE:** Do consult a qualified and authorized service technician if you encounter any technical difficulties. We are not liable for any damage or injuries arising from any improper installation or mishandling. Now, enjoy your Plasma TV unit !!