

SPECIFICATION

Plasma Size : Suitable for 37" to 65"

Wall Plate Dimension : 750mm (29.53") x 220mm (8.7")

Length of Hook : 530mm (20.87")

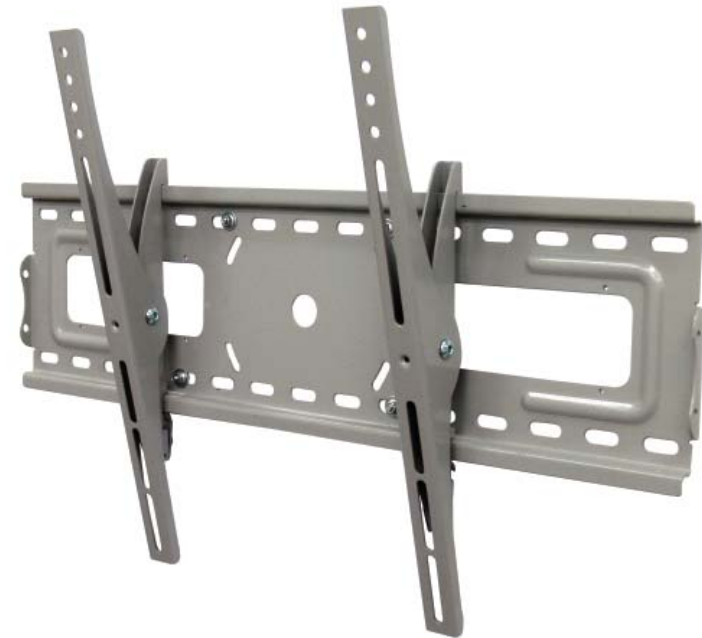
Distance from Wall : 72mm (2.83")

Load Capacity : 45kg (100 lbs)

** For details and updated Command and Program Software, please visit and download from www.abtussingapore.com

*Specifications are subject to changes without notice.

Plasma/ LCD Display Tilt Wall Mount

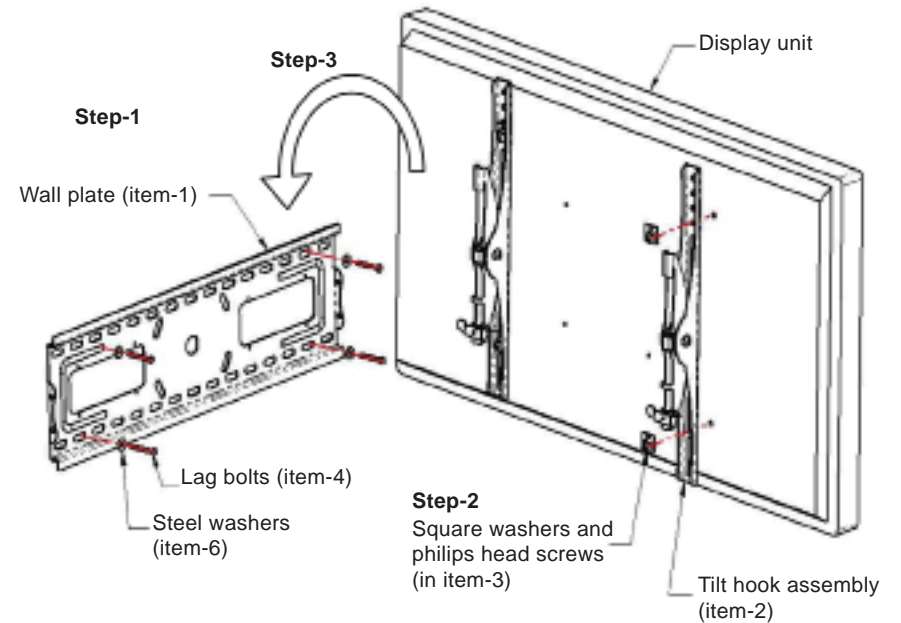


Model: **AV480-WT**

COMPONENTS

Item 1 - Wall Plate - 1 pc	Item 2 - Tilt Hook Assembly - 2 pcs	Item 3 - Hardware Kit - 1 pc
Item 4 - Lag Bolts - 4 pcs	Item 5 - Wall Anchor - 4 pcs	Item 6 - Steel Washers- 4 pcs

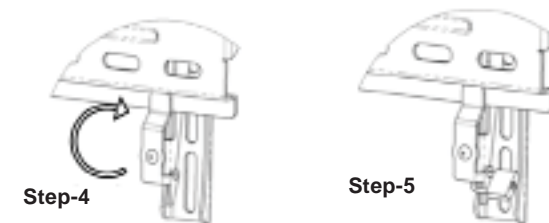
MOUNTING



Step 1: Mount Wall plate (item-1) to wall with Lag Bolts (item 4), Steel Washers (item 6), Wall Anchors (item 5) (for concrete wall only).

Step 2: Fix Hook Assembly (item 2) onto Display unit with Square Washers and Philips head screws (in item 3)

Step 3: Lift and lower Display unit onto Wall Plate.



Step 4: Lock Display unit to Wall Plate

Step 5: Add Pad-lock for security, if necessary.

NOTE: Do consult a qualified and authorized service technician if you encounter any technical difficulties. We are not liable for any damage or injuries arising from any improper installation or mishandling. Now, enjoy your Plasma display unit !!