

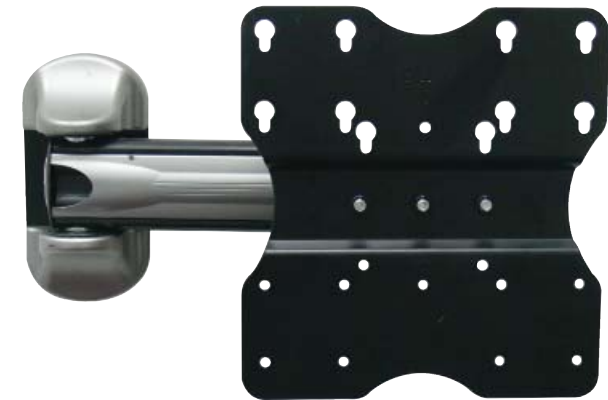
SPECIFICATION

Suitable Size	: Suitable for 23" to 37"
Gross Dimension	: 386mm (15.2") x 250mm (9.8") x 116mm (4.5")
Arm Swivel	: 180 degrees
Tilt Angle	: -5 / +5 degrees
Distance from Wall	: 116mm (4.5")
Gross Weight	: 4kg (8.8 lbs)
Load Capacity	: 36kg (80 lbs)

Plasma/ LCD Display Single Arm Ceiling Mount

** For details and updated Command and Program Software, please visit and download from www.abtussingapore.com

*Specifications are subject to changes without notice.



Model: AV508-S

Revision 0

User Operation Guide

PACKAGE CONTENTS

Item 1 Wall Arm - 1 set	Item 2 Screw bag - 1 set	Item 3 Covers - 2 pcs

INSTALLATION

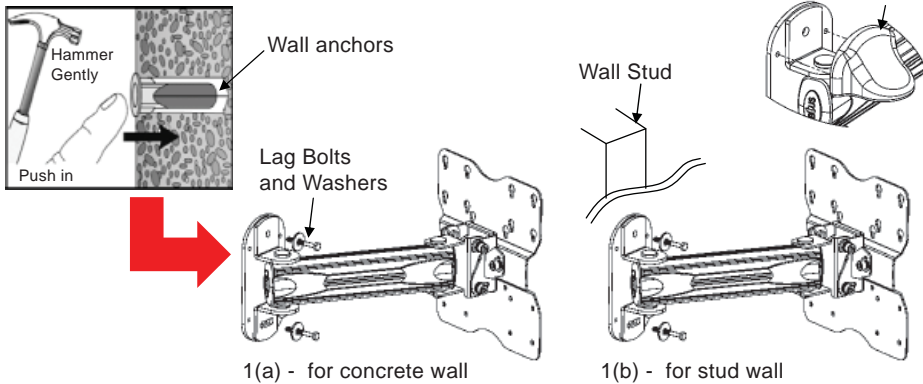
Step - 1— Marks position of the Wall Plate mounting holes.

1(a) - For concrete wall, drill and insert Wall Anchors (in Item 2) into concrete wall. Secure Wall Arm (Item-1) with Lag bolts and Washers provided on the wall.

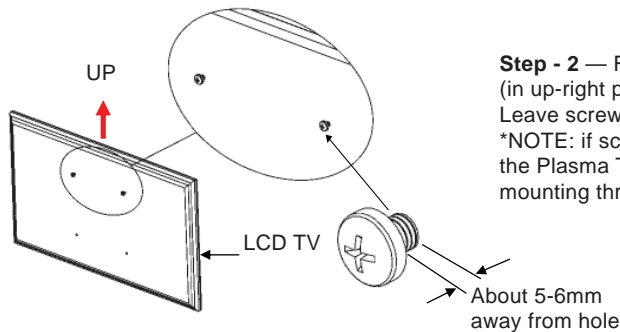
1(b) - For wood stud, drill and secure Wall Arm (Item-1) with Lag bolts and Washers provided on wooden wall.

Note: do not use Wall Anchor for mounting on wooden wall.

1(c) - cover the screws with the Covers (Item-3)

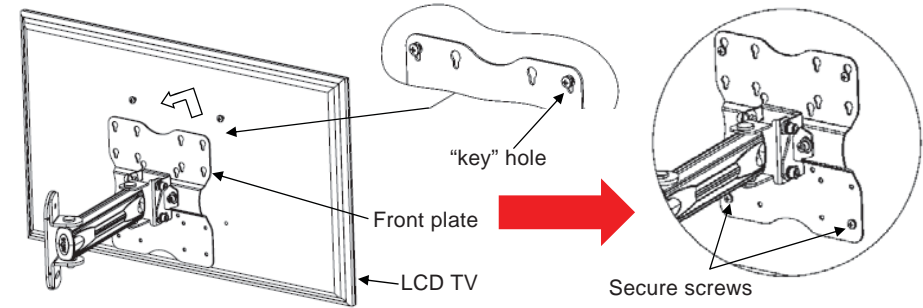


Step - 2 — Fix 2x screws onto back of LCD TV (in up-right position) at the upper set of holes. Leave screws about 5-6mm away from holes.
*NOTE: if screws provided can't fit, please refer to the Plasma TV user manual for the correct mounting thread screw size.

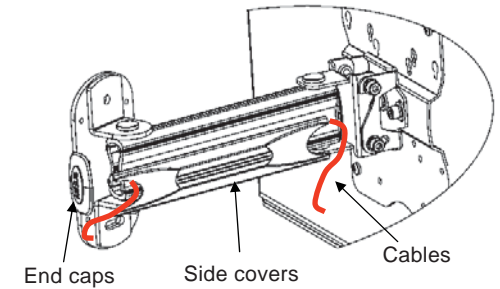


INSTALLATION

Step - 3 -Lift and insert LCD TV with screws through the “key” holes on the front plate of the Wall Arm mounted on the wall done in Step-1. Secure with 2x screws at the bottom of the front plate. Tighten all screws.



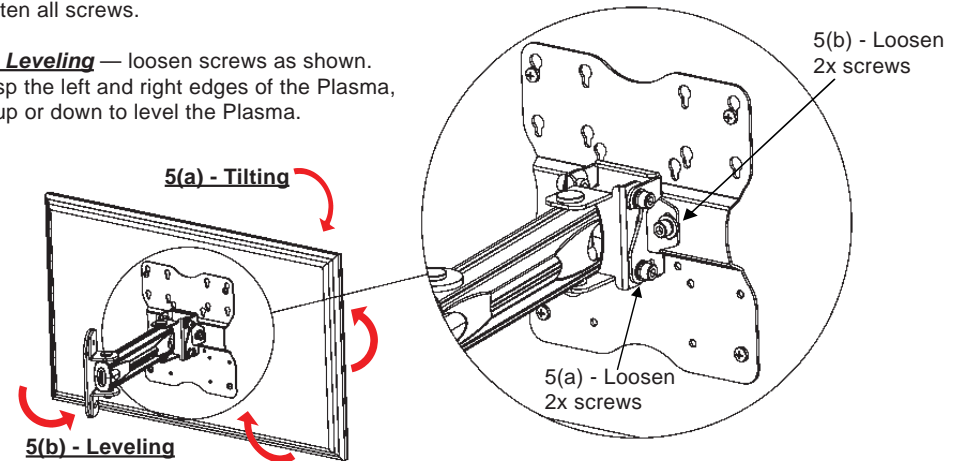
Step - 4 - For Cable management, remove the End caps and slide the Side covers out of the arms. Run cables in the space of the arm. When done, Side covers can be slide back or clip from the front until hear a “click” sound. Cover back the End caps.



Step - 5— Adjustment:

5(a) Tilting—loosen the bottom screws at curved slot hole area, grasp the upper and lower edges of the Plasma, pull or push the Plasma to tilt it to a desired viewing angle. Tighten all screws.

5(b) Leveling — loosen screws as shown. Grasp the left and right edges of the Plasma, roll up or down to level the Plasma.



NOTE: Do consult a qualified and authorized service technician if you encounter any technical difficulties. We are not liable for any damage or injuries arising from any improper installation or mishandling.