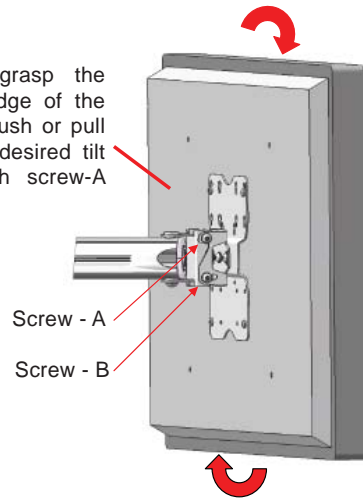


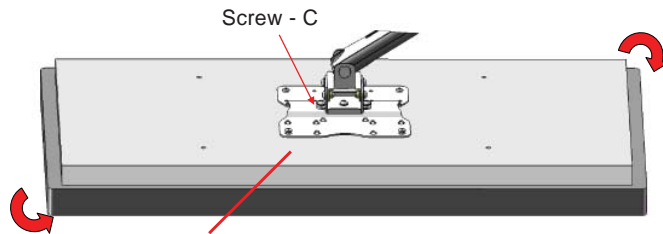
ADJUSTING THE VIEWING ANGLE

4.1 Tilting

Loosen screw-B, grasp the upper and lower edge of the Display, and then push or pull the Display to the desired tilt angle. Tighten both screw-A and screw-B.



4.2 Rolling



For leveling, loosen Screw-C (3X) behind the Front VESA plate, grasp the edges of the display, roll up or down to a level position. Tighten Screw-C

# Plasma/ LCD Display Cantilever Mount



**NOTE: Do consult a qualified and authorized service technician if you encounter any technical difficulties. We are not liable for any damage or injuries arising from any improper installation or mishandling.**

\*\* For details and updated Command and Program Software, please visit and download from [www.abtussingapore.com](http://www.abtussingapore.com)



\*Specifications are subject to changes without notice.

Model: AV508-WP5

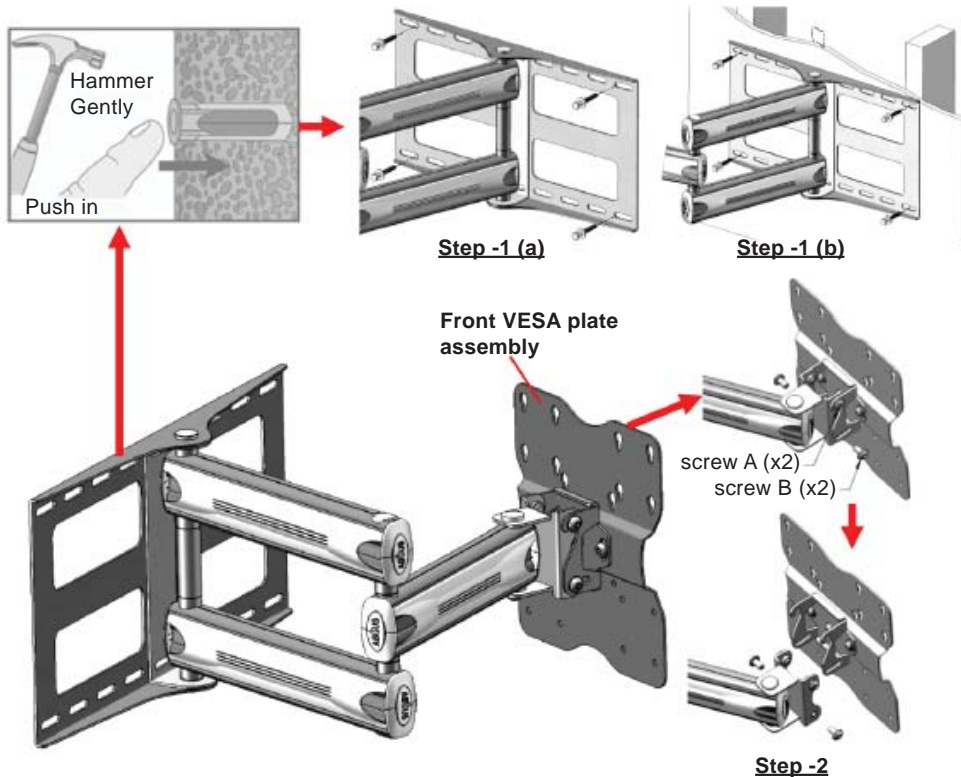
Revision 0

# User Operation Guide

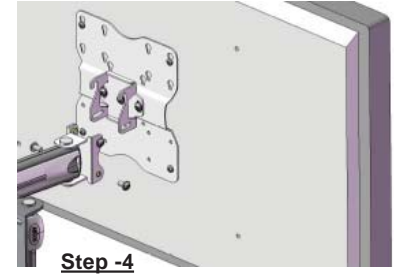
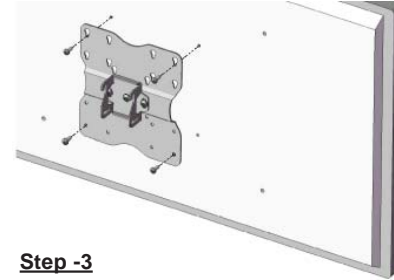
## COMPONENTS

	
<b>Item 1</b> AV508-WP5 - 1pc	<b>Item 2</b> Hardware Kit - 1 pc

## MOUNTING



## INSTALLATION



**Step-1(a)** – Concrete Wall mounting – drill holes and insert the Wall Anchors into the concrete wall. Fix the Mount onto the wall with the Lag Bolts and Washers provided.

**Step-1(b)** – Wood Stud mounting – use Stud finder to locate the stud. Fix the Mount on the wall with the Lag Bolts and Washers provided.

**\*Caution:** Do not use Wall Anchors when mounting onto Wood Stud !!

**Step-2** – remove the Front VESA plate assembly from the Mount. (Note: loosen and left screw-A on the bracket, remove screw-B)

**Step-3** – fix the Front VESA plate assembly on the Plasma.

**Step-4** - Lift and lower the Plasma with the Front VESA plate assembly onto the Front arm of the mount. Tighten screw-A and B.

## CABLE MANAGEMENT

