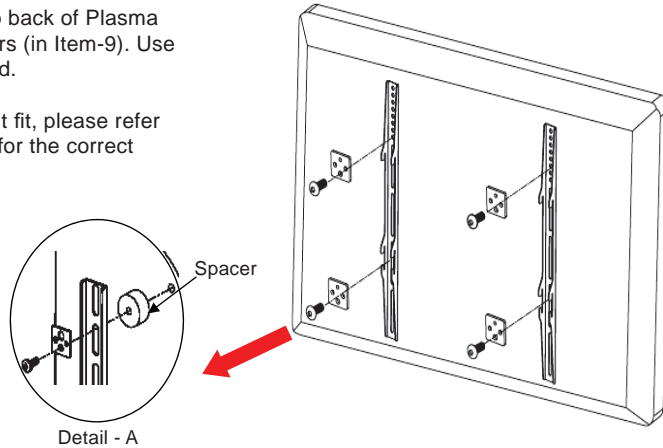


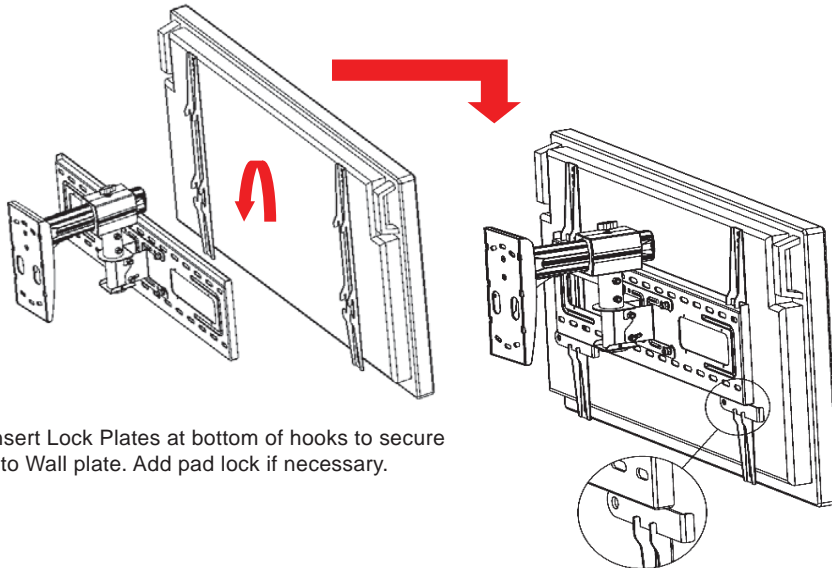
INSTALLATION

Step - 5 Fix hooks (Item-7) onto back of Plasma with screws and Square washers (in Item-9). Use Spacers (see detail-A) if needed.

***NOTE:** if screws provided can't fit, please refer to the Plasma TV user manual for the correct mounting thread screw size.



Step - 6 Lift and hook Plasma onto mounted Wall Arm done in Step 1 - 4.



Step - 7 Insert Lock Plates at bottom of hooks to secure plasma onto Wall plate. Add pad lock if necessary.

NOTE: Do consult a qualified and authorized service technician if you encounter any technical difficulties. We are not liable for any damage or injuries arising from any improper installation or mishandling. Now, enjoy your Plasma TV unit !!

** For details and updated Command and Program Software, please visit and download from www.abtussingapore.com

*Specifications are subject to changes without notice.

Plasma/ LCD Display Wall Arm Mount



Model: AV509

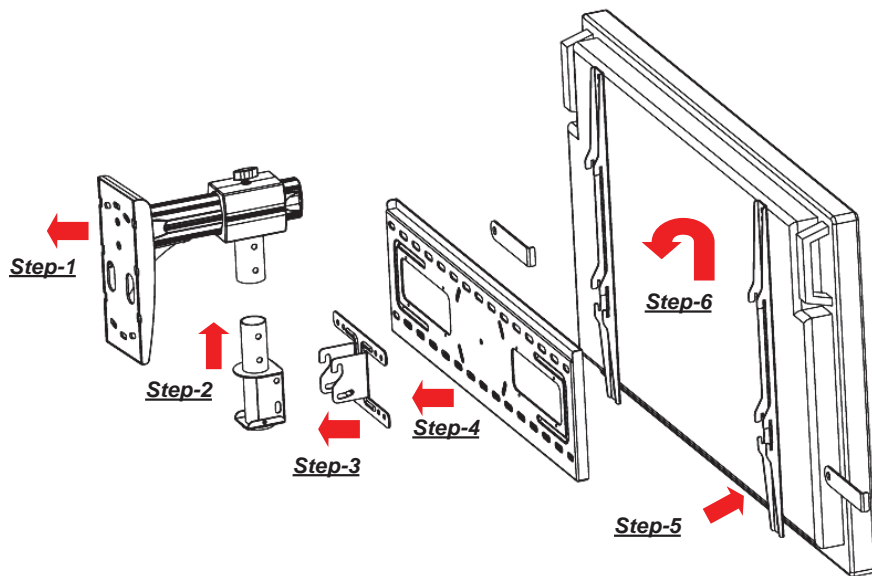
PACKAGE CONTENTS

Item 1 Wall Arm - 1 set	Item 2 - Rotating Adaptor Adaptor - 1 set	Item 3 Adaptor Plate Plate - 1 set	Item 4 Screw Bag 1(in item 2) - 1 set	Item 4 Screw Bag 2 - 1 set

AV415W Packages

Item 6 Wall Plate - 1 pc	Item 7 Hook - 2 pcs	Item 8 Lock Plate - 2 pcs	Item 9 Screw bag 3 - 1 set

INSTALLATION

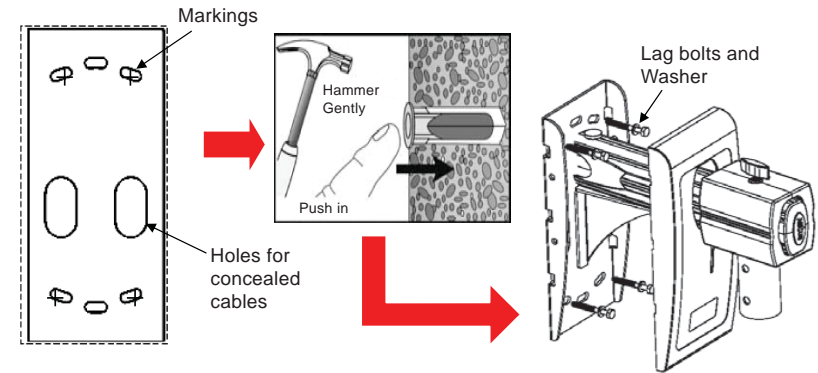


INSTALLATION

Step - 1 -Marks position of the Wall Plate mounting holes. Drill and insert Wall Anchors (in Item 5) into concrete wall.

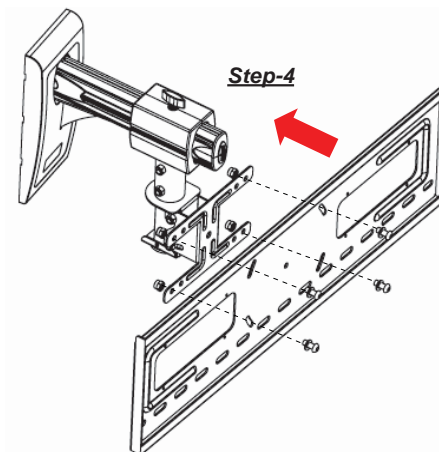
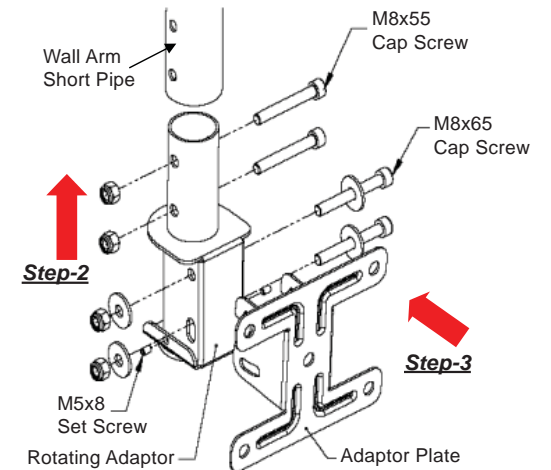
Note: do not use Wall Anchor for mounting on wooden wall.

Mount Wall Arm (Item 1) onto wall by using the Lag Bolts and Washers provided(in Item-5).



Step - 2 - Insert Rotating Adaptor(Item-2) into Wall Arm short pipe. Secure with M8X55 cap screws (in Item-4).

Step - 3 - Fix Adaptor Plate (Item-3) onto Rotating Adaptor and secure with M8X65 cap screws (in Item-4).



Step - 4 - Fix Wall Plate(Item-6) onto Adaptor Plate and secure with cap screws, washers and hexagon nuts (in Item-4).