

**SPECIFICATION**

**Suitable Size** : 10" to 23" LCD Monitor

**VESA Standard** : 75 / 100 compliant

**Overall Dimension** : 120 x 120 x 44 (mm)

**Gross Weight** : 0.8kg (1.76 lbs)

**Distance from Wall** : 44mm (1.73")

**Load Capacity** : 20kg (44 lbs)

# LCD Monitor Wall Mount (Tilt)

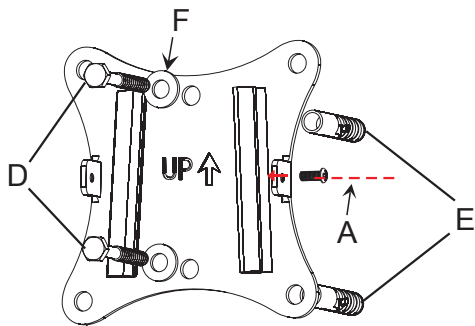
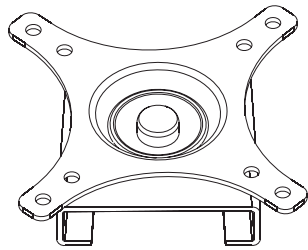
\*\* For details and updated Command and Program Software, please visit and download from [www.abtussingapore.com](http://www.abtussingapore.com)

\*Specifications are subject to changes without notice.



Model: **AV607-T**

## PACKAGING CONTENT



| ID | Description   | Qty |
|----|---|-----|
| A  | Bottom Head Screw M4 x 12                             | 1   |
| B  | Truss Head Screw M4 x 15                              | 4   |
| C  | Bottom Head Screw M5 x 15                             | 4   |
| D  | Lag Bolt Washer ST8 x 50                              | 4   |
| E  | Masonry Wall Anchor $\Phi 10 \times \Phi 7 \times 45$ | 2   |
| F  | Washer $\Phi 8 \times 1.6$                            | 2   |

