

SPECIFICATION

Suitable Projector : Panasonic PT-F100, PT-F200, PT-F300

Height Adjustment : Max: 817mm | Min: 567mm

Load Capacity : 20kg (44 lbs)

Color Option : Silver

Projector Mounting Plate



** For details and updated Command and Program Software, please visit and download from www.abtussingapore.com

*Specifications are subject to changes without notice.



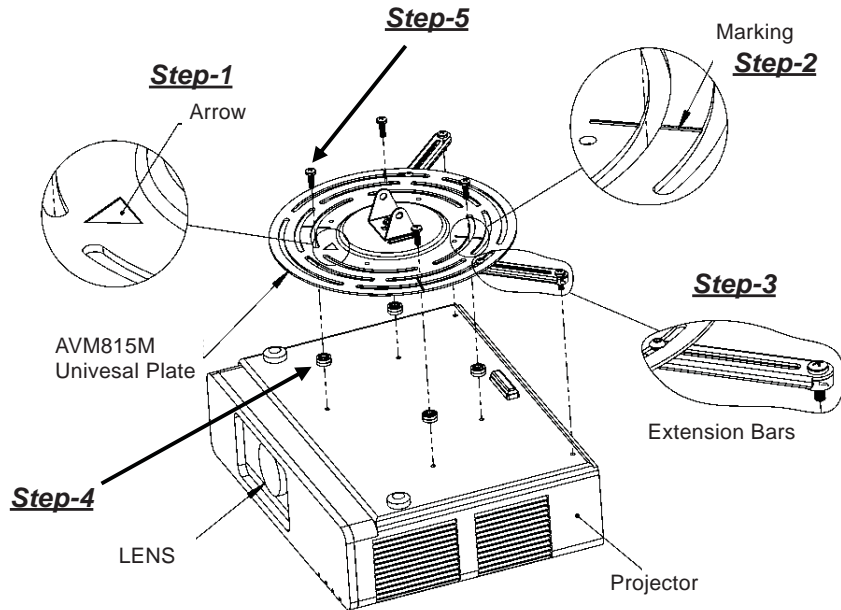
Model: **AV815M**

PACKAGE CONTENTS

	
Item 1- AV815M Universal Plate - 1pc	Item 2 Spacer- 1mm - 4pcs , 2mm - 4pcs, 4mm - 4pcs

NOTE: Universal Plate Medium is to be used combination with AV815 Projector Ceiling Mount

INSTALLATION INSTRUCTION



Steps 1: Place AVM815M Universal Plate onto Projector with "Arrow" pointing towards Projector lens direction

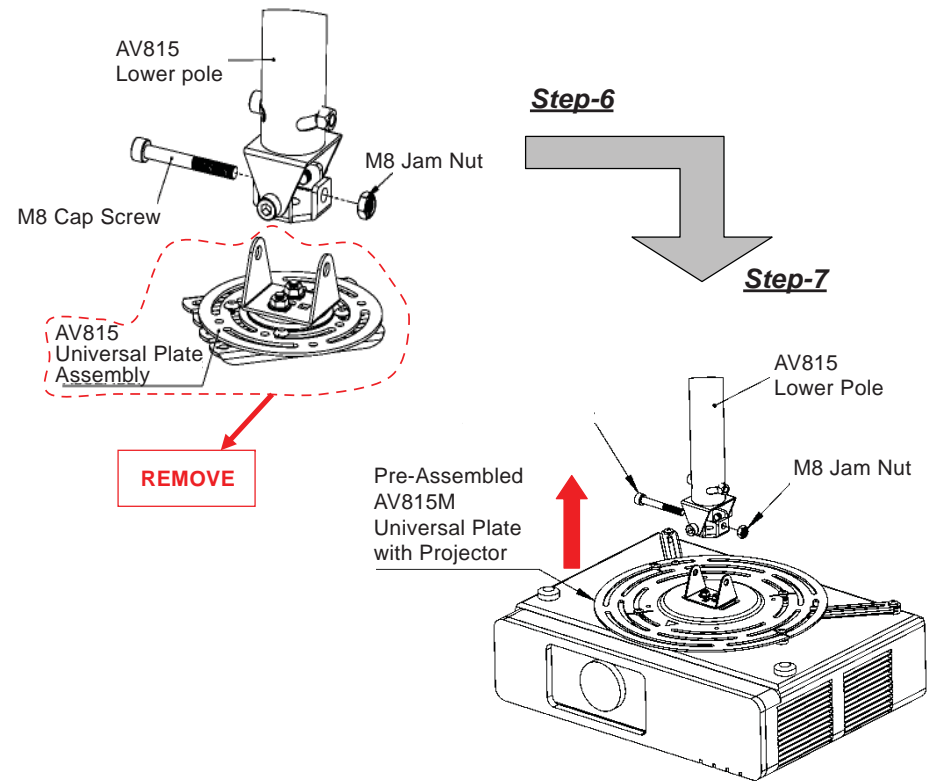
Steps 2: Align "Markings" on Universal Plate to Projector mounting holes.
Notes: these "Markings" are especially for Panasonic Projector Model: PT-F100, PT-F200.
Other projectors will have to align within the slotted holes and use extension bars if needed.

Steps 3: Fix 2x extension bars (from AV815 Ceiling Mount) and align to mounting holes.

Steps 4: Place spaces under universal plate and align them to mounting holes.

Steps 5: tighten and secure with screws.

FIXING ONTO AV815 PROJECTOR MOUNT



NOTE: Do consult a qualified and authorized service technician if you encounter any technical difficulties. We are not liable for any damage or injuries arising from any improper installation or mishandling.