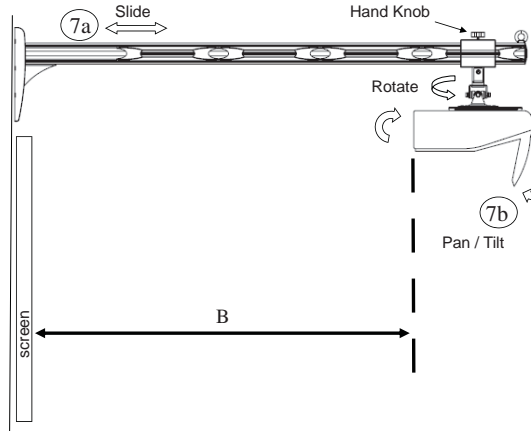
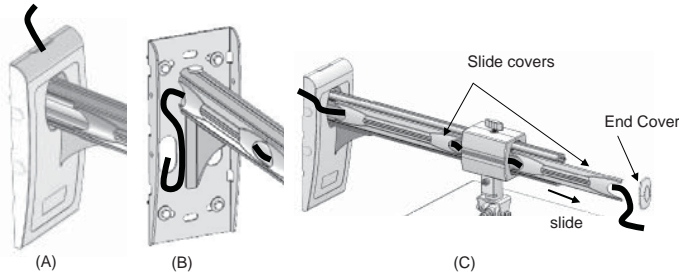


INSTALLATION

Step-6—Cables management:

- A. from top of casing by breaking the tag on the cover.
- B. for concealed cable from wall.
- C. remove End Cap, slide Slide Covers out from Arm, run cables and slide covers back to place.

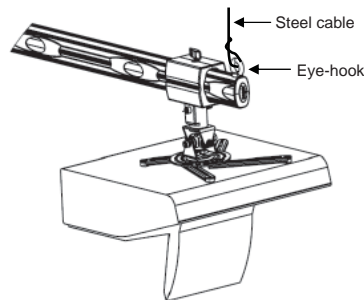


Step-7—Adjustments:

7a. Projection distance (B) - refer to Projector User Manual and dependant on the required diagonal size of image, adjust the distance from the "face of the whiteboard" to the "front of the projector" (nearest part to screen) by loosening the Hand Knob and sliding the projector mount along the wall arm.

7b. Pan / Tilt / Rotate Projector to adjust the projection image onto the screen.

Step-8— Dependant on the weight of projector, use steel cable (not included) for reinforcement by inserting the cable through the eye-hook at the front of the arm and tie to the ceiling if needed.



Short Throw Projector Wall Mount



Model: AV890-1500

NOTE: Do consult a qualified and authorized service technician if you encounter any technical difficulties. We are not liable for any damage or injuries arising from any improper installation or mishandling.

PACKAGING CONTENT

Item-1 Wall Arm —1 set	Item - 2 Universal Mount —1 set	Item - 3 Screw bag 1 —1 set	Item - 3 Screw bag 2 —1 set

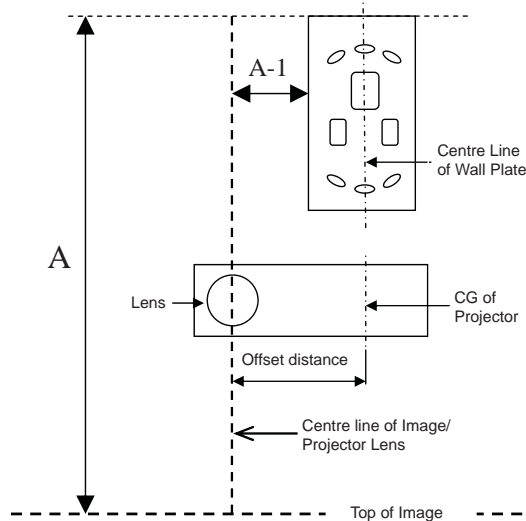
INSTALLATION

Step-1 — Mark the position on the wall for the Wall Plate as shown in Diagram 1.

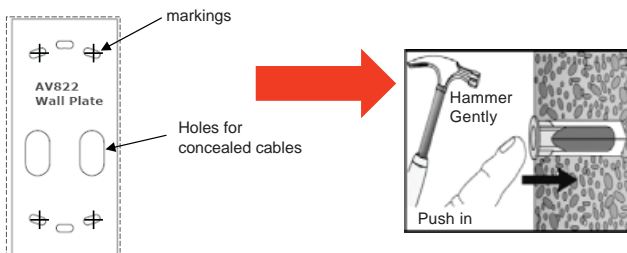
Note: Mounting position will be vary dependent on the Brand and Model of Projector used. Please refer to Projector User Manual for installation details.

To find dimention A-1,
 $A-1 = (\text{offset distance}) - 6.15\text{cm}$

To find dimention A, align Top of image to the edge Screen or refer to Projector User Manual for details.

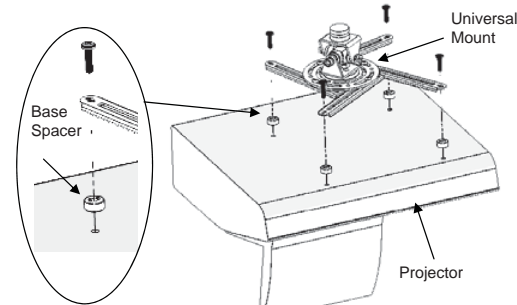
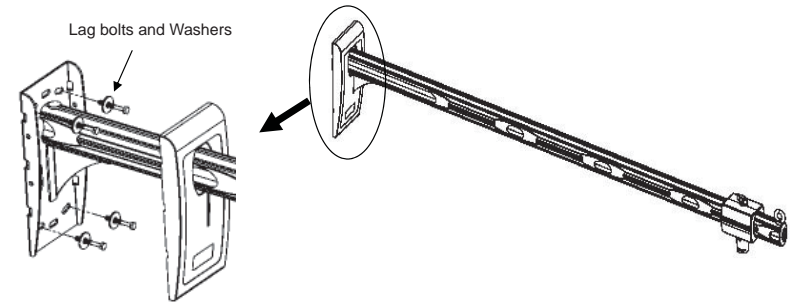


Step-2 — Marks position of the Wall Plate mounting holes. Drill and insert Wall Anchors (in Item 4) into concrete wall. Note: Do not use Wall Anchor for mounting on wooden wall.



INSTALLATION

Step-3 — Mount Wall Arm (Item 1) onto wall by using the Lag Bolts and Washers (in Item 4) provided.



Step-4 — Fix Universal Mount (Item 2) with Base Spacer ("M" in Item 3) and Screws ("A" -"I" in Item 3) onto Hitachi projector.

Step-5 — Lift and insert the assembled projector (in Step-4) into the short pipe adaptor of the Wall Arm. Insert the Locking L-bracket (in Item 4) and secure with M8 socket cap screw and nut (in Item 4).

