

SPECIFICATIONS

INPUT:	VGA input x3 (*D-Sub 15pin) PC-Audio x2 (*3.5mm) C-Video x1 (*RCA) Stereo Audio x1 (*RCA) Microphone x1 (*3.5mm) Microphone x1 (*6.3mm)	
OUTPUT:	VGA output x2 (*300 MHz) **1 to projector and 1 for monitor C-Video x1 Main Stereo Audio x1	
VGA BANDWIDTH:	3-in 2-out VGA Distribution Amplifier (900MHz R+G+B)	
MAX RESOLUTION:	1280 x 1024	
ALL CABLE LENGTH:	Up to 28 meter	
CONTROL:	RS-232 Tx Only (8 Data Bit and 1 Stop Bit)	
BAUD RATE:	9600 to 38400	
PARITY BIT:	Non, Even or Odd	
DELAY TIME:	Projector "ON/OFF" delay time (*in sec) 1 to 99	
CONTROL BUTTON:	Number of user defined "Control Button" x 8 Available protocol for each "Control Button" x 1	
LED/BUZZER:	With LED & Buzzer for confirmation	
VIDEO SELECTION:	All Video/VGA Input Switching	Digital
AUDIO SELECTION:	Audio Input Switching	Digital
VOLUME:	Main Volume Control	Analog
MIC GAIN:	Mic Input Gain Control	Analog
POWER SOURCE:	9~12V-DC 350mA	

** For detail and updated RS-232 Command protocol for programming, please visit and download from www.abtussingapore.com

* Specifications are subject to changes without notice.

Multimedia Projector Control Panel



Model: AVS-308V6P

User Operation Guide

PRODUCT DESCRIPTION

The **ABTUS AVS-308V6P** Media Control Panel is specifically designed for the easy control of any AV projection system. It removes the need for over-complicated and multiple remote control handsets.

PRODUCT HIGHLIGHTS

- EASY-TO-USE**
Logical Layout for power, source selection, and volume with little or no training required to operate the system. LED indication with simple ICON buttons layout clearly indicates the status of the system even when the room is darkened.
Replace Complicated Remote allowing the presenter to concentrate on the presentation and the audience.
- EASY-TO-INSTALL**
Easy to Install with a standard 2.54mm connector (Plug and Play)
User Programmable projector protocol can be programmed accordingly through dip-switch setting.
Standard UK Size of the AVS-308V6P Panel fits into a UK 2-Gang back box which means no special fittings are required.
- UNIVERSAL RS-232 CONTROL**
Universal Projector remote Control of the AVS-308V6P Panel is compatible with almost any projector or largescreen display. (*Supports 1200 to 15200 baud rate)

TURNING ON AND BASIC OPERATION CONTROL

3. PC-1 Button
Used to select Projector Input to "PC" Input and its inter VGA switcher and audio switcher to PC-1 (Laptop) accordingly. The LED will blink once and stay ON

4. PC-2 Button
Used to select Projector to "PC" Input and its inter VGA switcher and audio switcher to PC-2 (Desktop) accordingly. The LED will blink once and stay ON

5. PC-3 Button
Used to select Projector Input to "PC" Input and its inter VGA switcher PC-3 (Document Camera) accordingly. The LED will blink once and stay ON

6. AV Input
Used to select Projector Input to "AV" Input and its inter Audio switcher to Video-Audio accordingly. The LED will blink once and stay ON

7. Wireless Button
Used to select Projector to "Wireless/Network" Input and its inter audio switcher to Network accordingly. The LED will blink once and stay ON

8. Pic Mute Button
Used to select Projector to "Pic blank" ON/OFF and its inter audio switcher to mute accordingly. The LED will blink once and stay ON

9. Main Volume Control
Tuning Up and Down of the main Volume level

10. Mic Gain Control
Tuning Up and Down of the Mic Gain level

11. PC-3 Input
VGA Input port for Document camera connection

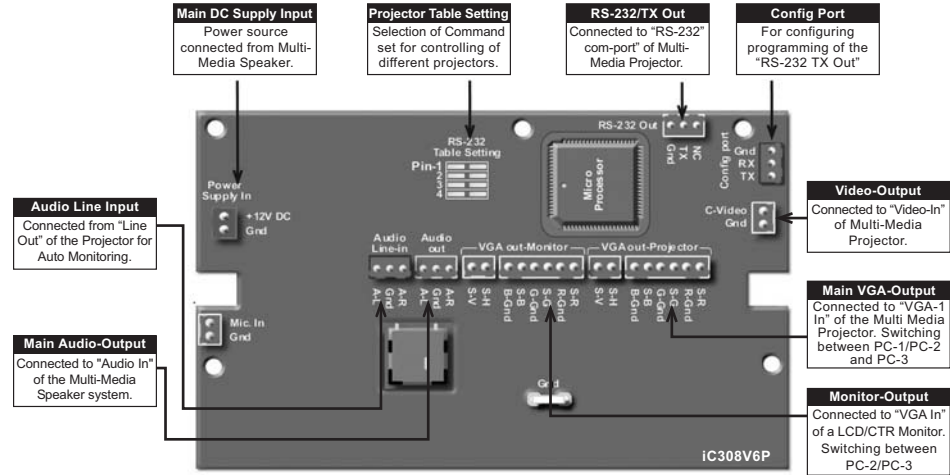
12. Mic Input
For both 6.3mm and 3.5mm Microphone Input connection

13. PC-2 Input
VGA Input port with PC-Audio for Desktop connection

14. PC-1 Input
VGA Input port with PC-Audio for Laptop connection

15. Audio Video Input
Audio Video Input port for DVD or VRC connection

INTER-CONNECTION TO DISPLAYERS AND MULTIMEDIA SPEAKER



SYSTEM DIAGRAM

