

SPECIFICATION

Plasma Size	: Suitable for 32" to 85"
Base Dimension (W x D x H)	: 260 x 260 x 890 mm
Gross Weight	: 21 kg
Load Capacity	: 125 kg
Distance to Wall	: 30 mm
VESA	: 200 x 200, 400 x 400, 600 x 400, Max VESA 800 x 600

** For details and updated Command and Program Software, please visit and download from www.abtussingapore.com

*Specifications are subject to changes without notice.

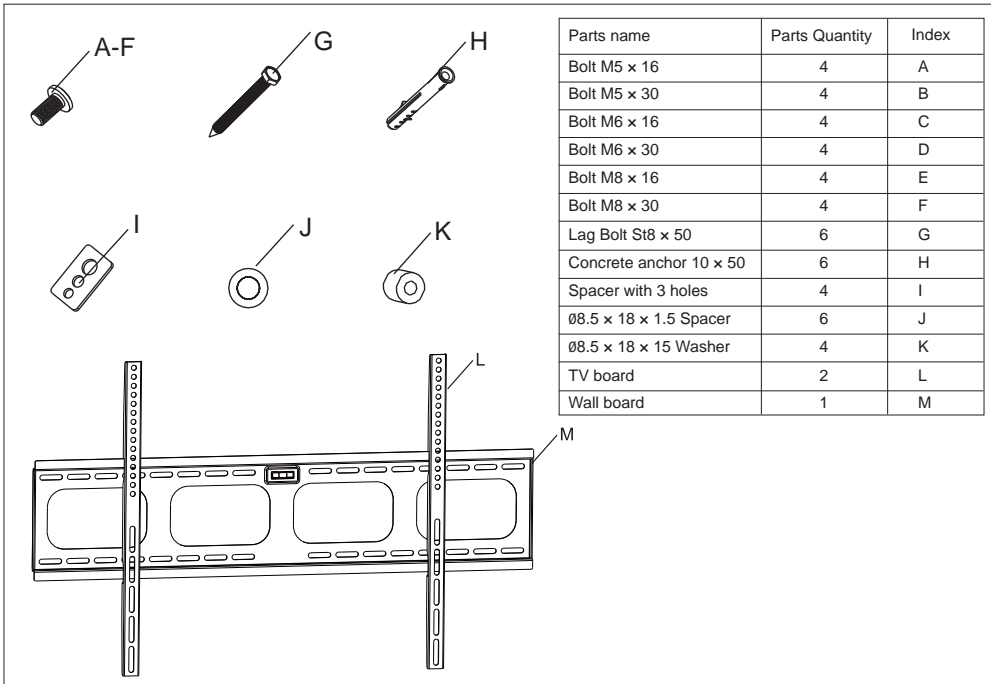
Plasma/ LCD Display Fixed Wall Mount



Model: **AV411-XL**

Revision 0

PACKAGING CONTENT



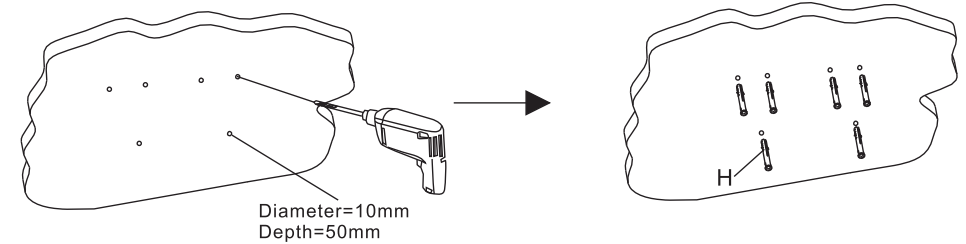
WARNING

1. Do not begin to installation of the product on you have read and understand the instrctions and warnings contained in this installation sheet. If you have any questions regarding any of the instruction or warning, please contact your local distributor.
2. Please refer to manufacture's installation guide recommendation for required distance from wall to avoid risk of proerty damage.
3. This product should only be installed by someone of good mechanical aptitude, with experience and basic building, and fully understands.
4. Make sure that the supporting surface will safely support the combined load of equipment and all attached hardware an components.
5. Never exceed the Maximum Load Capacity.
6. If mounting to wood wall studs, make sure that mounting screws are anchored into the center of the studs. use of an "edge to edge" stud finder is highly recommended.
7. This product intended for indoor use only. Use of this product outdoors could lead to product failure and personal injury.

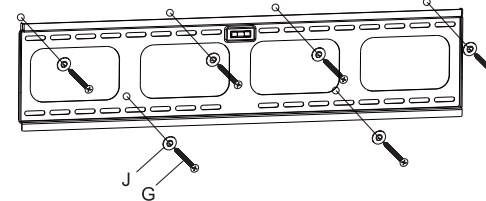
INSTALLATION

WARNING

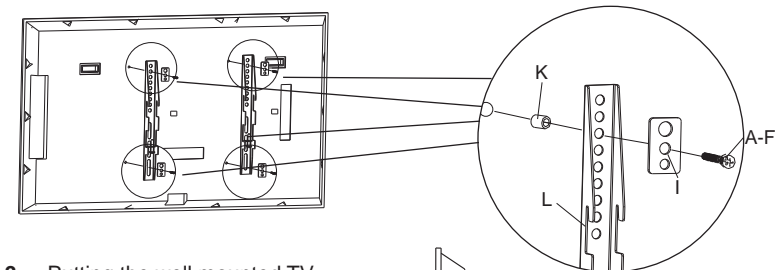
1. Tighten screws firmly, but do not over tighten. Over tightening can damage the screws, greatly reducing their holding power.
2. Make sure that mounting screws are anchored into the center of the studs. Use to "edge to edge" stude finder is highly recommended.



Step-1 — Mounting the wall board to studs Drilling in the wall then put 10x50 Concrete anchor 9H) in the holes, and fixed the wall board to the wall by matched ST8x50 Lag bolt (G) and Ø8.5 x 18 x 1.5 Spacer (J) as above/Left fig. Keep the bublt level aline.



Step-2 — Mounting the TV set to the TV board, Using A-F Bolt packed in accessories package to mount the screen to the TV board. Put the screw (A-F) to Spacer (I), then fix them to TV set mouting holes show as below fig.



Step-3 — Putting the well mounted TV board with screen to the wall board Hang the TV set mounted on the TV board (L) to wall board (M). Finally put the locking bar into the matched hole.

