

# Installation Guide



**Universal Interface Panel IFP-502-A**

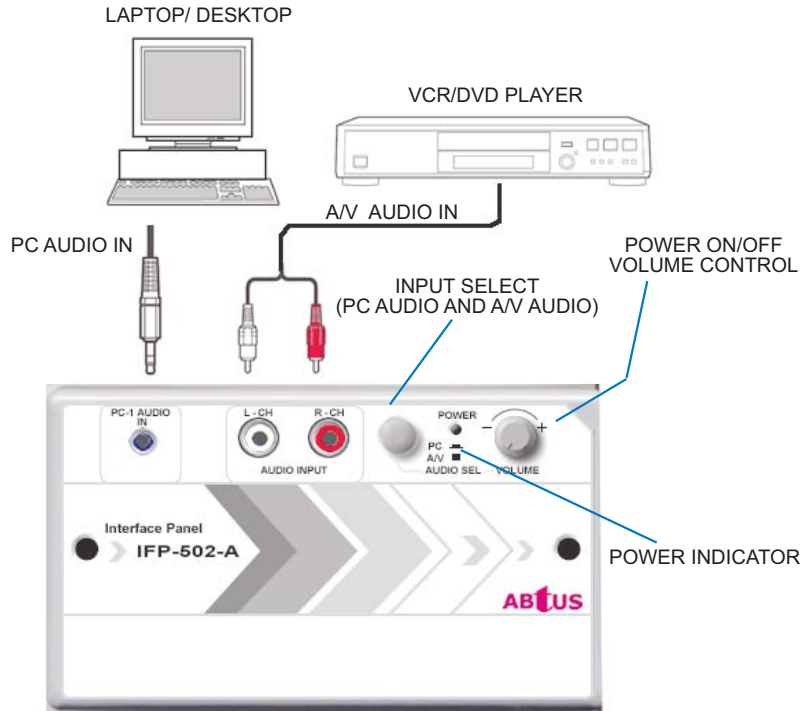
**CAUTION**

- Make sure the positive (+) and negative (-) terminals are in their correct order before connecting the power source.
- Be sure that the unit is at OFF mode before turning ON the main power source.

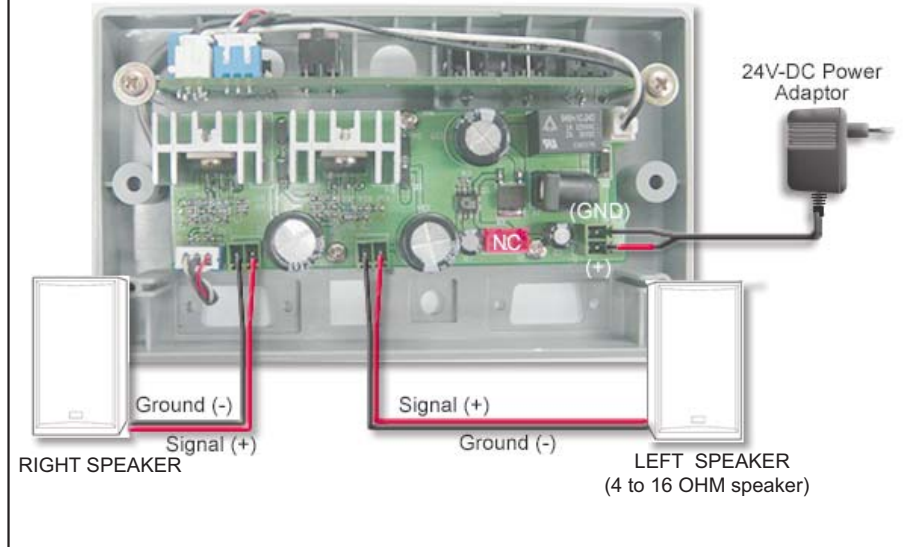
# User Operation Guide

# Installation Guide

## Connecting to Computer and AV Equipment



\* Wiring configuration and connection to Audio and Video equipments.



### Input Terminal

- 1 x PC Audio
- 1 x A/V Audio
- 1 x 3.8mm connector (DC Power IN)

### Output Terminal

- 1 x Stereo Speaker out 3.8mm screw type

### Dimensions (LxWxH)

149 x 88 x 31mm

\* Specifications are subject to changes without notification